

DATA SHEET

Premium Efficiency Motor: **PEWWE25-18-284TZ-GD,**

60 Hz

WorldWide Electric Corporation

1 (800) 808-2131

Worldwideelectric.net



Document Generated: 11-Dec-2023
Document ID:

Customer:

MOTOR INFORMATION	
HP	25
RPM	1800
Phase	3
Frequency	60
Voltage	230/460
Frame Size	284TZ
Enclosure	TEFC
Degree of Protection	IP55
Service Factor	1.25
Poles	4
Full Load Speed	1770
Insulation Class	F
Temp Rise	80°C
NEMA Code Letter	G
Duty Cycle	S1 / Continuous
Slip	1.67%
NEMA Design	B
Moment of Inertia	3.07 lb.ft.^2
Locked Rotor Time (Hot)	15 seconds
Sound Pressure Level	70 dB(A)
Number of Starts	2 Cold / 1 Hot
Max Ambient Temperature	40°C
Max Elevation	1000 m.a.s.l (3300 f.a.s.l)
Mounting	F1
Rotation	Bi-Directional
Area of Classification	Class 1 Division 2 Groups A,B,C,D - T3C
Inverter Rating	10:1 CT / 20:1 VT
Standard	NEMA MG-1
Approvals	CSA, CE

EFFICIENCY/POWER FACTOR		
LOAD	EFF	P. F.
100%	93.6 %	0.85
75%	93.9 %	0.82
50%	93.3 %	0.73

TORQUE		
FULL LOAD	LRT	BDT
74.2 lb.ft.	160 %	240 %

AMPERAGE INFORMATION		
	230V	460V
Full Load Amps	58.8A	29.4A
Locked Rotor Amps	365A	182.5A
No Load Current	21.2A	10.6A

BEARING INFORMATION	
DE Bearing	6311ZZ C3
ODE Bearing	6309ZZ C3

ADDITIONAL DATA	
F2 Suitable	Y
Shaft Material	1045 Carbon Steel
Connection Diagram	230 / 460 V - 12 Lead Δ
Lead Length	72 inches
Approximate Weight	370 lbs.

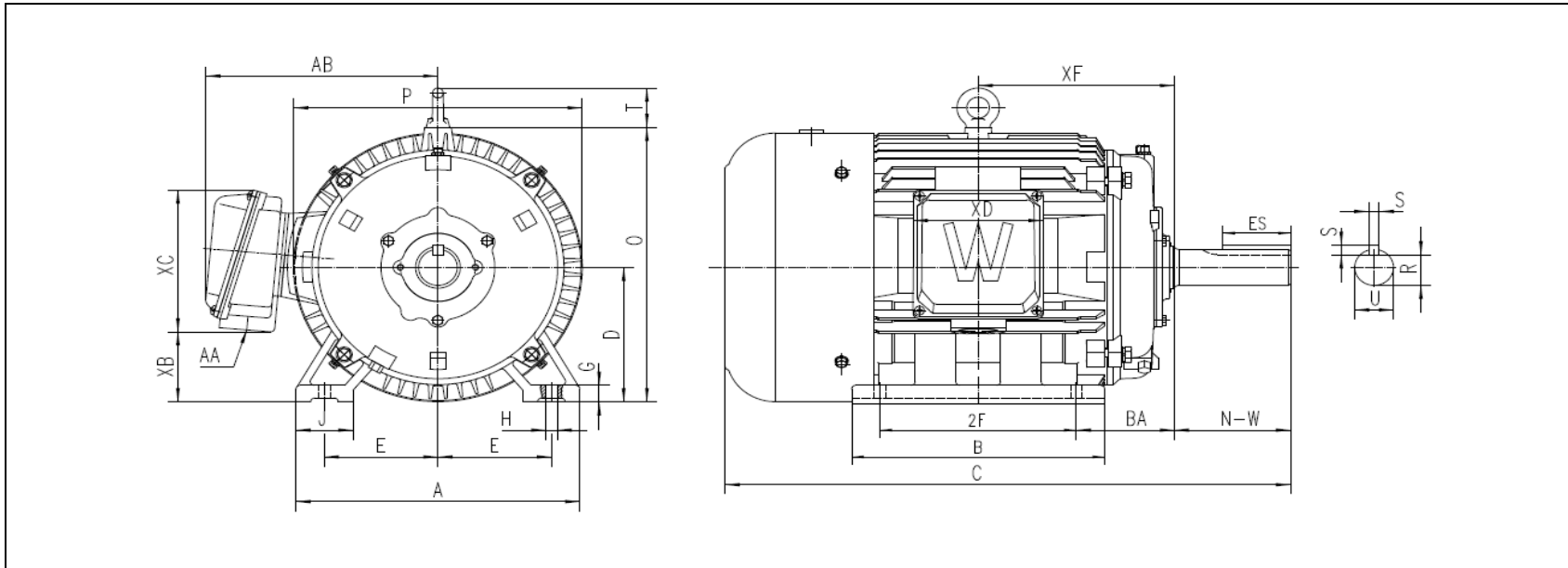
MOTOR DRAWING

Premium Efficiency Motor: **PEWWE25-18-284TZ-GD**

WorldWide Electric Corporation

1 (800) 808-2131

Worldwideelectric.net



DIMENSION - INCHES

MOUNTING					A	B	C	D	G	J	P	O	T	AB
E	2F1	2F2	H	BA										
5.5	--	9.5	0.53	4.75	13.74	12.244	27.362	7	0.866	2.756	13.976	14.283	2.047	11.239

SHAFT & KEY				
S	ES	R	N-W	U
0.5	3.28	1.591	5.62	1.875

TERMINAL BOX				
AA	XB	XC	XD	XE
1-1/2	3.645	7.381	6.299	9.5

PERFORMANCE CURVES

WorldWide Electric Corporation

1 (800) 808-2131

Worldwideelectric.net

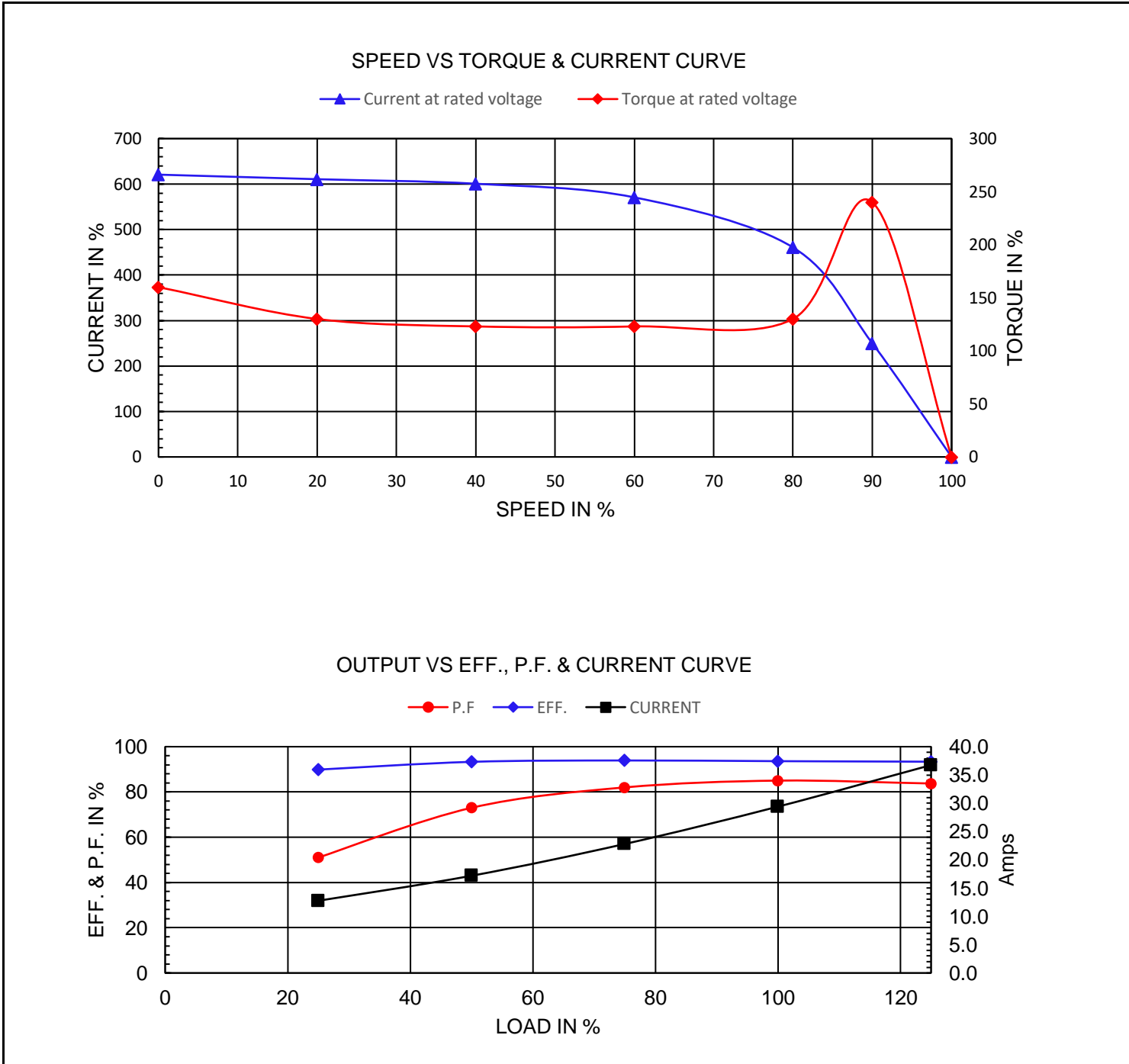


Premium Efficiency Motor:

PEWWE25-18-284TZ-GD

Document Generated:	11-Dec-2023	Customer:	
Document ID:			

Motor Type	PEWWE				
Output Rating (HP)	25		FL Speed	1770	
Full Load Torque	74.2	lb.ft	LRT (%FLT)	160	460 volt FLA 29.4
Rotor Wk ²	3.07	lb-ft ²	BDT (%FLT)	240	230 volt FLA 58.8



NAMEPLATE / WIRING

WorldWide Electric Corporation

1 (800) 808-2131

Worldwideelectric.net

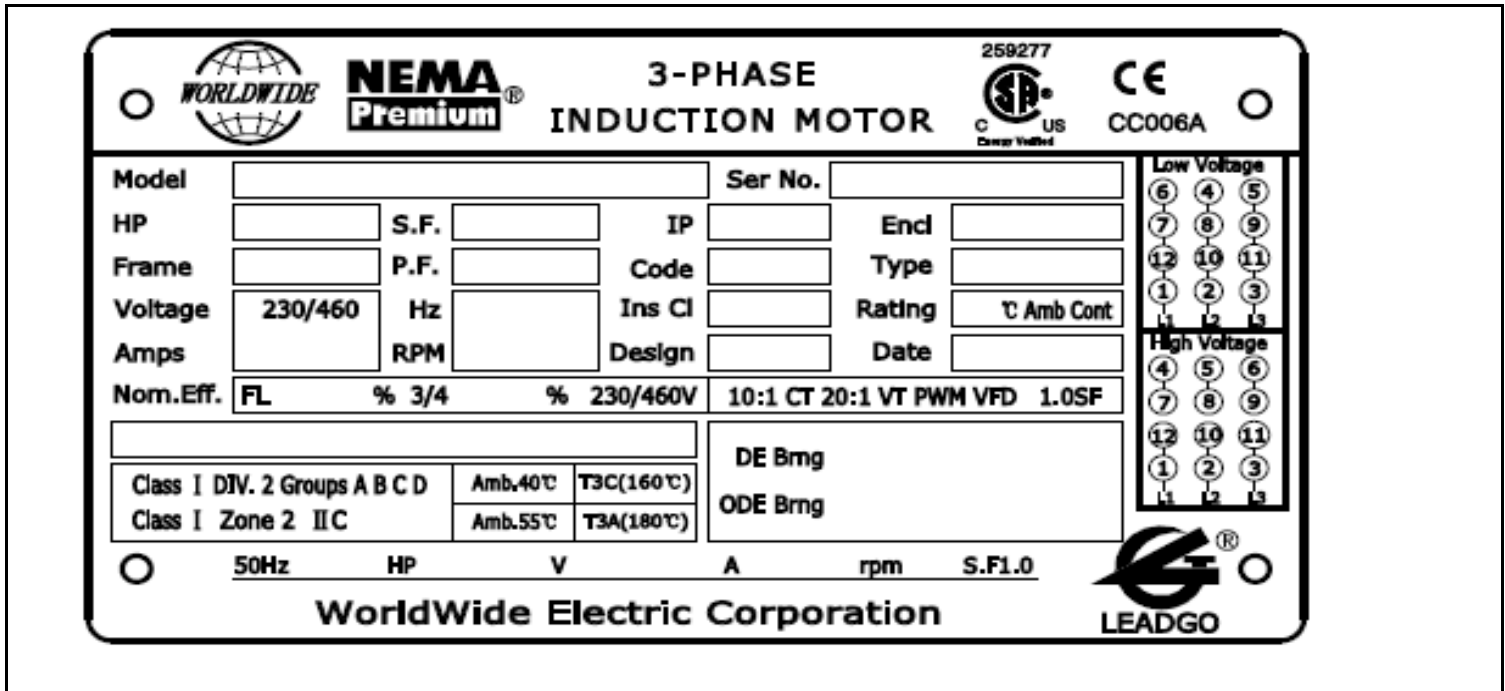


Premium Efficiency Motor: **PEWWE25-18-284TZ-GD**

Document Generated: 11-Dec-2023
Document ID:

Customer:

SAMPLE NAMEPLATE DATA



Model	PEWWE25-18-284TZ-GD						
HP	25	S.F.	1.25	IP	IP55	Encl	TEFC
Frame	284TZ	P.F.	0.85	Code	G	Type	BJPE
Voltage	230/460	Hz	60	Ins Cl	F	Rating	40°C
Amps	58.8/29.4	RPM	1770	Design	B	DE Brng	6311ZZ C3
Nom.Eff.	93.6%	3/4 Eff	93.9%			ODE Brng	6309ZZ C3

50Hz							
HP	25	Volts	200/400	200V FLA	69.5A	RPM	1465
				400V FLA	34.7		