

# DATA SHEET

Premium Efficiency Motor: **PEWWE25-18-575-284T**

**60 Hz**

WorldWide Electric Corporation

1 (800) 808-2131

Worldwideelectric.net



Document Generated: 15-Feb-2023  
Document ID:

Customer:

MOTOR INFORMATION	
HP	25
RPM	1800
Phase	3
Frequency	60 Hz
Voltage	575 V
Frame Size	284T
Enclosure	TEFC
Degree of Protection	IP55
Service Factor	1.25
Poles	4
Full Load Speed	1770
Insulation Class	F
Temp Rise	80°C
NEMA Code Letter	G
Duty Cycle	S1 / Continuous
Slip	1.67%
NEMA Design	B
Moment of Inertia	3.07 lb.ft.^2
Locked Rotor Time (Hot)	15 seconds
Sound Pressure Level	70 dB(A)
Number of Starts	2 Cold/ 1 Hot
Max Ambient Temperature	40°C
Max Elevation	1000 m.a.s.l (3300 f.a.s.l)
Mounting	F1
Rotation	Bi-Directional
Area of Classification	Class I, Division 2, Groups A, B, C, D
Inverter Rating	10:1 CT / 20:1 VT PWM Type
Standard	NEMA MG-1
Approvals	CSA-US, CE

EFFICIENCY/POWER FACTOR		
LOAD	EFF	P. F.
100%	93.6 %	0.85
75%	93.9 %	0.82
50%	93.3 %	0.73

TORQUE		
FULL LOAD	LRT	BDT
74.2 lb.ft.	160 %	240 %

AMPERAGE INFORMATION		
	575V	
Full Load Amps	23.5A	
Locked Rotor Amps	146A	
No Load Current	8.5A	

BEARING INFORMATION	
DE Bearing	6311 C3
ODE Bearing	6309 C3
Grease Type	SKF LGHP 2
DE Regreasing Interval	4000 Hours
ODE Regreasing Interval	5000 Hours

ADDITIONAL DATA	
F2 Suitable	Yes
Shaft Material	1045 Carbon Steel
Connection Diagram	575V - 6 Lead Δ
Approximate Weight	367 lbs.

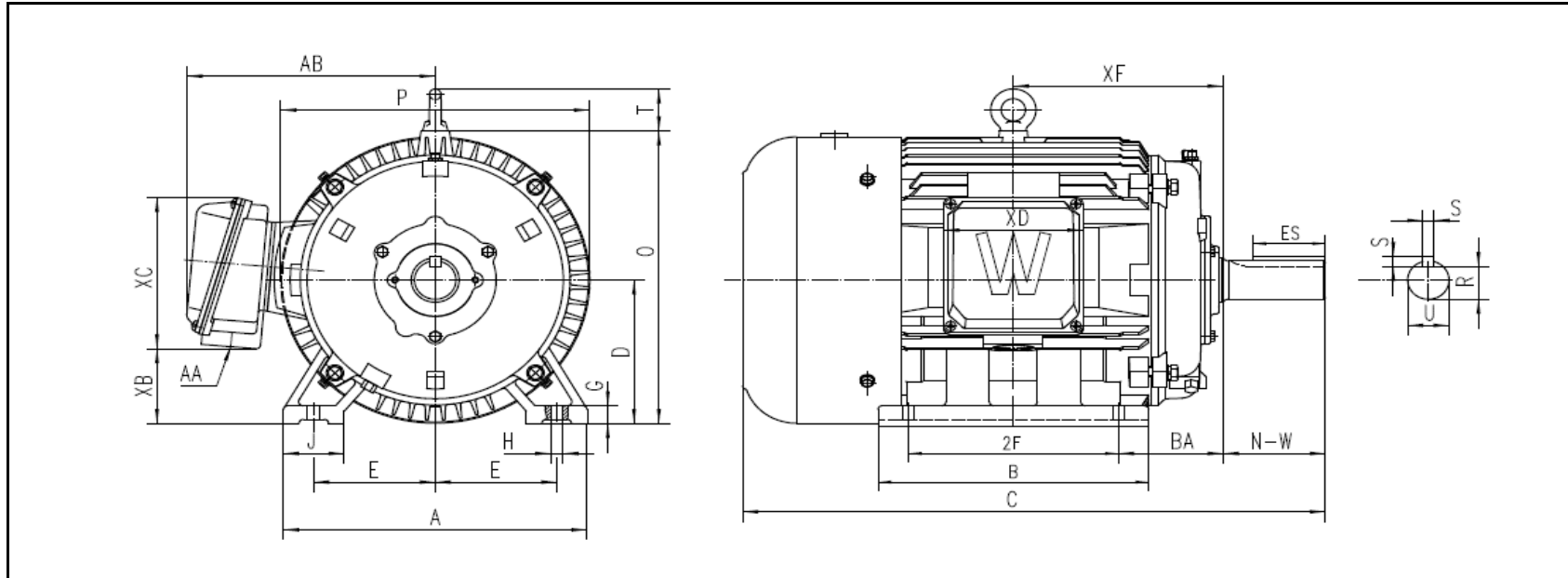
# MOTOR DRAWING

Premium Efficiency Motor: **PEWWE25-18-575-284T**

WorldWide Electric Corporation

1 (800) 808-2131

Worldwideelectric.net



## DIMENSION - INCHES

MOUNTING					A	B	C	D	G	J	P	O	T	AB
E	2F1	2F	H	BA										
5.5	--	9.5	0.53	4.75	13.74	12.244	26.362	7	0.866	2.756	13.976	14.283	2.047	11.239

SHAFT & KEY				
S	ES	R	N-W	U
0.5	3.28	1.591	4.62	1.875

TERMINAL BOX				
AA	XB	XC	XD	XF
1.5	3.645	7.381	6.299	9.5

# PERFORMANCE CURVES

WorldWide Electric Corporation

1 (800) 808-2131

Worldwideelectric.net



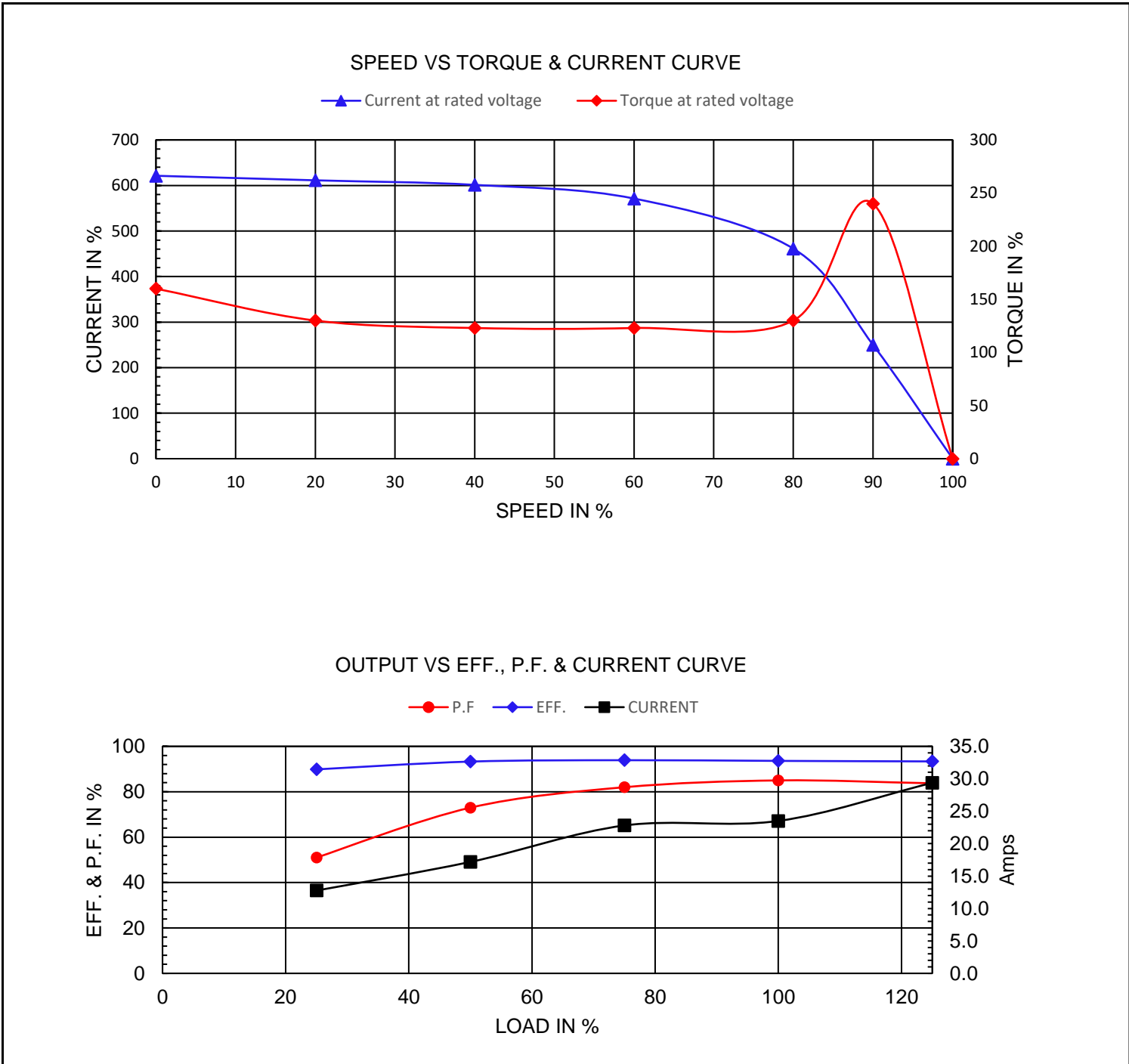
Premium Efficiency Motor:

**PEWWE25-18-575-284T**

Document Generated: 15-Feb-2023  
 Document ID:

Customer:

Motor Type	PEWWE		FL Speed	1770
Output Rating (HP)	25		LRT (%FLT)	160
Full Load Torque	150	lb.ft	BDT (%FLT)	240
Rotor Wk <sup>2</sup>	1.67	lb-ft <sup>2</sup>	575 Volt FLA	23.5A



# NAMEPLATE / WIRING

WorldWide Electric Corporation

1 (800) 808-2131

Worldwideelectric.net



Premium Efficiency Motor: **PEWWE25-18-575-284T**

Document Generated: 15-Feb-2023  
Document ID:

Customer:

## SAMPLE NAMEPLATE DATA

		<b>NEMA Premium</b>		3-PHASE INDUCTION MOTOR		259277	CE	
							CC006A	
Model				Ser No.			Connection	
HP		S.F.		IP		Encl		
Frame		P.F.		Code		Type		
Voltage		Hz		Ins Cl		Rating		°C Amb Cont
Amps		RPM		Design		Date		
Nom. Eff.	FL	% 3/4	%	V	10:1 CT 20:1 VT PWM VFD	1.0SF		
Class I DIV. 2 Groups A B C D		Amb.40°C	T3C(160°C)	DE Brng				
Class I Zone 2 IIC		Amb.55°C	T3A(180°C)	ODE Brng				
				Grease type: LGHP 2 (compatible with polyrex)				
		50Hz	HP	V	A	rpm	S.F.1.0	
<b>WorldWide Electric Corporation</b>								

<b>Model</b>	PEWWE25-18-575-284T						
<b>HP</b>	25	<b>S.F.</b>	1.25	<b>IP</b>	IP55	<b>Encl</b>	TEFC
<b>Frame</b>	284T	<b>P.F.</b>	0.85	<b>Code</b>	G	<b>Amb.</b>	40°C
<b>Voltage</b>	575 V	<b>Hz</b>	60 Hz	<b>Ins Cl</b>	F	<b>DE Brng</b>	6311 C3
<b>Amps</b>	23.5A	<b>RPM</b>	1770	<b>Design</b>	B	<b>ODE Brng</b>	6309 C3
<b>Nom. Eff.</b>	FL	93.6%	3/4	93.9%			

<b>50Hz</b>	<b>25 HP</b>	<b>500 V</b>	<b>27.8 A</b>	<b>1465 RPM</b>
-------------	--------------	--------------	---------------	-----------------