

DATA SHEET

Premium Efficiency Motor: **PEWWE25-36-284TS**

60 Hz

WorldWide Electric Corporation

1 (800) 808-2131

Worldwideelectric.net



Document Generated: 31-Jul-2023

Document ID:

Customer:

MOTOR INFORMATION

HP	25
RPM	3600
Phase	3
Frequency	60 Hz
Voltage	230/460 V
Frame Size	284TS
Enclosure	TEFC
Degree of Protection	IP55
Service Factor	1.25
Poles	2
Full Load Speed	3550
Insulation Class	F
Temp Rise	80°C
NEMA Code Letter	G
Duty Cycle	S1 / Continuous
Slip	1.40%
NEMA Design	B
Moment of Inertia	1.4 lb.ft.^2
Locked Rotor Time (Hot)	19 seconds
Sound Pressure Level	75 dB(A)
Number of Starts	2 Cold/ 1 Hot
Max Ambient Temperature	40°C
Max Elevation	1000 m.a.s.l (3300 f.a.s.l)
Mounting	F1
Rotation	Bi-Directional
Area of Classification	Class 1 Division 2 Groups A,B,C,D T3C(160°C)
Inverter Rating	10:1 CT / 20:1 VT PWM Type
Standard	NEMA MG-1
Approvals	CSA-US, CE

EFFICIENCY/POWER FACTOR

LOAD	EFF	P. F.
100%	91.7 %	0.87
75%	92.1 %	0.84
50%	91.5 %	0.77

TORQUE

FULL LOAD	LRT	BDT
37 lb.ft.	150 %	230 %

AMPERAGE INFORMATION

	230V	460V
Full Load Amps	58.7A	29.3A
Locked Rotor Amps	365A	182.5A
No Load Current	17A	8.5A
Usable at 208V	64.9A	

BEARING INFORMATION

DE Bearing	6311 C3
ODE Bearing	6309 C3
Grease Type	SKF LGHP 2
DE Regreasing Interval	2400 Hours
ODE Regreasing Interval	3000 Hours

ADDITIONAL DATA

F2 Suitable	Yes
Shaft Material	1045 Carbon Steel
Connection Diagram	230 / 460 V - 12 Lead Δ
Approximate Weight	332 lbs.

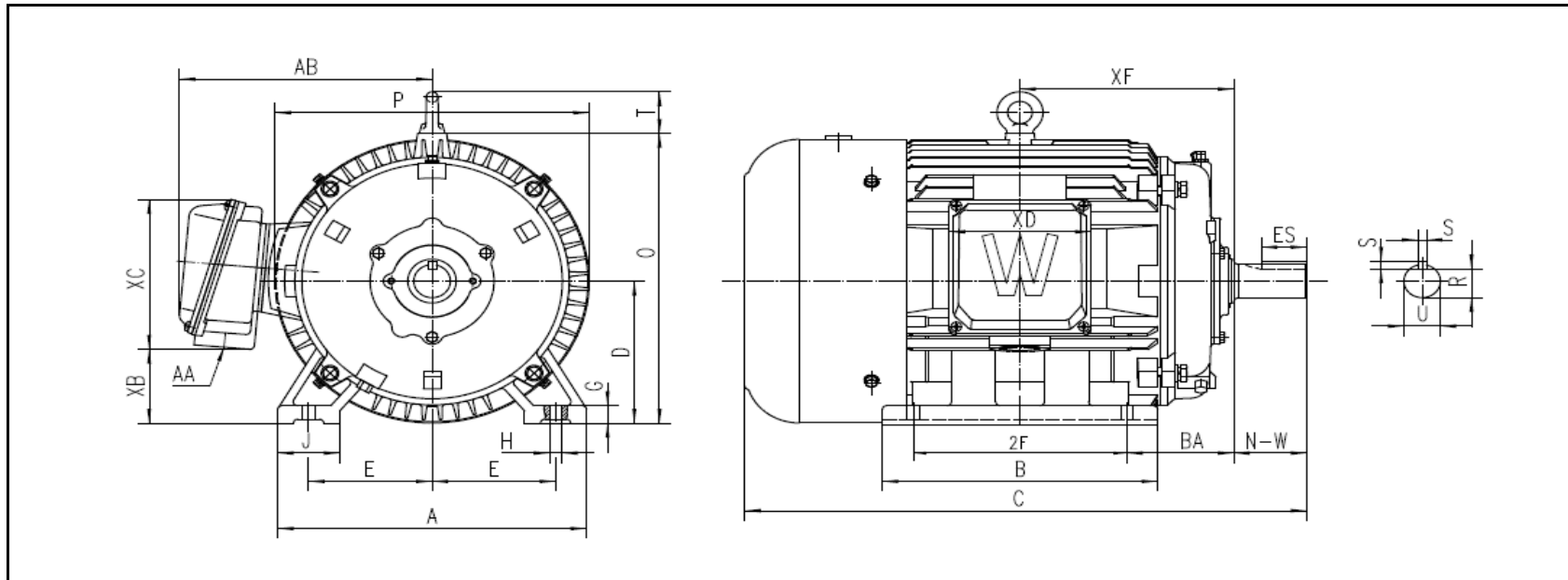
MOTOR DRAWING

Premium Efficiency Motor: **PEWWE25-36-284TS**

WorldWide Electric Corporation

1 (800) 808-2131

Worldwideelectric.net



DIMENSION - INCHES

MOUNTING					A	B	C	D	G	J	P	O	T	AB
E	2F1	2F	H	BA										
5.5	--	9.5	0.53	4.75	13.74	12.244	24.996	7	0.866	2.756	13.976	14.283	2.047	11.239

SHAFT & KEY				
S	ES	R	N-W	U
0.375	1.91	1.416	3.25	1.625

TERMINAL BOX				
AA	XB	XC	XD	XF
1.5	3.645	7.381	6.299	9.5

PERFORMANCE CURVES

WorldWide Electric Corporation

1 (800) 808-2131

Worldwideelectric.net



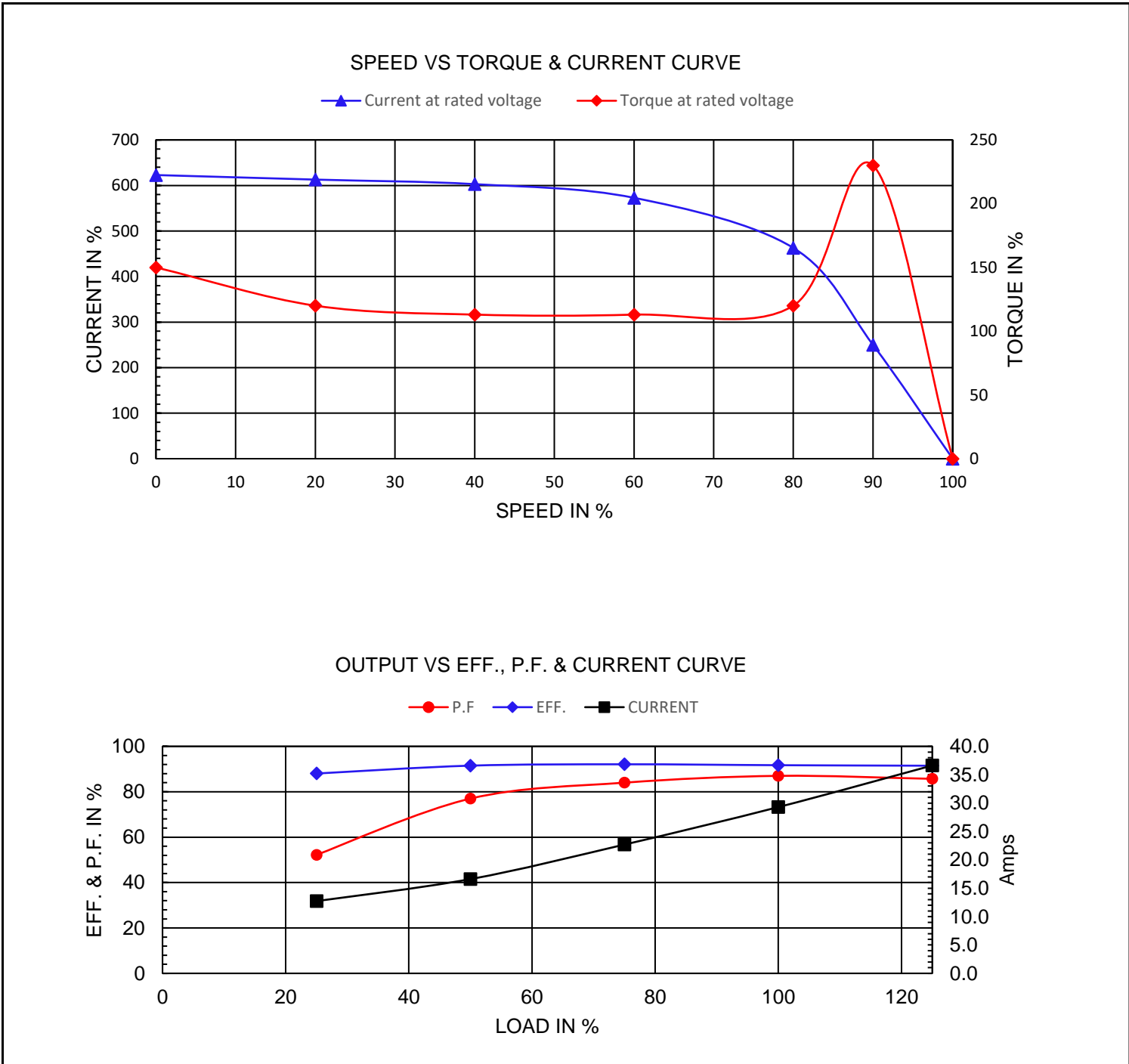
Premium Efficiency Motor:

PEWWE25-36-284TS

Document Generated: 31-Jul-2023
 Document ID:

Customer:

Motor Type	PEWWE		FL Speed	3550		
Output Rating (HP)	25		LRT (%FLT)	150	460 volt FLA	29.3 A
Full Load Torque	37	lb.ft	BDT (%FLT)	230	230 volt FLA	58.7 A
Rotor Wk ²	1.4	lb-ft ²				



NAMEPLATE / WIRING

WorldWide Electric Corporation

1 (800) 808-2131

Worldwideelectric.net



Premium Efficiency Motor:

PEWWE25-36-284TS

Document Generated: 31-Jul-2023
Document ID:

Customer:

SAMPLE NAMEPLATE DATA

		NEMA Premium		3-PHASE INDUCTION MOTOR		259277 		CC006A																																				
Model	<input type="text"/>	Ser No.	<input type="text"/>	<table border="1"> <tr> <td colspan="3">Low Voltage</td> </tr> <tr> <td>6</td> <td>4</td> <td>5</td> </tr> <tr> <td>7</td> <td>8</td> <td>9</td> </tr> <tr> <td>12</td> <td>10</td> <td>11</td> </tr> <tr> <td>1</td> <td>2</td> <td>3</td> </tr> <tr> <td>L1</td> <td>L2</td> <td>L3</td> </tr> <tr> <td colspan="3">High Voltage</td> </tr> <tr> <td>4</td> <td>5</td> <td>6</td> </tr> <tr> <td>7</td> <td>8</td> <td>9</td> </tr> <tr> <td>12</td> <td>10</td> <td>11</td> </tr> <tr> <td>1</td> <td>2</td> <td>3</td> </tr> <tr> <td>L1</td> <td>L2</td> <td>L3</td> </tr> </table>					Low Voltage			6	4	5	7	8	9	12	10	11	1	2	3	L1	L2	L3	High Voltage			4	5	6	7	8	9	12	10	11	1	2	3	L1	L2	L3
Low Voltage																																												
6	4	5																																										
7	8	9																																										
12	10	11																																										
1	2	3																																										
L1	L2	L3																																										
High Voltage																																												
4	5	6																																										
7	8	9																																										
12	10	11																																										
1	2	3																																										
L1	L2	L3																																										
HP	<input type="text"/>	S.F.	<input type="text"/>	IP	<input type="text"/>	Encl	<input type="text"/>																																					
Frame	<input type="text"/>	P.F.	<input type="text"/>	Code	<input type="text"/>	Type	<input type="text"/>																																					
Voltage	230/460	Hz	<input type="text"/>	Ins Cl	<input type="text"/>	Rating	°C Amb Cont																																					
Amps	<input type="text"/>	RPM	<input type="text"/>	Design	<input type="text"/>	Date	<input type="text"/>																																					
Nom. Eff.	FL	% 3/4	% 230/460V	10:1 CT	20:1 VT	PWM VFD	1.0SF																																					
<table border="1"> <tr> <td>Class I DIV. 2 Groups A B C D</td> <td>Amb.40°C</td> <td>T3C(160°C)</td> </tr> <tr> <td>Class I Zone 2 IIC</td> <td>Amb.55°C</td> <td>T3A(180°C)</td> </tr> </table>				Class I DIV. 2 Groups A B C D	Amb.40°C	T3C(160°C)	Class I Zone 2 IIC	Amb.55°C	T3A(180°C)	DE Brng ODE Brng Grease type: LGHP 2 (compatible with polyrex)																																		
Class I DIV. 2 Groups A B C D	Amb.40°C	T3C(160°C)																																										
Class I Zone 2 IIC	Amb.55°C	T3A(180°C)																																										
50Hz		HP	V	A	rpm	S.F1.0																																						
WorldWide Electric Corporation																																												

Model

HP S.F. IP Encl

Frame P.F. Code Type

Voltage Hz Ins Cl Ambient

Amps RPM Design DE Brng 6311 C3

Nom. Eff. ODE Brng 6309 C3

Grease type: SKF LGHP 2