

DATA SHEET

Premium Efficiency Motor: **PEWWE3-18-182TC**

60 Hz

WorldWide Electric Corporation

1 (800) 808-2131

Worldwideelectric.net



Document Generated: 1-Aug-2023

Document ID:

Customer:

MOTOR INFORMATION

HP	3
RPM	1800
Phase	3
Frequency	60 Hz
Voltage	230/460 V
Frame Size	182TC
Enclosure	TEFC
Degree of Protection	IP55
Service Factor	1.25
Poles	4
Full Load Speed	1755
Insulation Class	F
Temp Rise	80°C
NEMA Code Letter	K
Duty Cycle	S1 / Continuous
Slip	2.50%
NEMA Design	B
Moment of Inertia	0.217 lb.ft.^2
Locked Rotor Time (Hot)	12 seconds
Sound Pressure Level	63 dB(A)
Number of Starts	2 Cold/ 1 Hot
Max Ambient Temperature	40°C
Max Elevation	1000 m.a.s.l (3300 f.a.s.l)
Mounting	F1
Rotation	Bi-Directional
Area of Classification	Class 1 Division 2 Groups A,B,C,D T3C(160°C)
Inverter Rating	10:1 CT / 20:1 VT PWM Type
Standard	NEMA MG-1
Approvals	CSA-US, CE

EFFICIENCY/POWER FACTOR

LOAD	EFF	P. F.
100%	89.5 %	0.77
75%	89.7 %	0.69
50%	88.0 %	0.56

TORQUE

FULL LOAD	LRT	BDT
9 lb.ft.	220 %	320 %

AMPERAGE INFORMATION

	230V	460V
Full Load Amps	8.15A	4.08A
Locked Rotor Amps	64A	32A
No Load Current	5A	2.5A
Usable at 208V	9.01A	

BEARING INFORMATION

DE Bearing	6206ZZ C3
ODE Bearing	6206ZZ C3
Grease Type	--
DE Regreasing Interval	- Hours
ODE Regreasing Interval	- Hours

ADDITIONAL DATA

F2 Suitable	Yes
Shaft Material	1045 Carbon Steel
Connection Diagram	230 / 460 V - 9 Lead Y
Approximate Weight	83.5 lbs.

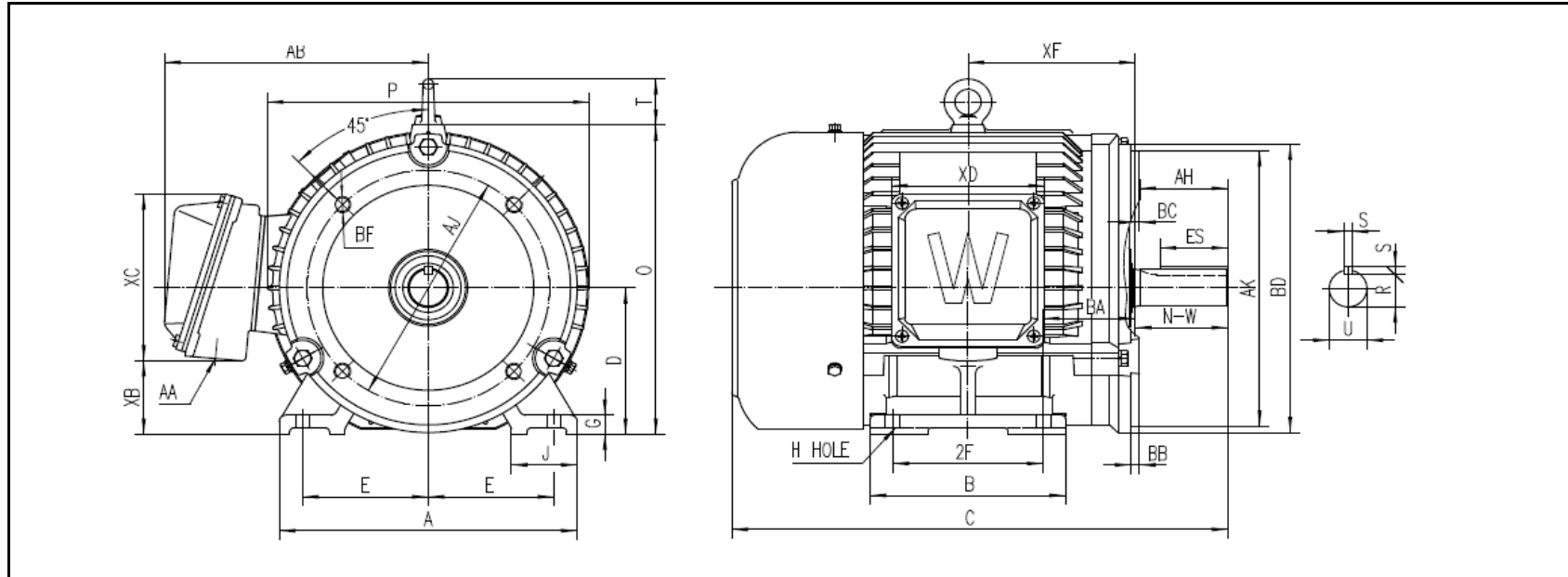
MOTOR DRAWING

Premium Efficiency Motor: **PEWWE3-18-182TC**

WorldWide Electric Corporation

1 (800) 808-2131

Worldwideelectric.net



DIMENSION - INCHES

MOUNTING					A	B	C	D	G	J	P	O	T	AB
E	2F1	2F	H	BA										
3.75	-	4.5	0.41	2.75	8.898	5.827	14.803	4.5	0.591	1.969	9.606	9.5	1.417	7.876

SHAFT & KEY					
S	ES	R	N-W	AH	U
0.25	1.78	0.986	2.75	2.62	1.125

TERMINAL BOX				
AA	XB	XC	XD	XF
1	2.26	5.124	4.567	4.997

FLANGE					
AJ	AK	BB	BD	BF	BC
7.25	8.5	0.25	8.86	1/2-13	0.12

PERFORMANCE CURVES

WorldWide Electric Corporation

1 (800) 808-2131

Worldwideelectric.net



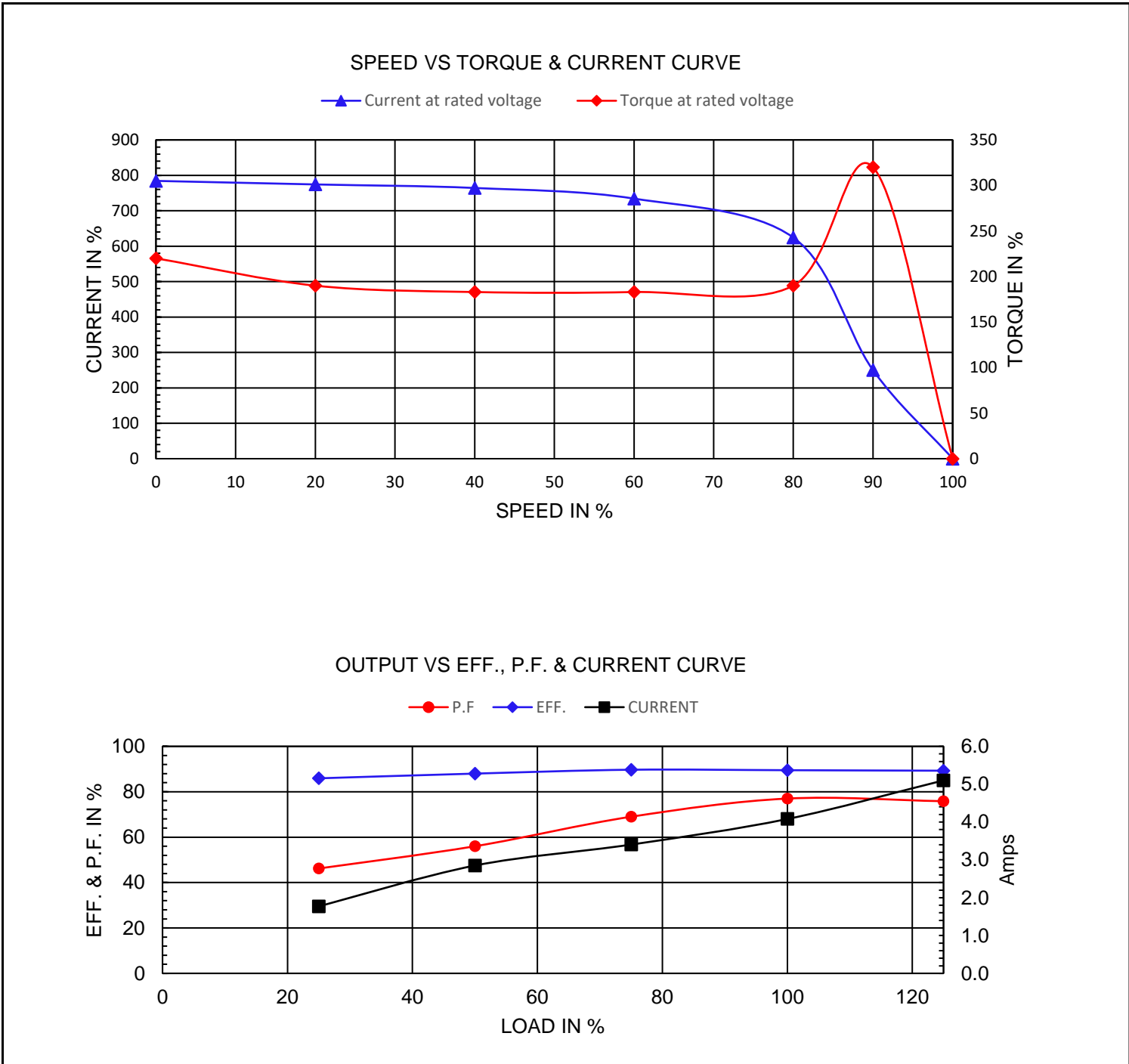
Premium Efficiency Motor:

PEWWE3-18-182TC

Document Generated: 1-Aug-2023
 Document ID:

Customer:

Motor Type	PEWWE		FL Speed	1755	
Output Rating (HP)	3		LRT (%FLT)	220	460 volt FLA 4.08
Full Load Torque	9	lb.ft	BDT (%FLT)	320	230 volt FLA 8.15
Rotor Wk^2	0.217	lb-ft^2			



NAMEPLATE / WIRING

Premium Efficiency Motor: **PEWWE3-18-182TC**

WorldWide Electric Corporation

1 (800) 808-2131

Worldwideelectric.net



Document Generated: 1-Aug-2023
Document ID:

Customer:

SAMPLE NAMEPLATE DATA

		NEMA Premium		3-PHASE INDUCTION MOTOR		259277		CE	CC006A																														
Model			Ser No.			<table border="1"> <tr> <td colspan="3">Low Voltage</td> </tr> <tr> <td>4</td><td>5</td><td>6</td> </tr> <tr> <td>7</td><td>8</td><td>9</td> </tr> <tr> <td>1</td><td>2</td><td>3</td> </tr> <tr> <td>L1</td><td>L2</td><td>L3</td> </tr> <tr> <td colspan="3">High Voltage</td> </tr> <tr> <td>4</td><td>5</td><td>6</td> </tr> <tr> <td>7</td><td>8</td><td>9</td> </tr> <tr> <td>1</td><td>2</td><td>3</td> </tr> <tr> <td>L1</td><td>L2</td><td>L3</td> </tr> </table>				Low Voltage			4	5	6	7	8	9	1	2	3	L1	L2	L3	High Voltage			4	5	6	7	8	9	1	2	3	L1	L2	L3
Low Voltage																																							
4	5	6																																					
7	8	9																																					
1	2	3																																					
L1	L2	L3																																					
High Voltage																																							
4	5	6																																					
7	8	9																																					
1	2	3																																					
L1	L2	L3																																					
HP	S.F.	IP	Encl																																				
Frame	P.F.	Code	Type																																				
Voltage	230/460	Hz	Ins Cl	Rating	°C Amb Cont																																		
Amps		RPM	Design	Date																																			
Nom.Eff.	FL	% 3/4	% 230/460V	10:1 CT	20:1 VT	PWM	VFD	1.0SF																															
Class I DIV. 2 Groups A B C D			Amb.40°C	T3C(160°C)	DE Brng																																		
Class I Zone 2 IIC			Amb.55°C	T3A(180°C)	ODE Brng																																		
			Grease type:																																				
50Hz	HP	V	A	rpm	S.F1.0																																		
WorldWide Electric Corporation																																							

Model	PEWWE3-18-182TC									
HP	3	S.F.	1.25	IP	IP55	Encl	TEFC			
Frame	182TC	P.F.	0.77	Code	K	Type				
Voltage	230/460 V	Hz	60 Hz	Ins Cl	F	Ambient	40°C			
Amps	8.15/4.08	RPM	1755	Design	B	DE Brng	6206ZZ C3			
Nom.Eff.	FL	89.5%	3/4	89.7%	ODE Brng		6206ZZ C3			
Class 1 Division 2 Groups A,B,C,D					T3C(160°C)		Grease type: --			
50Hz	3 HP	200/400 V	9.95/4.98 A	1450 rpm						