

DATA SHEET

Premium Efficiency Motor: **PEWWE3-18-182TZ-GD,**

60 Hz

WorldWide Electric Corporation

1 (800) 808-2131

Worldwideelectric.net



Document Generated: 11-Dec-2023
Document ID:

Customer:

MOTOR INFORMATION	
HP	3
RPM	1800
Phase	3
Frequency	60
Voltage	230/460
Frame Size	182TZ
Enclosure	TEFC
Degree of Protection	IP55
Service Factor	1.25
Poles	4
Full Load Speed	1755
Insulation Class	F
Temp Rise	80°C
NEMA Code Letter	K
Duty Cycle	S1 / Continuous
Slip	2.50%
NEMA Design	B
Moment of Inertia	0.217 lb.ft.^2
Locked Rotor Time (Hot)	12 seconds
Sound Pressure Level	63 dB(A)
Number of Starts	2 Cold / 1 Hot
Max Ambient Temperature	40°C
Max Elevation	1000 m.a.s.l (3300 f.a.s.l)
Mounting	F1
Rotation	Bi-Directional
Area of Classification	Class 1 Division 2 Groups A,B,C,D - T3C
Inverter Rating	10:1 CT / 20:1 VT
Standard	NEMA MG-1
Approvals	CSA, CE

EFFICIENCY/POWER FACTOR		
LOAD	EFF	P. F.
100%	89.5 %	0.77
75%	89.7 %	0.69
50%	88.0 %	0.56

TORQUE		
FULL LOAD	LRT	BDT
9 lb.ft.	220 %	390 %

AMPERAGE INFORMATION		
	230V	460V
Full Load Amps	8.15A	4.08A
Locked Rotor Amps	64A	32A
No Load Current	5A	2.5A

BEARING INFORMATION	
DE Bearing	6206ZZ C3
ODE Bearing	6206ZZ C3

ADDITIONAL DATA	
F2 Suitable	Y
Shaft Material	1045 Carbon Steel
Connection Diagram	230 / 460 V - 9 Lead Y
Lead Length	72 inches
Approximate Weight	84.5 lbs.

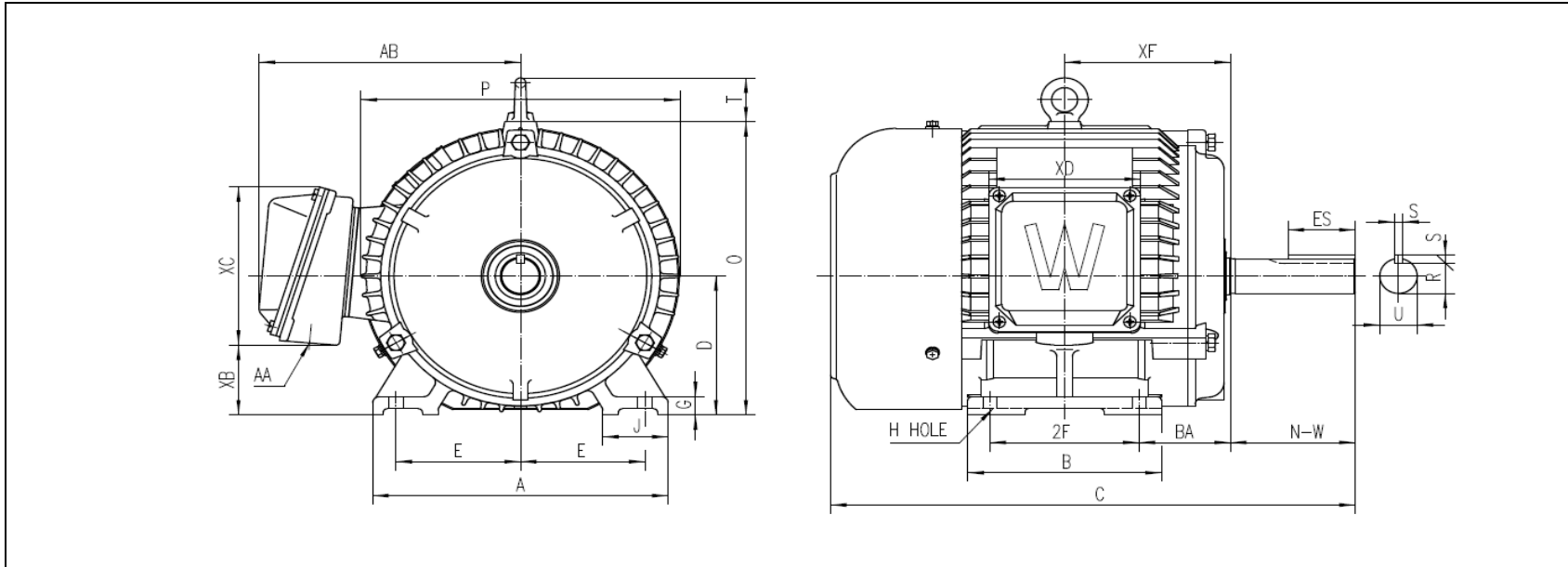
MOTOR DRAWING

Premium Efficiency Motor: **PEWWE3-18-182TZ-GD**

WorldWide Electric Corporation

1 (800) 808-2131

Worldwideelectric.net



DIMENSION - INCHES

MOUNTING					A	B	C	D	G	J	P	O	T	AB
E	2F1	2F2	H	BA										
3.75	-	4.5	0.41	2.75	8.898	5.827	18.803	4.5	0.591	1.969	9.606	9.5	1.417	7.876

SHAFT & KEY				
S	ES	R	N-W	U
0.25	1.78	0.986	3.75	1.125

TERMINAL BOX				
AA	XB	XC	XD	XE
1	2.26	5.124	4.567	4.997

PERFORMANCE CURVES

WorldWide Electric Corporation

1 (800) 808-2131

Worldwideelectric.net

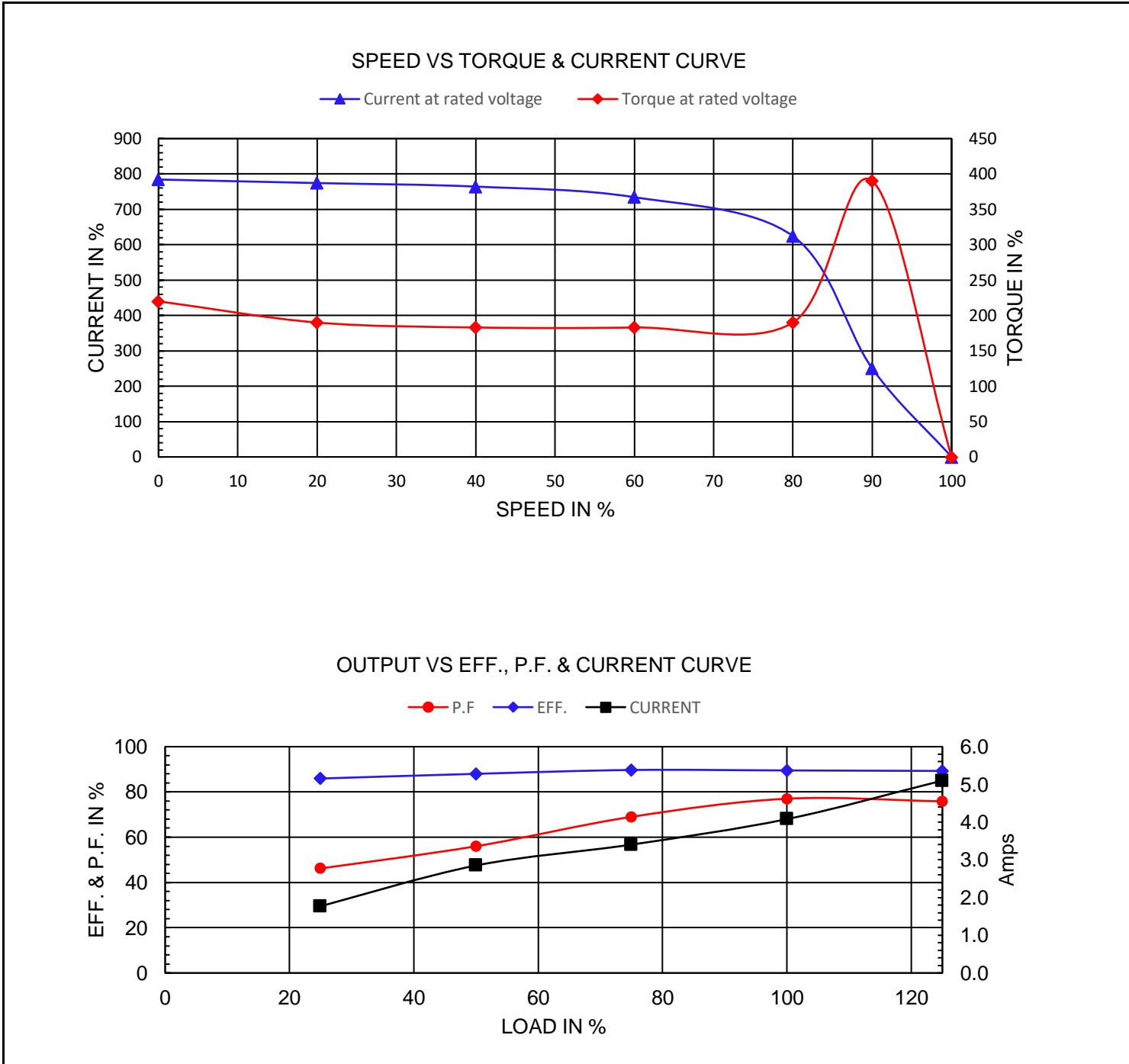


Premium Efficiency Motor:

PEWWE3-18-182TZ-GD

Document Generated:	11-Dec-2023	Customer:	
Document ID:			

Motor Type	PEWWE				
Output Rating (HP)	3	FL Speed	1755		
Full Load Torque	9 lb.ft	LRT (%FLT)	220	460 volt FLA	4.08
Rotor Wk ²	0.217 lb-ft ²	BDT (%FLT)	390	230 volt FLA	8.15



NAMEPLATE / WIRING

Premium Efficiency Motor: **PEWWE3-18-182TZ-GD**

WorldWide Electric Corporation

1 (800) 808-2131

Worldwideelectric.net



Document Generated: 11-Dec-2023
Document ID:

Customer:

SAMPLE NAMEPLATE DATA

		NEMA Premium		3-PHASE INDUCTION MOTOR		259277			CC006A
Model				Ser No.				Low Voltage 4-5-6 7-8-9 1-2-3 L1 L2 L3	
HP	S.F.			IP			Encl		
Frame	P.F.			Code			Type		
Voltage	230/460	Hz			Ins Cl			Rating	°C Amb Cont
Amps	RPM				Design			Date	
Nom.Eff.	FL	% 3/4	%	230/460V	10:1 CT 20:1 VT PWM VFD		1.0SF		High Voltage 4-5-6 7-8-9 1-2-3 L1 L2 L3
				DE Brng					
Class I DIV. 2 Groups A B C D				Amb.40°C	T3C(160°C)	ODE Brng			
Class I Zone 2 IIC				Amb.55°C	T3A(180°C)	Grease type:			
50Hz		HP	V	A	rpm	S.F1.0			
WorldWide Electric Corporation									

Model	PEWWE3-18-182TZ-GD						
HP	3	S.F.	1.25	IP	IP55	Encl	TEFC
Frame	182TZ	P.F.	0.77	Code	K	Type	BJPE
Voltage	230/460	Hz	60	Ins Cl	F	Rating	40°C
Amps	8.15/4.08	RPM	1755	Design	B	DE Brng	6206ZZ C3
Nom.Eff.	89.5%	3/4 Eff	89.7%			ODE Brng	6206ZZ C3
50Hz							
HP	3	Volts	200/400	200V FLA	9.95A	RPM	1450
				400V FLA	4.98		