

DATA SHEET

Premium Efficiency Motor: **PEWWE3-36-145TC**

60 Hz

WorldWide Electric Corporation

1 (800) 808-2131

Worldwideelectric.net



Document Generated: 8-Nov-2023

Document ID:

Customer:

MOTOR INFORMATION

HP	3
RPM	3600
Phase	3
Frequency	60 Hz
Voltage	230/460 V
Frame Size	145TC
Enclosure	TEFC
Degree of Protection	IP55
Service Factor	1.15
Poles	2
Full Load Speed	3490
Insulation Class	F
Temp Rise	80°C
NEMA Code Letter	K
Duty Cycle	S1 / Continuous
Slip	3.05%
NEMA Design	B
Moment of Inertia	0.064 lb.ft.^2
Locked Rotor Time (Hot)	3 seconds
Sound Pressure Level	63 dB(A)
Number of Starts	2 Cold/ 1 Hot
Max Ambient Temperature	40°C
Max Elevation	1000 m.a.s.l (3300 f.a.s.l)
Mounting	F1
Rotation	Bi-Directional
Area of Classification	Class 1 Division 2 Groups A,B,C,D T3C(160°C)
Inverter Rating	10:1 CT / 20:1 VT PWM Type
Standard	NEMA MG-1
Approvals	CSA-US, CE

EFFICIENCY/POWER FACTOR

LOAD	EFF	P. F.
100%	86.5 %	0.85
75%	87.4 %	0.78
50%	87.2 %	0.66

TORQUE

FULL LOAD	LRT	BDT
4.51 lb.ft.	260 %	340 %

AMPERAGE INFORMATION

	230V	460V
Full Load Amps	7.64A	3.82A
Locked Rotor Amps	64A	32A
No Load Current	3.52A	1.76A
Usable at 208V	8.45A	

BEARING INFORMATION

DE Bearing	6205ZZ C3
ODE Bearing	6205ZZ C3
Grease Type	--
DE Regreasing Interval	- Hours
ODE Regreasing Interval	- Hours

ADDITIONAL DATA

F2 Suitable	No
Shaft Material	1045 Carbon Steel
Connection Diagram	230 / 460 V - 9 Lead Y
Approximate Weight	56.5 lbs.

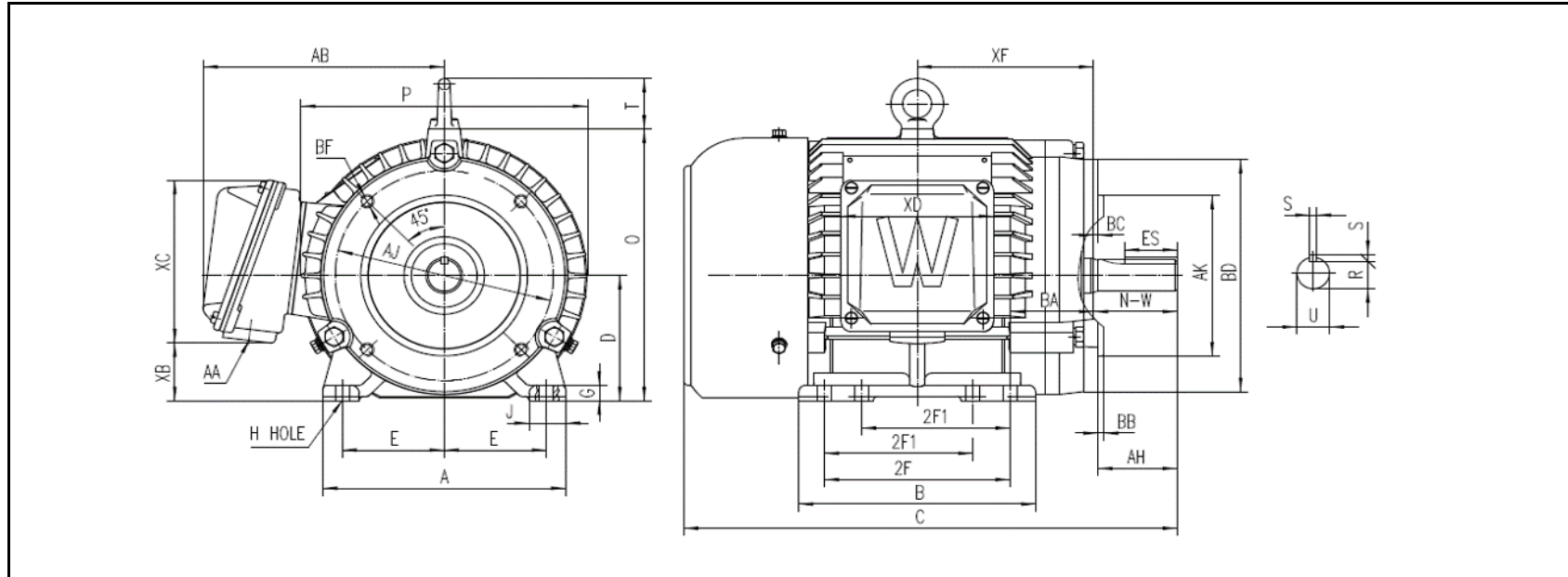
MOTOR DRAWING

Premium Efficiency Motor: **PEWWE3-36-145TC**

WorldWide Electric Corporation

1 (800) 808-2131

Worldwideelectric.net



DIMENSION - INCHES

MOUNTING					A	B	C	D	G	J	P	O	T	AB
E	2F1	2F	H	BA										
2.75	4	5	0.34	2.25	6.535	6.378	13.276	3.5	0.433	0.984	7.717	7.6	1.417	6.491

SHAFT & KEY					
S	ES	R	N-W	AH	U
0.188	1.41	0.771	2.25	2.12	0.875

TERMINAL BOX				
AA	XB	XC	XD	XF
3/4	1.61	4.55	4.094	4.748

FLANGE					
AJ	AK	BB	BD	BF	BC
5.875	4.5	0.16	6.496	3/8-16	0.12

PERFORMANCE CURVES

WorldWide Electric Corporation

1 (800) 808-2131

Worldwideelectric.net

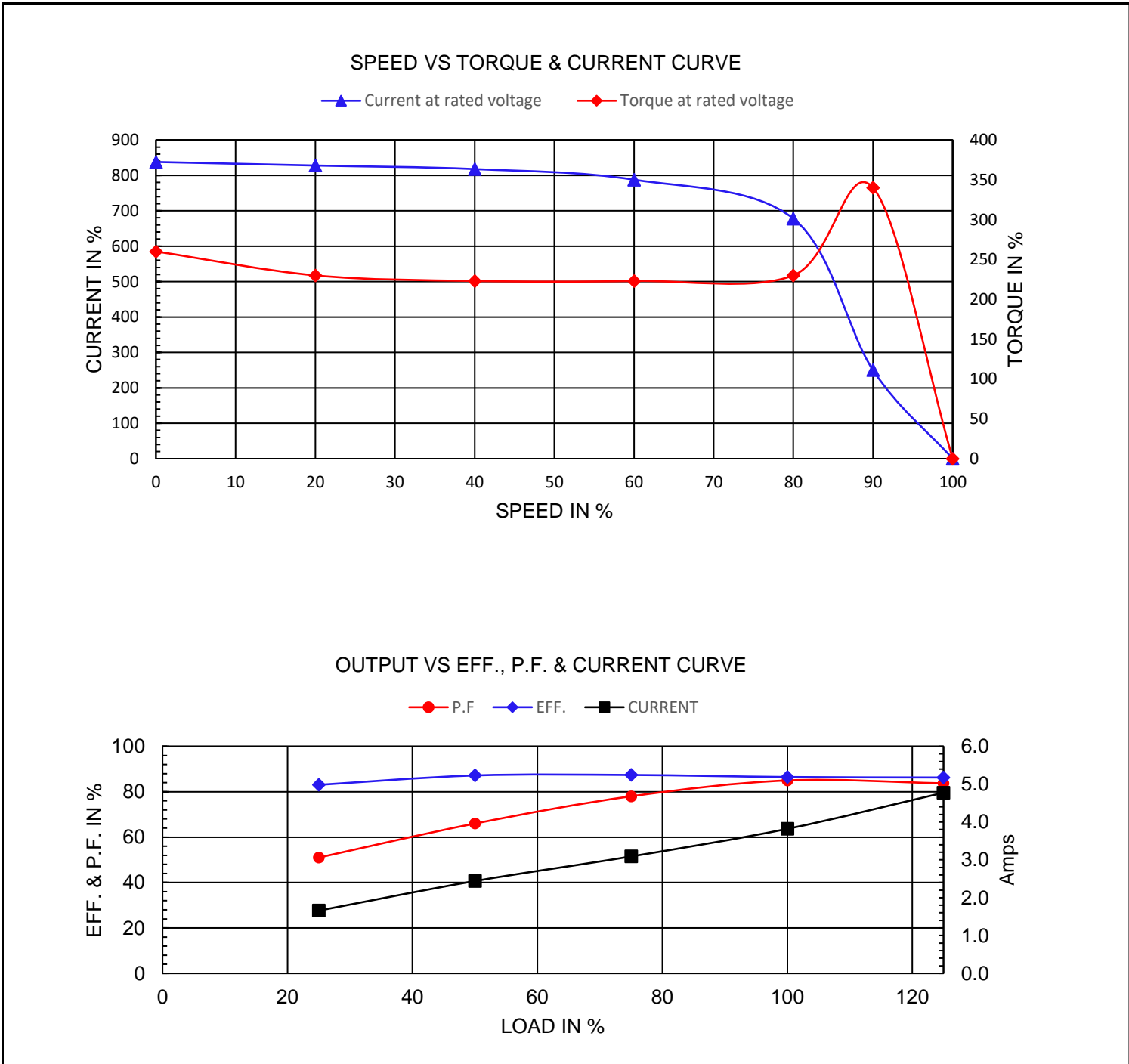


Premium Efficiency Motor:

PEWWE3-36-145TC

Document Generated:	8-Nov-2023	Customer:	
Document ID:			

Motor Type	PEWWE		
Output Rating (HP)	3	FL Speed	3490
Full Load Torque	4.51 lb.ft	LRT (%FLT)	260 460 volt FLA 3.82
Rotor Wk ²	0.064 lb-ft ²	BDT (%FLT)	340 230 volt FLA 7.64



NAMEPLATE / WIRING

WorldWide Electric Corporation

1 (800) 808-2131

Worldwideelectric.net



WORLDWIDE
ELECTRIC CORPORATION

Premium Efficiency Motor:

PEWWE3-36-145TC

Document Generated: 8-Nov-2023
Document ID:

Customer:

SAMPLE NAMEPLATE DATA

		NEMA Premium		3-PHASE INDUCTION MOTOR		259277		CE	CC006A												
Model		Ser No.		Low Voltage		<table border="1"> <tr><td>4</td><td>5</td><td>6</td></tr> <tr><td>7</td><td>8</td><td>9</td></tr> <tr><td>1</td><td>2</td><td>3</td></tr> <tr><td>L1</td><td>L2</td><td>L3</td></tr> </table>				4	5	6	7	8	9	1	2	3	L1	L2	L3
4	5	6																			
7	8	9																			
1	2	3																			
L1	L2	L3																			
HP		S.F.		IP		Encl		High Voltage													
Frame		P.F.		Code		Type		<table border="1"> <tr><td>4</td><td>5</td><td>6</td></tr> <tr><td>7</td><td>8</td><td>9</td></tr> <tr><td>1</td><td>2</td><td>3</td></tr> <tr><td>L1</td><td>L2</td><td>L3</td></tr> </table>		4	5	6	7	8	9	1	2	3	L1	L2	L3
4	5	6																			
7	8	9																			
1	2	3																			
L1	L2	L3																			
Voltage	230/460	Hz		Ins Cl		Rating	°C Amb Cont														
Amps		RPM		Design		Date															
Nom.Eff.	FL	% 3/4	% 230/460V	10:1 CT	20:1 VT	PWM VFD	1.0SF														
Class I DIV. 2 Groups A B C D				Amb.40°C	T3C(160°C)	DE Brng															
Class I Zone 2 IIC				Amb.55°C	T3A(180°C)	ODE Brng															
50Hz				HP	V	A	rpm	S.F1.0													
WorldWide Electric Corporation						LEADGO															

Model	PEWWE3-36-145TC									
HP	3	S.F.	1.15	IP	IP55	Encl	TEFC			
Frame	145TC	P.F.	0.85	Code	K	Type				
Voltage	230/460 V	Hz	60 Hz	Ins Cl	F	Ambient	40°C			
Amps	7.64/3.82	RPM	3490	Design	B	DE Brng	6205ZZ C3			
Nom.Eff.	FL	86.5%	3/4	87.4%	ODE Brng		6205ZZ C3			
Class 1 Division 2 Groups A,B,C,D					T3C(160°C)		Grease type: --			
50Hz		2 HP		200/400 V		9.14/4.57 A		2870 rpm		