

DATA SHEET

Premium Efficiency Motor: **PEWWE30-18-286T**

60 Hz

WorldWide Electric Corporation

1 (800) 808-2131

Worldwideelectric.net



Document Generated: 31-Jul-2023

Document ID:

Customer:

MOTOR INFORMATION

HP	30
RPM	1800
Phase	3
Frequency	60Hz
Voltage	230/460 V
Frame Size	286T
Enclosure	TEFC
Degree of Protection	IP55
Service Factor	1.25
Poles	4
Full Load Speed	1770
Insulation Class	F
Temp Rise	80°C
NEMA Code Letter	G
Duty Cycle	S1 / Continuous
Slip	1.67%
NEMA Design	B
Moment of Inertia	3.38 lb.ft.^2
Locked Rotor Time (Hot)	12 seconds
Sound Pressure Level	70 dB(A)
Number of Starts	2 Cold/ 1 Hot
Max Ambient Temperature	40°C
Max Elevation	1000 m.a.s.l (3300 f.a.s.l)
Mounting	F1
Rotation	Bi-Directional
Area of Classification	Class 1 Division 2 Groups A,B,C,D T3C(160°C)
Inverter Rating	10:1 CT / 20:1 VT PWM Type
Standard	NEMA MG-1
Approvals	CSA-US, CE

EFFICIENCY/POWER FACTOR

LOAD	EFF	P. F.
100%	93.6 %	0.85
75%	93.9 %	0.82
50%	93.4 %	0.72

TORQUE

FULL LOAD	LRT	BDT
89 lb.ft.	160 %	240 %

AMPERAGE INFORMATION

	230V	460V
Full Load Amps	70.6A	35.3A
Locked Rotor Amps	435A	217.5A
No Load Current	26A	13A
Usable at 208V	78.1A	

BEARING INFORMATION

DE Bearing	6311 C3
ODE Bearing	6309 C3
Grease Type	SKF LGHP 2
DE Regreasing Interval	4000 Hours
ODE Regreasing Interval	5000 Hours

ADDITIONAL DATA

F2 Suitable	Yes
Shaft Material	1045 Carbon Steel
Connection Diagram	230 / 460 V - 12 Lead Δ
Approximate Weight	405 lbs.

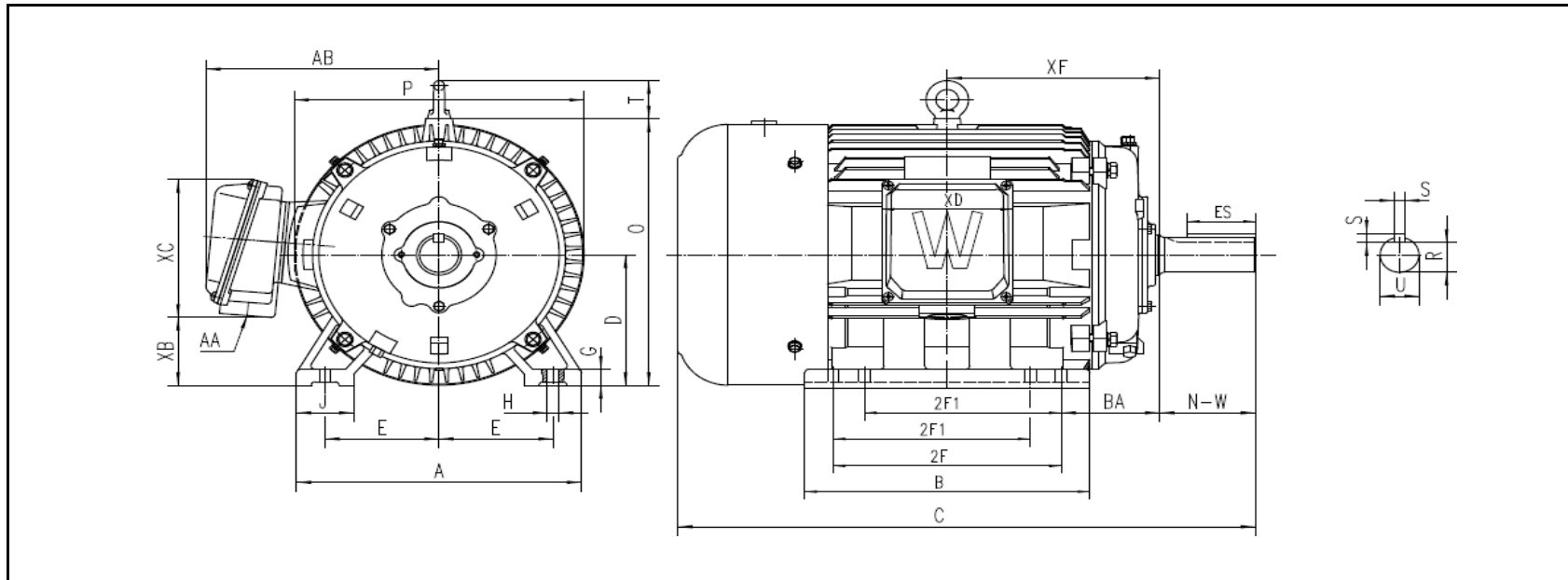
MOTOR DRAWING

Premium Efficiency Motor: **PEWWE30-18-286T**

WorldWide Electric Corporation

1 (800) 808-2131

Worldwideelectric.net



DIMENSION - INCHES

MOUNTING					A	B	C	D	G	J	P	O	T	AB
E	2F1	2F	H	BA										
5.5	9.5	11	0.53	4.75	13.74	13.74	27.858	7	0.866	2.756	13.976	14.283	2.047	11.239

SHAFT & KEY				
S	ES	R	N-W	U
0.5	3.28	1.591	4.62	1.875

TERMINAL BOX				
AA	XB	XC	XD	XF
1.5	3.645	7.381	6.299	10.248

PERFORMANCE CURVES

WorldWide Electric Corporation

1 (800) 808-2131

Worldwideelectric.net



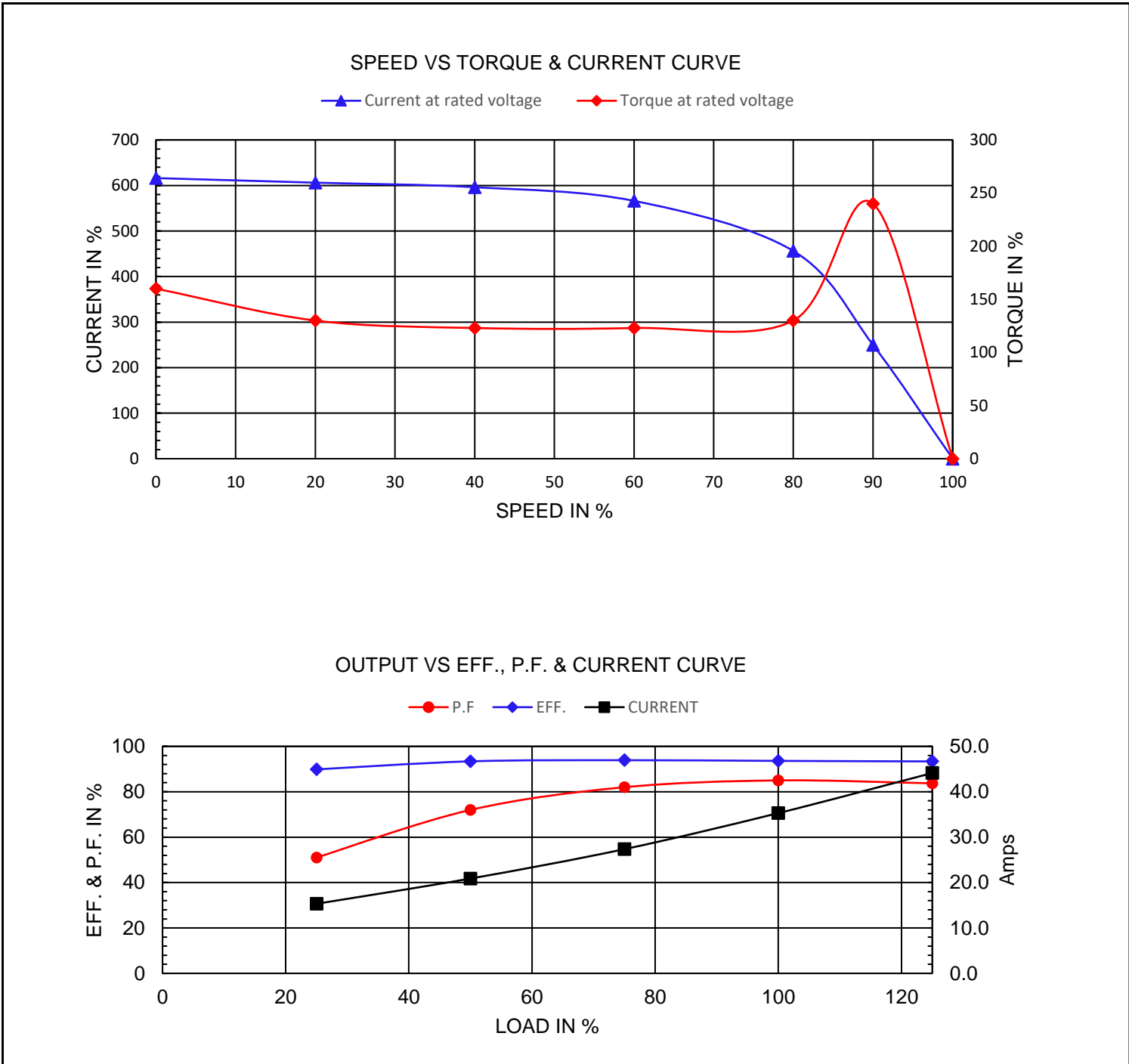
Premium Efficiency Motor:

PEWWE30-18-286T

Document Generated: 31-Jul-2023
 Document ID:

Customer:

Motor Type	PEWWE		FL Speed	1770		
Output Rating (HP)	30		LRT (%FLT)	160	460 volt FLA	35.3 A
Full Load Torque	89	lb.ft	BDT (%FLT)	240	230 volt FLA	70.6 A
Rotor Wk ²	3.38	lb-ft ²				



NAMEPLATE / WIRING

WorldWide Electric Corporation

1 (800) 808-2131

Worldwideelectric.net



Premium Efficiency Motor:

PEWWE30-18-286T

Document Generated: 31-Jul-2023
Document ID:

Customer:

SAMPLE NAMEPLATE DATA

		NEMA Premium		3-PHASE INDUCTION MOTOR		259277		CE
Model		Ser No.						Low Voltage
HP	S.F.	IP	Encl					6 4 5
Frame	P.F.	Code	Type					7 8 9
Voltage	Hz	Ins Cl	Rating	°C Amb Cont				12 10 11
Amps	RPM	Design	Date					1 2 3
Nom. Eff.	FL	% 3/4	% 230/460V	10:1 CT	20:1 VT	PWM VFD	1.0SF	L1 L2 L3
Class I DIV. 2 Groups A B C D		Amb.40°C	T3C(160°C)	DE Brng				High Voltage
Class I Zone 2 IIC		Amb.55°C	T3A(180°C)	ODE Brng				4 5 6
				Grease type: LGHP 2 (compatible with polyrex)				7 8 9
50Hz		HP	V	A	rpm	S.F1.0		12 10 11
								1 2 3
								L1 L2 L3
WorldWide Electric Corporation								

Model

HP S.F. IP Encl

Frame P.F. Code Type

Voltage Hz Ins Cl Ambient

Amps RPM Design DE Brng 6311 C3

Nom. Eff. ODE Brng 6309 C3

Grease type: SKF LGHP 2