

DATA SHEET

Premium Efficiency Motor: **PEWWE30-18-286TZ-GD,**

60 Hz

WorldWide Electric Corporation

1 (800) 808-2131

Worldwideelectric.net



Document Generated: 11-Dec-2023
Document ID:

Customer:

MOTOR INFORMATION	
HP	30
RPM	1800
Phase	3
Frequency	60
Voltage	230/460
Frame Size	286TZ
Enclosure	TEFC
Degree of Protection	IP55
Service Factor	1.25
Poles	4
Full Load Speed	1770
Insulation Class	F
Temp Rise	80°C
NEMA Code Letter	G
Duty Cycle	S1 / Continuous
Slip	1.67%
NEMA Design	B
Moment of Inertia	3.38 lb.ft.^2
Locked Rotor Time (Hot)	12 seconds
Sound Pressure Level	70 dB(A)
Number of Starts	2 Cold / 1 Hot
Max Ambient Temperature	40°C
Max Elevation	1000 m.a.s.l (3300 f.a.s.l)
Mounting	F1
Rotation	Bi-Directional
Area of Classification	Class 1 Division 2 Groups A,B,C,D - T3C
Inverter Rating	10:1 CT / 20:1 VT
Standard	NEMA MG-1
Approvals	CSA, CE

EFFICIENCY/POWER FACTOR		
LOAD	EFF	P. F.
100%	93.6 %	0.85
75%	93.9 %	0.82
50%	93.4 %	0.72

TORQUE		
FULL LOAD	LRT	BDT
89 lb.ft.	160 %	240 %

AMPERAGE INFORMATION		
	230V	460V
Full Load Amps	70.6A	35.3A
Locked Rotor Amps	435A	217.5A
No Load Current	26A	13A

BEARING INFORMATION	
DE Bearing	6311ZZ C3
ODE Bearing	6309ZZ C3

ADDITIONAL DATA	
F2 Suitable	Y
Shaft Material	1045 Carbon Steel
Connection Diagram	230 / 460 V - 12 Lead Δ
Lead Length	72 inches
Approximate Weight	408 lbs.

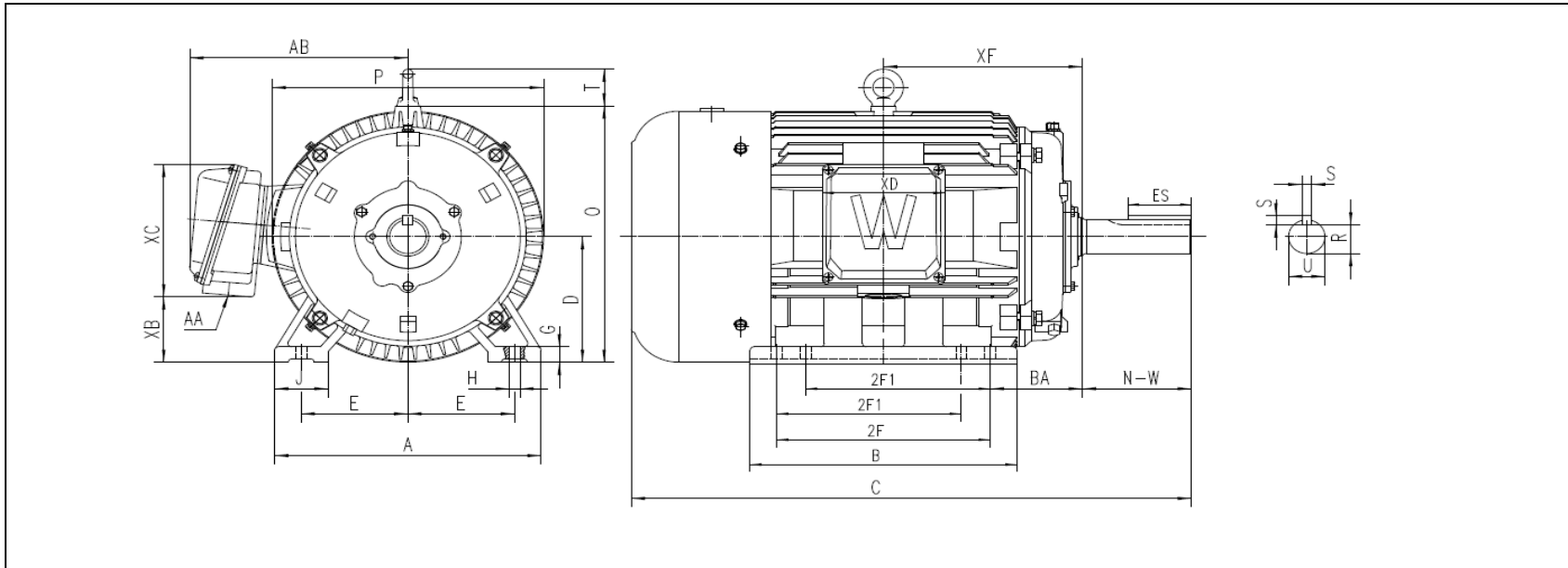
MOTOR DRAWING

Premium Efficiency Motor: **PEWWE30-18-286TZ-GD**

WorldWide Electric Corporation

1 (800) 808-2131

Worldwideelectric.net



DIMENSION - INCHES

MOUNTING					A	B	C	D	G	J	P	O	T	AB
E	2F1	2F2	H	BA										
5.5	9.5	11	0.53	4.75	13.74	13.74	28.858	7	0.866	2.756	13.976	14.283	2.047	11.239

SHAFT & KEY				
S	ES	R	N-W	U
0.5	3.28	1.591	5.62	1.875

TERMINAL BOX				
AA	XB	XC	XD	XE
1-1/2	3.645	7.381	6.299	10.248

PERFORMANCE CURVES

WorldWide Electric Corporation

1 (800) 808-2131

Worldwideelectric.net



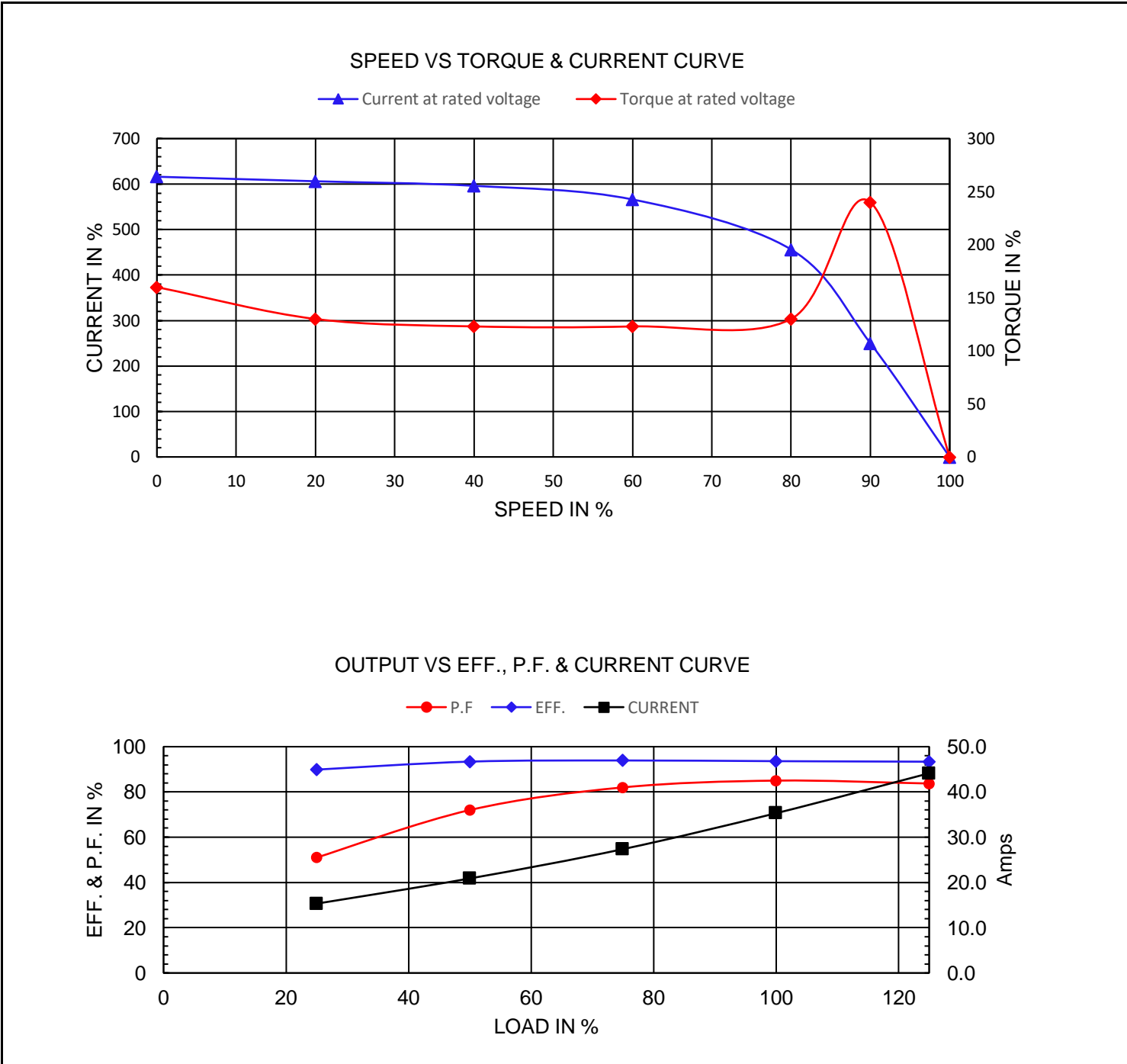
Premium Efficiency Motor:

PEWWE30-18-286TZ-GD

Document Generated: 11-Dec-2023
Document ID:

Customer:

Motor Type	PEWWE				
Output Rating (HP)	30	FL Speed	1770		
Full Load Torque	89 lb.ft	LRT (%FLT)	160	460 volt FLA	35.3
Rotor Wk ²	3.38 lb-ft ²	BDT (%FLT)	240	230 volt FLA	70.6



NAMEPLATE / WIRING

WorldWide Electric Corporation

1 (800) 808-2131

Worldwideelectric.net

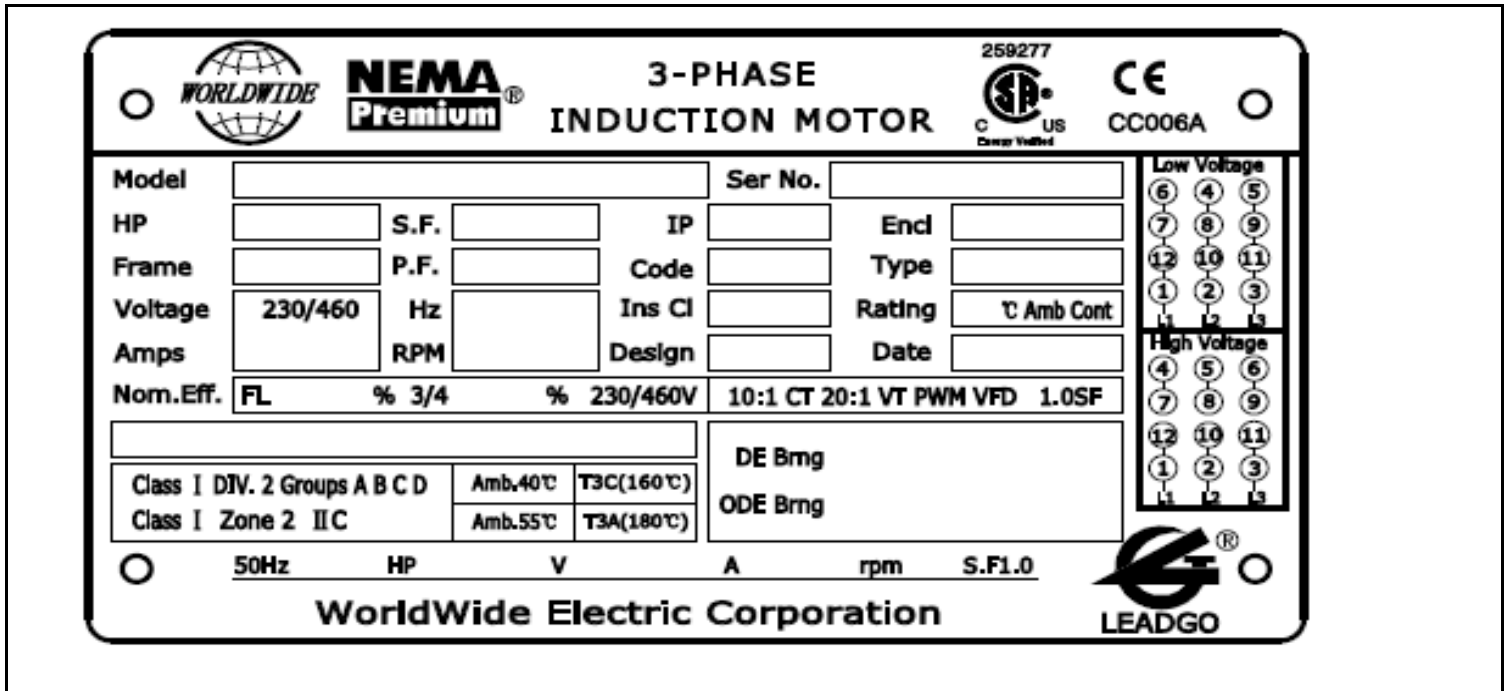


Premium Efficiency Motor: **PEWWE30-18-286TZ-GD**

Document Generated: 11-Dec-2023
Document ID:

Customer:

SAMPLE NAMEPLATE DATA



Model	PEWWE30-18-286TZ-GD						
HP	30	S.F.	1.25	IP	IP55	Encl	TEFC
Frame	286TZ	P.F.	0.85	Code	G	Type	BJPE
Voltage	230/460	Hz	60	Ins Cl	F	Rating	40°C
Amps	70.6/35.3	RPM	1770	Design	B	DE Brng	6311ZZ C3
Nom.Eff.	93.6%	3/4 Eff	93.9%			ODE Brng	6309ZZ C3

50Hz							
HP	30	Volts	200/400	200V FLA	83A	RPM	1465
				400V FLA	41.5		