

DATA SHEET

Premium Efficiency Motor: **PEWWE30-18-575-286T**

60 Hz

WorldWide Electric Corporation

1 (800) 808-2131

Worldwideelectric.net



Document Generated: 15-Feb-2023
Document ID:

Customer:

MOTOR INFORMATION	
HP	30
RPM	1800
Phase	3
Frequency	60Hz
Voltage	575 V
Frame Size	286T
Enclosure	TEFC
Degree of Protection	IP55
Service Factor	1.25
Poles	4
Full Load Speed	1770
Insulation Class	F
Temp Rise	80°C
NEMA Code Letter	G
Duty Cycle	S1 / Continuous
Slip	1.67%
NEMA Design	B
Moment of Inertia	3.38 lb.ft.^2
Locked Rotor Time (Hot)	12 seconds
Sound Pressure Level	70 dB(A)
Number of Starts	2 Cold/ 1 Hot
Max Ambient Temperature	40°C
Max Elevation	1000 m.a.s.l (3300 f.a.s.l)
Mounting	F1
Rotation	Bi-Directional
Area of Classification	Class I, Division 2, Groups A, B, C, D
Inverter Rating	10:1 CT / 20:1 VT PWM Type
Standard	NEMA MG-1
Approvals	CSA-US, CE

EFFICIENCY/POWER FACTOR		
LOAD	EFF	P. F.
100%	93.6 %	0.85
75%	93.9 %	0.82
50%	93.4 %	0.72

TORQUE		
FULL LOAD	LRT	BDT
89 lb.ft.	160 %	240 %

AMPERAGE INFORMATION		
	575V	
Full Load Amps	28.2A	
Locked Rotor Amps	174A	
No Load Current	11A	

BEARING INFORMATION	
DE Bearing	6311 C3
ODE Bearing	6309 C3
Grease Type	SKF LGHP 2
DE Regreasing Interval	4000 Hours
ODE Regreasing Interval	5000 Hours

ADDITIONAL DATA	
F2 Suitable	Yes
Shaft Material	1045 Carbon Steel
Connection Diagram	575V - 6 Lead Δ
Approximate Weight	405 lbs.

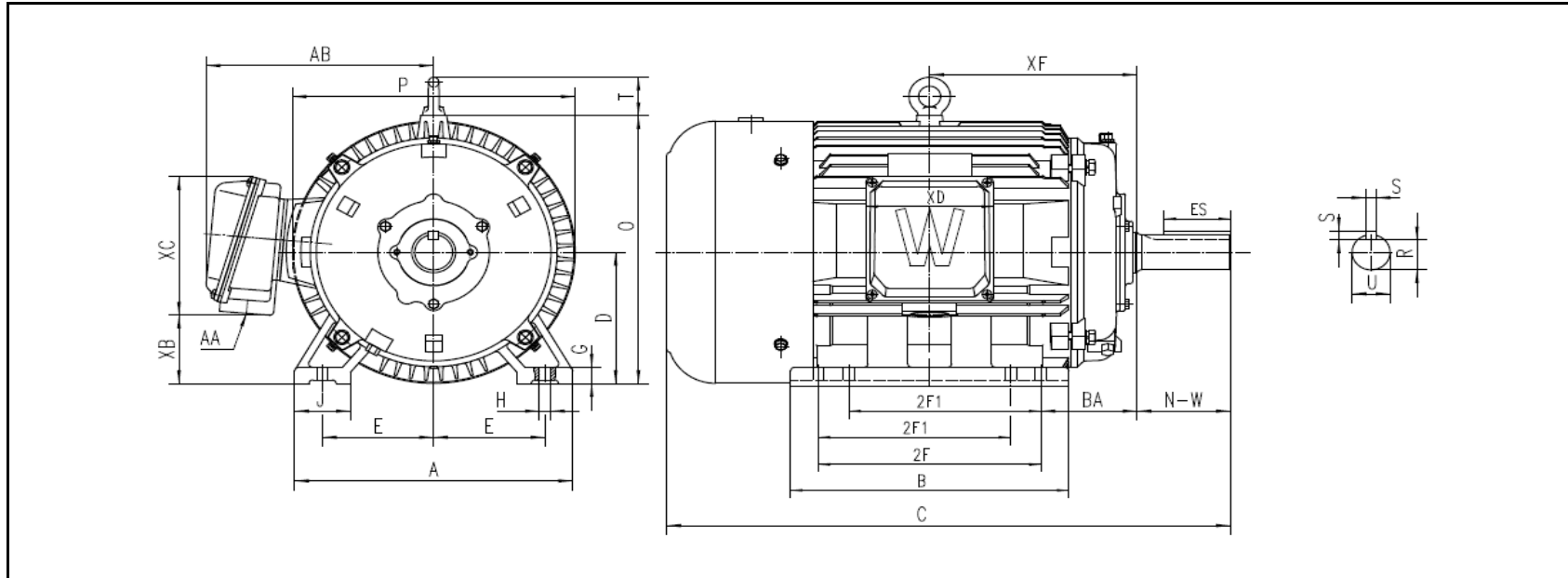
MOTOR DRAWING

Premium Efficiency Motor: **PEWWE30-18-575-286T**

WorldWide Electric Corporation

1 (800) 808-2131

Worldwideelectric.net



DIMENSION - INCHES

MOUNTING					A	B	C	D	G	J	P	O	T	AB
E	2F1	2F	H	BA										
5.5	9.5	11	0.53	4.75	13.74	13.74	27.858	7	0.866	2.756	13.976	14.283	2.047	11.239

SHAFT & KEY				
S	ES	R	N-W	U
0.5	3.28	1.591	4.62	1.875

TERMINAL BOX				
AA	XB	XC	XD	XF
1.5	3.645	7.381	6.299	10.248

PERFORMANCE CURVES

WorldWide Electric Corporation

1 (800) 808-2131

Worldwideelectric.net

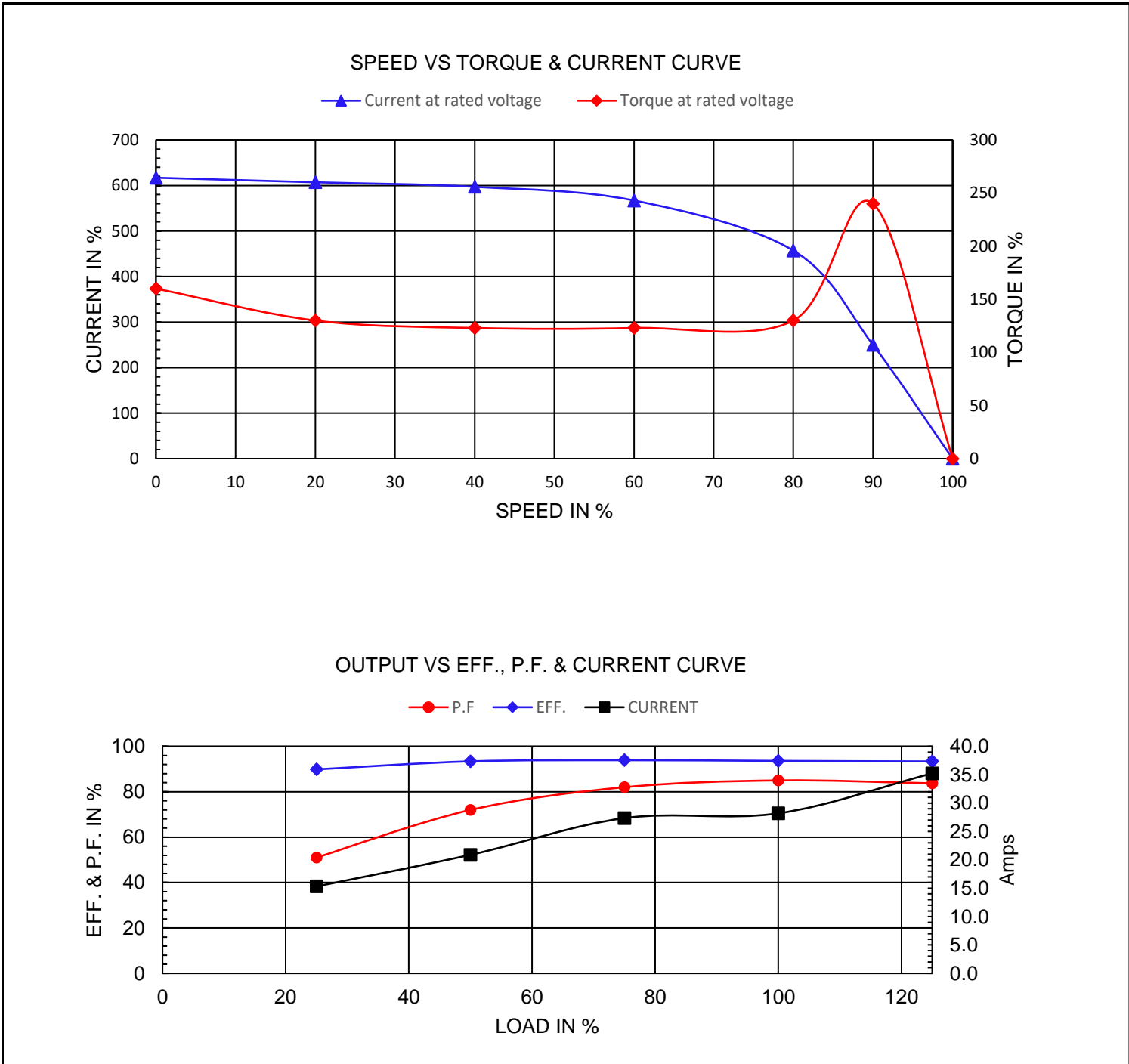


Premium Efficiency Motor:

PEWWE30-18-575-286T

Document Generated:	15-Feb-2023	Customer:	
Document ID:			

Motor Type	PEWWE		
Output Rating (HP)	30	FL Speed	1770
Full Load Torque	150 lb.ft	LRT (%FLT)	160
Rotor Wk ²	1.67 lb-ft ²	BDT (%FLT)	240
		575 Volt FLA	28.2A



NAMEPLATE / WIRING

WorldWide Electric Corporation

1 (800) 808-2131

Worldwideelectric.net



Premium Efficiency Motor: **PEWWE30-18-575-286T**

Document Generated: 15-Feb-2023
Document ID:

Customer:

SAMPLE NAMEPLATE DATA

		NEMA Premium		3-PHASE INDUCTION MOTOR		259277	CE
							CC006A
Model				Ser No.			Connection
HP		S.F.		IP		Encl	
Frame		P.F.		Code		Type	
Voltage		Hz		Ins Cl		Rating °C Amb Cont	
Amps		RPM		Design		Date	
Nom. Eff.	FL	% 3/4	%	V	10:1 CT 20:1 VT PWM VFD	1.0SF	
Class I DIV. 2 Groups A B C D		Amb.40°C	T3C(160°C)	DE Brng			
Class I Zone 2 IIC		Amb.55°C	T3A(180°C)	ODE Brng			
				Grease type: LGHP 2 (compatible with polyrex)			
		50Hz	HP	V	A	rpm	S.F1.0
WorldWide Electric Corporation							

Model	PEWWE30-18-575-286T						
HP	30	S.F.	1.25	IP	IP55	Encl	TEFC
Frame	286T	P.F.	0.85	Code	G	Amb.	40°C
Voltage	575 V	Hz	60Hz	Ins Cl	F	DE Brng	6311 C3
Amps	28.2A	RPM	1770	Design	B	ODE Brng	6309 C3
Nom. Eff.	FL	93.6%	3/4	93.9%			

50Hz	30 HP	500 V	33.2 A	1465 RPM
------	-------	-------	--------	----------