

# DATA SHEET

Premium Efficiency Motor: **PEWWE300-18-449TBB-IB**

**60 Hz**

WorldWide Electric Corporation

1 (800) 808-2131

Worldwideelectric.net



Document Generated: 31-Jul-2023

Document ID:

Customer:

## MOTOR INFORMATION

HP	300
RPM	1800
Phase	3
Frequency	60 Hz
Voltage	460 V
Frame Size	449T
Enclosure	TEFC
Degree of Protection	IP55
Service Factor	1.15
Poles	4
Full Load Speed	1790
Insulation Class	F
Temp Rise	80°C
NEMA Code Letter	G
Duty Cycle	S1 / Continuous
Slip	0.56%
NEMA Design	B
Moment of Inertia	94.1 lb.ft.^2
Locked Rotor Time (Hot)	12 seconds
Sound Pressure Level	84 dB(A)
Number of Starts	2 Cold/ 1 Hot
Max Ambient Temperature	40°C
Max Elevation	1000 m.a.s.l (3300 f.a.s.l)
Mounting	F1
Rotation	Bi-Directional
Area of Classification	Class 1 Division 2 Groups A,B,C,D T3(200°C)
Inverter Rating	10:1 CT / 20:1 VT PWM Type
Standard	NEMA MG-1
Approvals	CSA-US, CE

## EFFICIENCY/POWER FACTOR

LOAD	EFF	P. F.
100%	96.2 %	0.87
75%	96.3 %	0.85
50%	96.1 %	0.78

## TORQUE

FULL LOAD	LRT	BDT
880 lb.ft.	200 %	250 %

## AMPERAGE INFORMATION

	230V	460V
Full Load Amps	--A	336A
Locked Rotor Amps	--A	2200A
No Load Current	--A	103A
Usable at 208V	--A	

## BEARING INFORMATION

DE Bearing	6320 C3
ODE Bearing	6320 M/C3
Grease Type	SKF LGHP 2
DE Regreasing Interval	1300 Hours
ODE Regreasing Interval	1800 Hours

## ADDITIONAL DATA

F2 Suitable	Yes
Shaft Material	4140 Carbon Steel
Connection Diagram	460 V - 6 Lead Δ
Approximate Weight	2864 lbs.

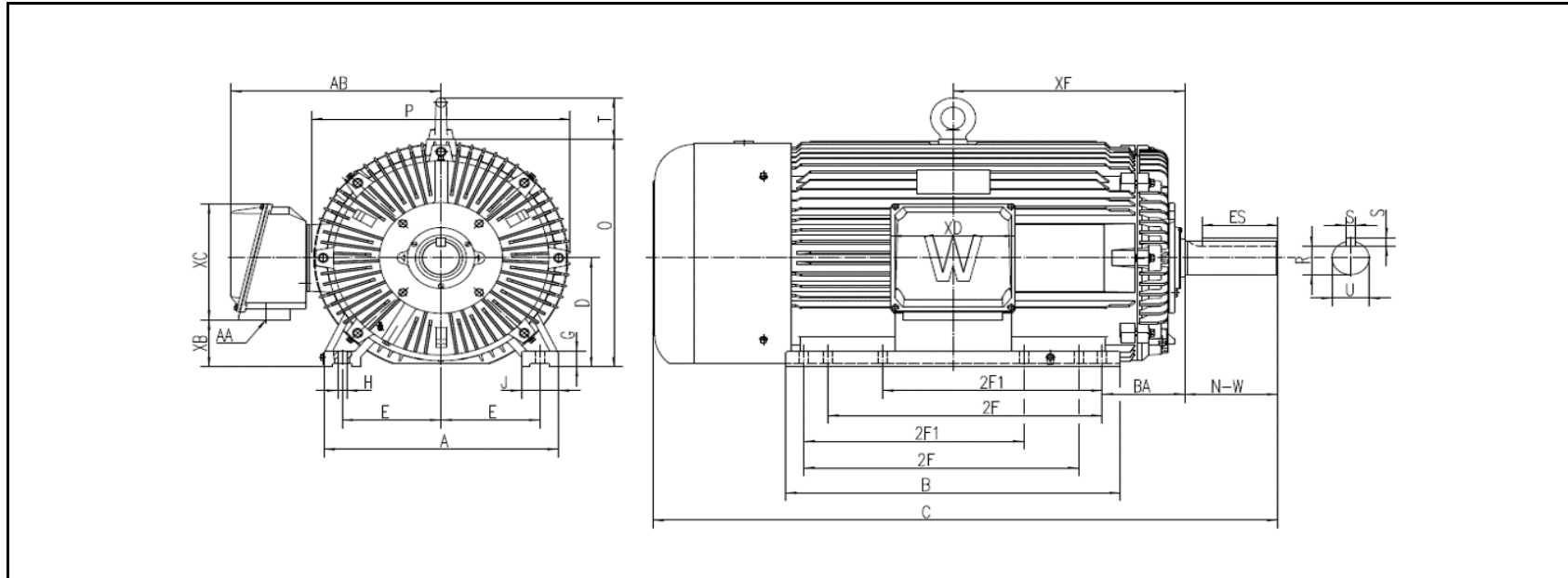
# MOTOR DRAWING

Premium Efficiency Motor: **PEWWE300-18-449TBB-IB**

WorldWide Electric Corporation

1 (800) 808-2131

Worldwideelectric.net



## DIMENSION - INCHES

MOUNTING					A	B	C	D	G	J	P	O	T	AB
E	2F1	2F	H	BA										
9	20	25	0.81	7.5	21.339	30.472	56.945	11	1.575	3.346	23.554	22.969	4.213	19.171

SHAFT & KEY				
S	ES	R	N-W	U
0.875	6.91	2.88	8.5	3.375

TERMINAL BOX				
AA	XB	XC	XD	XF
2 X 3	4.7	11.813	11.339	21.087

# PERFORMANCE CURVES

WorldWide Electric Corporation

1 (800) 808-2131

Worldwideelectric.net



Premium Efficiency Motor:

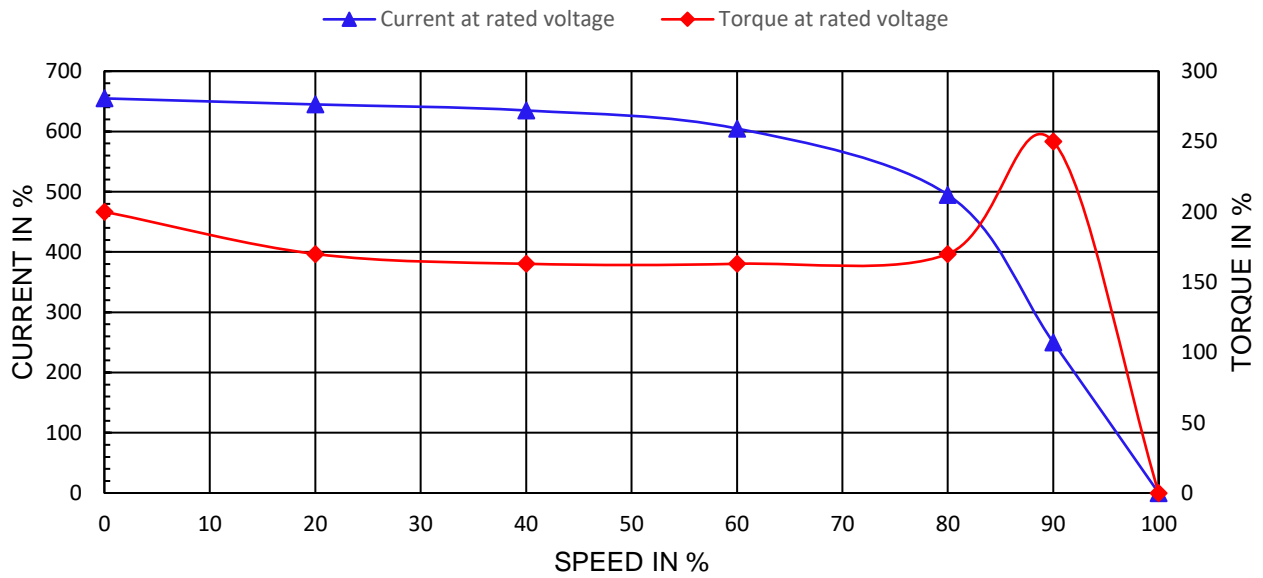
**PEWWE300-18-449TBB-IB**

Document Generated: 31-Jul-2023  
 Document ID:

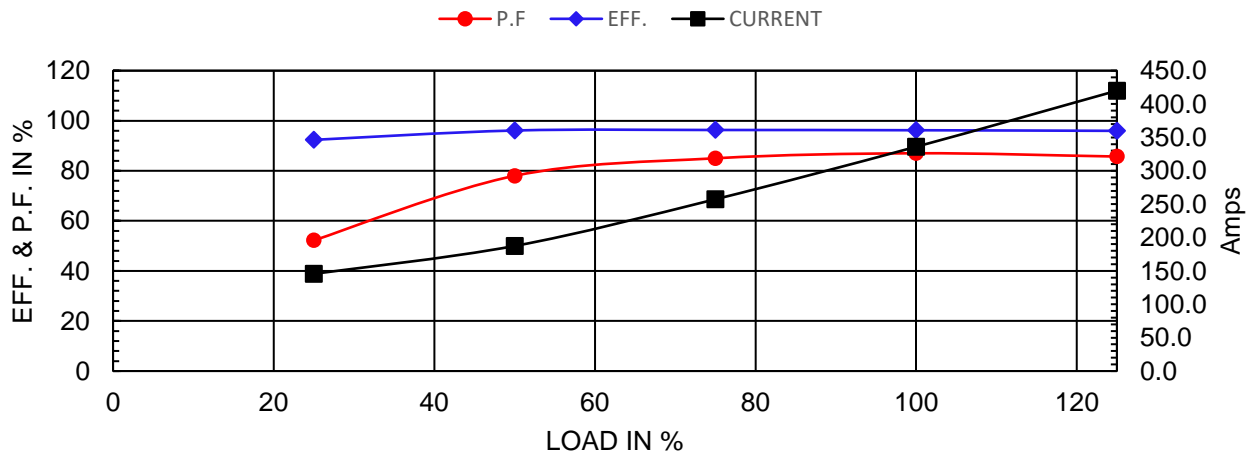
Customer:

Motor Type	PEWWE				
Output Rating (HP)	300	FL Speed	1790		
Full Load Torque	880 lb.ft	LRT (%FLT)	200	460 volt FLA	336 A
Rotor Wk^2	94.1 lb-ft^2	BDT (%FLT)	250	230 volt FLA	-- A

SPEED VS TORQUE & CURRENT CURVE



OUTPUT VS EFF., P.F. & CURRENT CURVE



# NAMEPLATE / WIRING

WorldWide Electric Corporation

1 (800) 808-2131

Worldwideelectric.net



Premium Efficiency Motor:

**PEWWE300-18-449TBB-IB**

Document Generated: 31-Jul-2023  
Document ID:

Customer:

## SAMPLE NAMEPLATE DATA

		<b>NEMA Premium</b>		<b>3-PHASE INDUCTION MOTOR</b>		259277		
Model		Ser No.		Connection				
HP		S.F.		IP		Encl		
Frame		P.F.		Code		Type		
Voltage		Hz		Ins Cl		Rating		°C Amb Cont
Amps		RPM		Design		Date		
Nom.Eff.	FL	% 3/4	%	V	10:1 CT	20:1 VT	PWM	VFD 1.0SF
Class I DIV. 2 Groups A B C D				Amb.40°C				
DE Brng				Grease type: LGHP 2				
ODE Brng				(compatible with polyrex)				
<b>WorldWide Electric Corporation</b>								

Model	PEWWE300-18-449TBB-IB								
HP	300	S.F.	1.15	IP	IP55	Encl	TEFC		
Frame	449T	P.F.	0.87	Code	G	Type			
Voltage	460 V	Hz	60 Hz	Ins Cl	F	Ambient	40°C		
Amps	336	RPM	1790	Design	B	DE Brng 6320 C3			
Nom.Eff.	FL	96.2%	3/4	96.3%	ODE Brng 6320 M/C3				
Class 1 Division 2 Groups A,B,C,D						T3(200°C)			
						Grease type: SKF LGHP 2			
50Hz	--	HP	--	--	A	-- rpm			