

DATA SHEET

Premium Efficiency Motor: **PEWWE300-18-586/7UZ**

60 Hz

WorldWide Electric Corporation

1 (800) 808-2131

Worldwideelectric.net



Document Generated: 31-Jul-2023
Document ID:

Customer:

| MOTOR INFORMATION | |
|-------------------------|---|
| HP | 300 |
| RPM | 1800 |
| Phase | 3 |
| Frequency | 60 Hz |
| Voltage | 460 V |
| Frame Size | 586/7UZ |
| Enclosure | TEFC |
| Degree of Protection | IP55 |
| Service Factor | 1.15 |
| Poles | 4 |
| Full Load Speed | 1790 |
| Insulation Class | F |
| Temp Rise | 80°C |
| NEMA Code Letter | G |
| Duty Cycle | S1 / Continuous |
| Slip | 0.56% |
| NEMA Design | B |
| Moment of Inertia | 143 lb.ft.^2 |
| Locked Rotor Time (Hot) | 24 seconds |
| Sound Pressure Level | 86 dB(A) |
| Number of Starts | 2 Cold/ 1 Hot |
| Max Ambient Temperature | 40°C |
| Max Elevation | 1000 m.a.s.l (3300 f.a.s.l) |
| Mounting | F1 |
| Rotation | Bi-Directional |
| Area of Classification | Class 1 Division 2 Groups A,B,C,D T3(200°C) |
| Inverter Rating | 10:1 CT / 20:1 VT PWM Type |
| Standard | NEMA MG-1 |
| Approvals | CSA-US, CE |

| EFFICIENCY/POWER FACTOR | | |
|-------------------------|--------|-------|
| LOAD | EFF | P. F. |
| 100% | 96.2 % | 0.9 |
| 75% | 96.2 % | 0.89 |
| 50% | 95.9 % | 0.83 |

| TORQUE | | |
|------------|-------|-------|
| FULL LOAD | LRT | BDT |
| 880 lb.ft. | 200 % | 250 % |

| AMPERAGE INFORMATION | | |
|----------------------|------|-------|
| | 230V | 460V |
| Full Load Amps | --A | 324A |
| Locked Rotor Amps | --A | 2200A |
| No Load Current | --A | 86A |
| Usable at 208V | --A | |

| BEARING INFORMATION | |
|-------------------------|------------|
| DE Bearing | NU326 C3 |
| ODE Bearing | 6324 C3 |
| Grease Type | SKF LGHP 2 |
| DE Regreasing Interval | 1000 Hours |
| ODE Regreasing Interval | 1500 Hours |

| ADDITIONAL DATA | |
|--------------------|-------------------|
| F2 Suitable | Yes |
| Shaft Material | 4140 Carbon Steel |
| Connection Diagram | 460 V - 6 Lead Δ |
| Approximate Weight | 3874 lbs. |

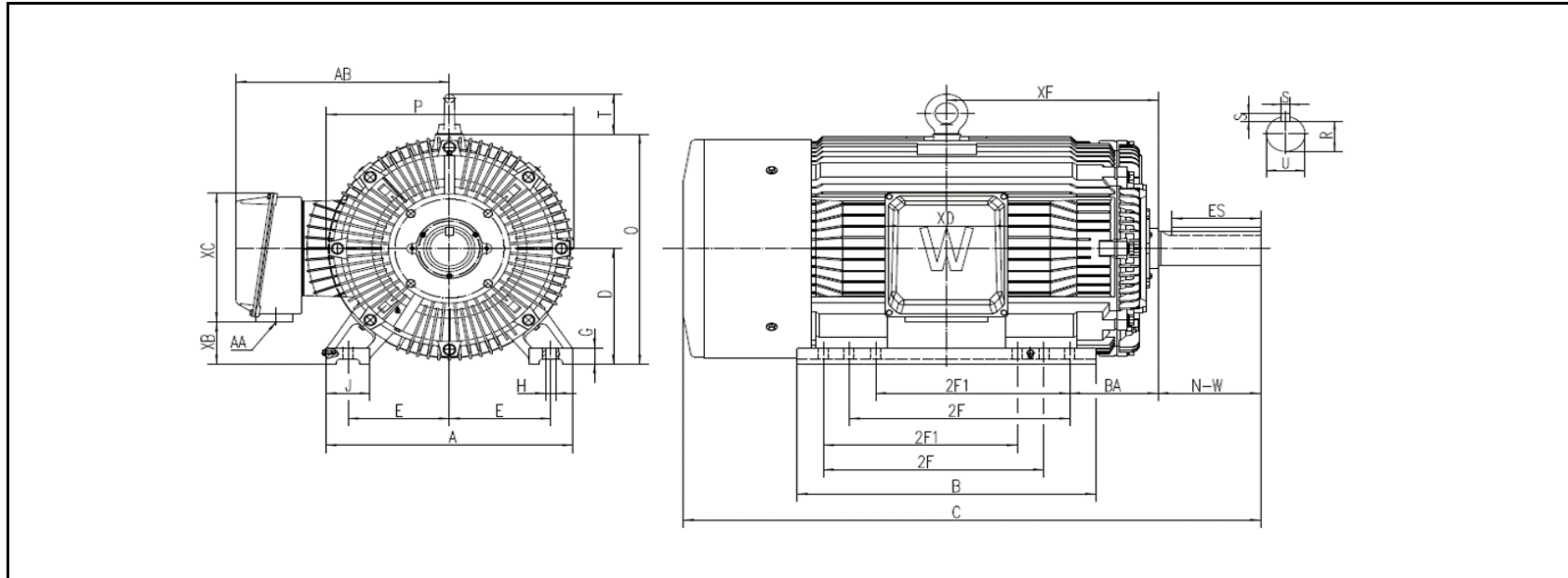
MOTOR DRAWING

Premium Efficiency Motor: **PEWWE300-18-586/7UZ**

WorldWide Electric Corporation

1 (800) 808-2131

Worldwideelectric.net



DIMENSION - INCHES

| MOUNTING | | | | | A | B | C | D | G | J | P | O | T | AB |
|----------|-----|----|-------|----|--------|--------|--------|------|-------|---|--------|-------|------|--------|
| E | 2F1 | 2F | H | BA | | | | | | | | | | |
| 11.5 | 22 | 25 | 1.125 | 10 | 27.992 | 33.858 | 66.231 | 14.5 | 2.047 | 5 | 28.011 | 28.87 | 5.02 | 24.212 |

| SHAFT & KEY | | | | |
|-------------|----|-------|--------|-------|
| S | ES | R | N-W | U |
| 1 | 10 | 3.817 | 11.625 | 4.375 |

| TERMINAL BOX | | | | |
|--------------|-------|--------|--------|--------|
| AA | XB | XC | XD | XF |
| 2 X 3 | 5.287 | 16.158 | 13.937 | 23.976 |

PERFORMANCE CURVES

WorldWide Electric Corporation

1 (800) 808-2131

Worldwideelectric.net



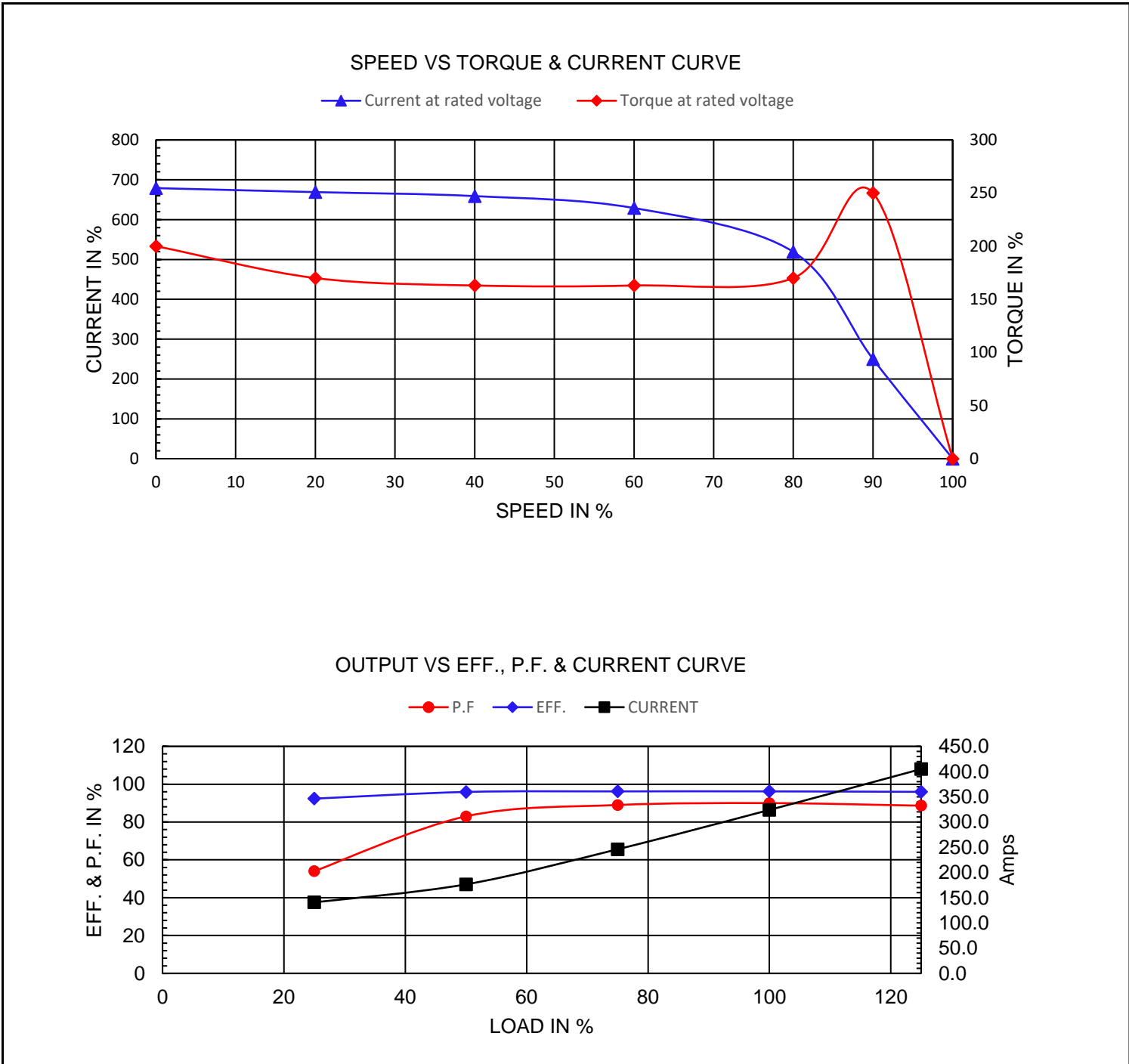
Premium Efficiency Motor:

PEWWE300-18-586/7UZ

Document Generated: 31-Jul-2023
 Document ID:

Customer:

| | | | | | |
|--------------------|-------------|------------|------|--------------|-------|
| Motor Type | PEWWE | | | | |
| Output Rating (HP) | 300 | FL Speed | 1790 | | |
| Full Load Torque | 880 lb.ft | LRT (%FLT) | 200 | 460 volt FLA | 324 A |
| Rotor Wk^2 | 143 lb-ft^2 | BDT (%FLT) | 250 | 230 volt FLA | -- A |



NAMEPLATE / WIRING

WorldWide Electric Corporation

1 (800) 808-2131

Worldwideelectric.net



Premium Efficiency Motor:

PEWWE300-18-586/7UZ

Document Generated: 31-Jul-2023
Document ID:

Customer:

SAMPLE NAMEPLATE DATA

| | | | | | | | | | |
|-------------------------------|----------------------|---------|----------------------|------------------------------------|----------------------|------------|----------------------|-------------|-------|
| | | | | 3-PHASE INDUCTION MOTOR | | 259277 | | | |
| Model | <input type="text"/> | Ser No. | <input type="text"/> | Connection | | | | | |
| HP | <input type="text"/> | S.F. | <input type="text"/> | IP | <input type="text"/> | Encl | <input type="text"/> | | |
| Frame | <input type="text"/> | P.F. | <input type="text"/> | Code | <input type="text"/> | Type | <input type="text"/> | | |
| Voltage | <input type="text"/> | Hz | <input type="text"/> | Ins Cl | <input type="text"/> | Rating | <input type="text"/> | °C Amb Cont | |
| Amps | <input type="text"/> | RPM | <input type="text"/> | Design | <input type="text"/> | Date | <input type="text"/> | | |
| Nom.Eff. | FL | % 3/4 | % | V | 10:1 CT | 20:1 VT | PWM | VFD | 1.0SF |
| Class I DIV. 2 Groups A B C D | | | | Amb.40°C | | | | | |
| DE Brng | | | | Grease type: LGHP 2 | | | | | |
| ODE Brng | | | | (compatible with polyrex) | | | | | |
| | | | | | | | | | |

| | | | | | | | | | | |
|-----------------------------------|--|-------|------------------------------------|--------|-----------------------------------|------------------|-----------------------------------|-------------------------|--|--|
| Model | <input type="text" value="PEWWE300-18-586/7UZ"/> | | | | | | | | | |
| HP | <input type="text" value="300"/> | S.F. | <input type="text" value="1.15"/> | IP | <input type="text" value="IP55"/> | Encl | <input type="text" value="TEFC"/> | | | |
| Frame | <input type="text" value="586/7UZ"/> | P.F. | <input type="text" value="0.9"/> | Code | <input type="text" value="G"/> | Type | | | | |
| Voltage | <input type="text" value="460 V"/> | Hz | <input type="text" value="60 Hz"/> | Ins Cl | <input type="text" value="F"/> | Ambient | <input type="text" value="40°C"/> | | | |
| Amps | <input type="text" value="324"/> | RPM | <input type="text" value="1790"/> | Design | <input type="text" value="B"/> | DE Brng NU326 C3 | | | | |
| Nom.Eff. | FL | 96.2% | 3/4 | 96.2% | ODE Brng 6324 C3 | | | | | |
| Class 1 Division 2 Groups A,B,C,D | | | | | | T3(200°C) | | Grease type: SKF LGHP 2 | | |
| 50Hz | -- | HP | -- | -- | A | -- rpm | | | | |