

DATA SHEET

Premium Efficiency Motor: **PEWWE40-12-364TC**

60 Hz

WorldWide Electric Corporation

1 (800) 808-2131

Worldwideelectric.net



Document Generated: 1-Aug-2023

Document ID:

Customer:

MOTOR INFORMATION

HP	40
RPM	1200
Phase	3
Frequency	60 Hz
Voltage	230/460 V
Frame Size	364TC
Enclosure	TEFC
Degree of Protection	IP55
Service Factor	1.25
Poles	6
Full Load Speed	1185
Insulation Class	F
Temp Rise	80°C
NEMA Code Letter	G
Duty Cycle	S1 / Continuous
Slip	1.25%
NEMA Design	B
Moment of Inertia	21 lb.ft.²
Locked Rotor Time (Hot)	13 seconds
Sound Pressure Level	70 dB(A)
Number of Starts	2 Cold/ 1 Hot
Max Ambient Temperature	40°C
Max Elevation	1000 m.a.s.l (3300 f.a.s.l)
Mounting	F1
Rotation	Bi-Directional
Area of Classification	Class 1 Division 2 Groups A,B,C,D T3A(180°C)
Inverter Rating	10:1 CT / 20:1 VT PWM Type
Standard	NEMA MG-1
Approvals	CSA-US, CE

EFFICIENCY/POWER FACTOR

LOAD	EFF	P. F.
100%	94.1 %	0.81
75%	94.2 %	0.75
50%	93.2 %	0.64

TORQUE

FULL LOAD	LRT	BDT
177 lb.ft.	215 %	260 %

AMPERAGE INFORMATION

	230V	460V
Full Load Amps	98A	49.1A
Locked Rotor Amps	580A	290A
No Load Current	45A	22.5A
Usable at 208V	109A	

BEARING INFORMATION

DE Bearing	6313 C3
ODE Bearing	6312 C3
Grease Type	SKF LGHP 2
DE Regreasing Interval	4500 Hours
ODE Regreasing Interval	6000 Hours

ADDITIONAL DATA

F2 Suitable	Yes
Shaft Material	1045 Carbon Steel
Connection Diagram	230 / 460 V - 12 Lead Δ
Approximate Weight	780 lbs.

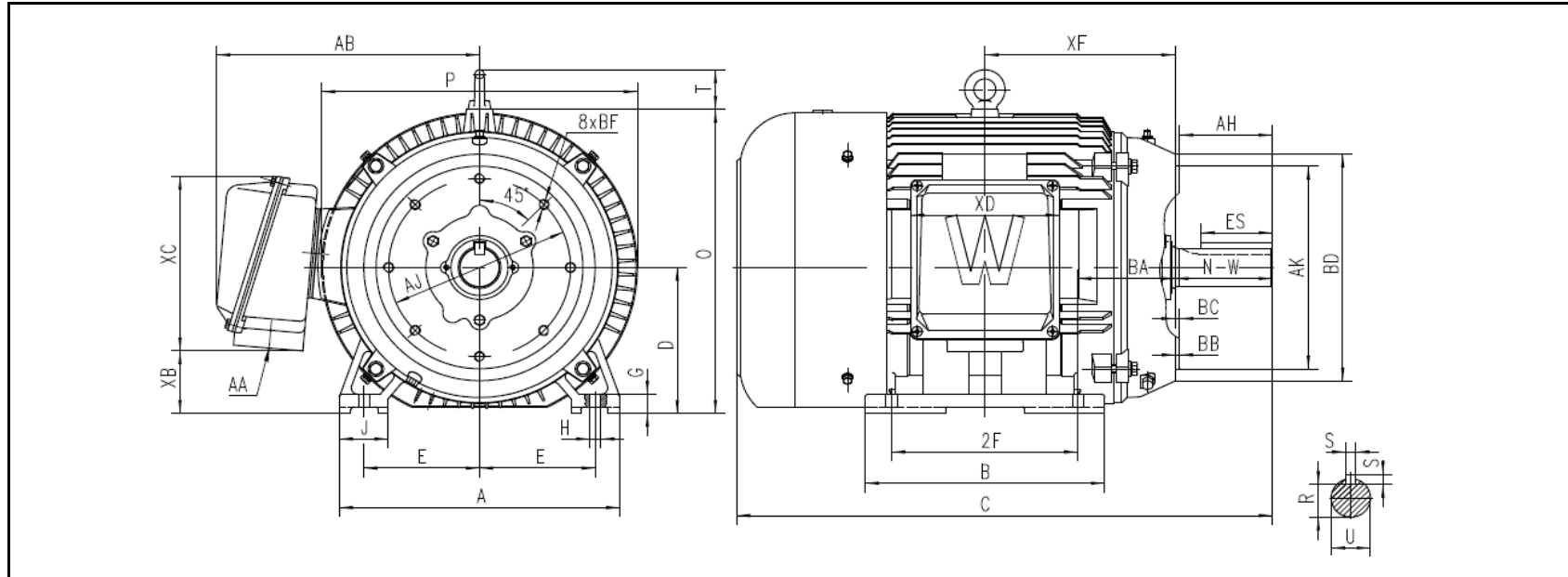
MOTOR DRAWING

Premium Efficiency Motor: **PEWWE40-12-364TC**

WorldWide Electric Corporation

1 (800) 808-2131

Worldwideelectric.net



DIMENSION - INCHES

MOUNTING					A	B	C	D	G	J	P	O	T	AB
E	2F1	2F	H	BA										
7	--	11.25	0.66	5.88	16.969	14.488	32.376	9	1.181	2.953	19.091	18.8	2.441	15.899

SHAFT & KEY					
S	ES	R	N-W	AH	U
0.625	4.28	2.021	5.88	5.62	2.375

TERMINAL BOX				
AA	XB	XC	XD	XF
3	3.849	10.783	8.976	11.496

FLANGE					
AJ	AK	BB	BD	BF	BC
11	12.5	0.25	13.989	5/8-11	0.25

PERFORMANCE CURVES

WorldWide Electric Corporation

1 (800) 808-2131

Worldwideelectric.net



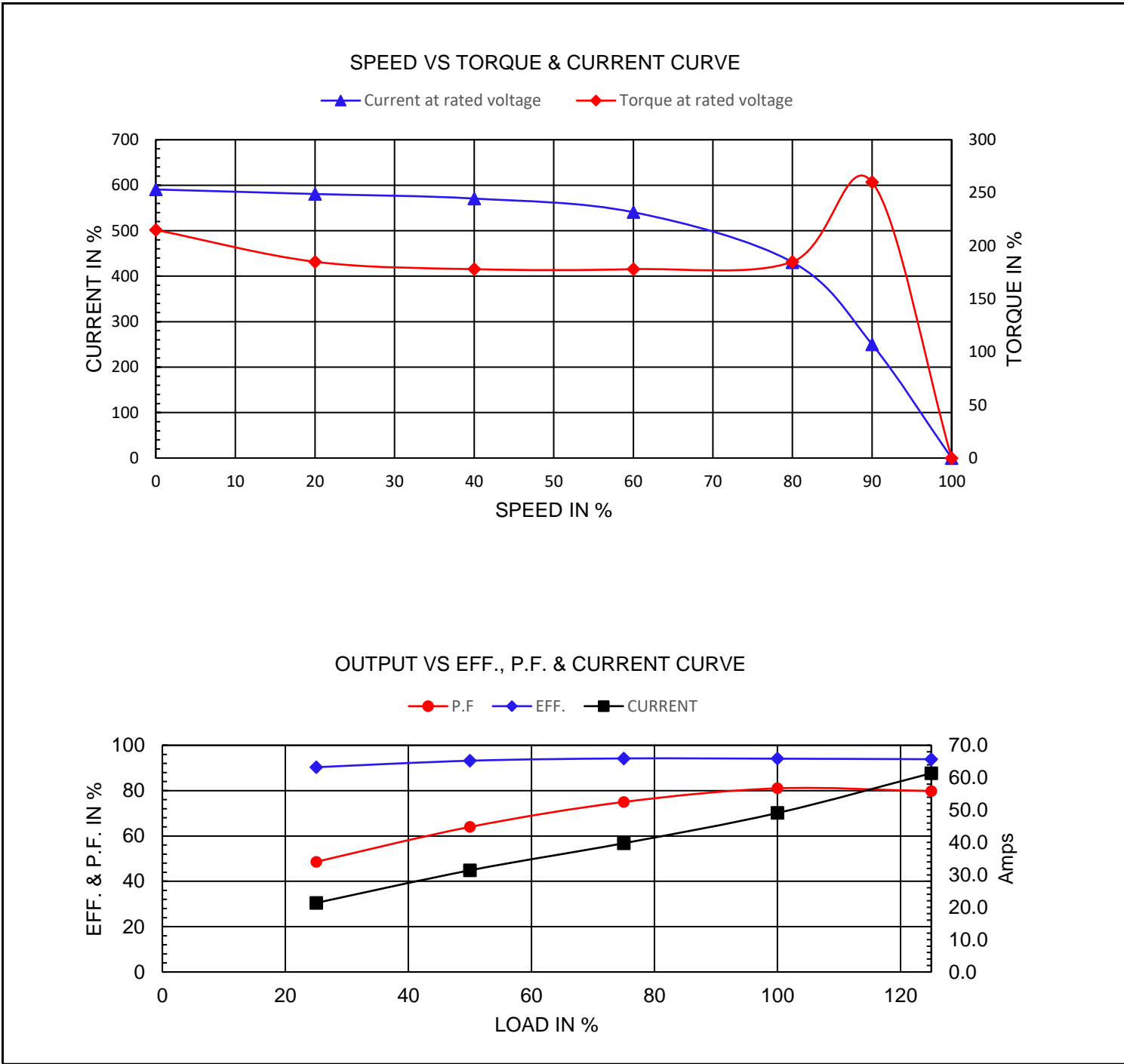
Premium Efficiency Motor:

PEWWE40-12-364TC

Document Generated: 1-Aug-2023
 Document ID:

Customer:

Motor Type	PEWWE			FL Speed	1185		
Output Rating (HP)	40			LRT (%FLT)	215	460 volt FLA	49.1
Full Load Torque	177	lb.ft		BDT (%FLT)	260	230 volt FLA	98
Rotor Wk^2	21	lb-ft^2					



NAMEPLATE / WIRING

WorldWide Electric Corporation

1 (800) 808-2131

Worldwideelectric.net



WORLDWIDE
ELECTRIC CORPORATION

Premium Efficiency Motor:

PEWWE40-12-364TC

Document Generated: 1-Aug-2023
Document ID:

Customer:

SAMPLE NAMEPLATE DATA

		NEMA Premium		3-PHASE INDUCTION MOTOR		259277		CE
Model		Ser No.						Low Voltage
HP	S.F.	IP	Encl					6 4 5
Frame	P.F.	Code	Type					7 8 9
Voltage	Hz	Ins Cl	Rating	°C Amb Cont				12 10 11
Amps	RPM	Design	Date					1 2 3
Nom.Eff.		FL % 3/4 % 230/460 V		10:1 CT 20:1 VT PWM VFD 1.0SF				High Voltage
								4 5 6
								7 8 9
Class I DIV. 2 Groups A B C D		Amb.40°C		DE Brng				12 10 11
Class I Zone 2 IIC		Amb.55°C		ODE Brng				1 2 3
				Grease type: LGHP 2 (compatible with polyrex)				L1 L2 L3
50Hz		HP	V	A	rpm	1.0SF		
WorldWide Electric Corporation								

Model	PEWWE40-12-364TC						
HP	40	S.F.	1.25	IP	IP55	Encl	TEFC
Frame	364TC	P.F.	0.81	Code	G	Type	
Voltage	230/460 V	Hz	60 Hz	Ins Cl	F	Ambient	40°C
Amps	98/49.1	RPM	1185	Design	B	DE Brng	6313 C3
Nom.Eff.	FL	94.1%	3/4	94.2%		ODE Brng	6312 C3
Class 1 Division 2 Groups A,B,C,D						T3A(180°C)	
						Grease type: SKF LGHP 2	
50Hz		40 HP	200/400 V	116/58	A	985 rpm	