

# DATA SHEET

Premium Efficiency Motor: **PEWWE40-18-324T**

**60 Hz**

WorldWide Electric Corporation

1 (800) 808-2131

Worldwideelectric.net



Document Generated: 31-Jul-2023  
Document ID:

Customer:

MOTOR INFORMATION	
HP	40
RPM	1800
Phase	3
Frequency	60Hz
Voltage	230/460 V
Frame Size	324T
Enclosure	TEFC
Degree of Protection	IP55
Service Factor	1.25
Poles	4
Full Load Speed	1775
Insulation Class	F
Temp Rise	80°C
NEMA Code Letter	G
Duty Cycle	S1 / Continuous
Slip	1.40%
NEMA Design	B
Moment of Inertia	5.74 lb.ft.^2
Locked Rotor Time (Hot)	14 seconds
Sound Pressure Level	71 dB(A)
Number of Starts	2 Cold/ 1 Hot
Max Ambient Temperature	40°C
Max Elevation	1000 m.a.s.l (3300 f.a.s.l)
Mounting	F1
Rotation	Bi-Directional
Area of Classification	Class 1 Division 2 Groups A,B,C,D T3C(160°C)
Inverter Rating	10:1 CT / 20:1 VT PWM Type
Standard	NEMA MG-1
Approvals	CSA-US, CE

EFFICIENCY/POWER FACTOR		
LOAD	EFF	P. F.
100%	94.1 %	0.85
75%	94.6 %	0.82
50%	94.4 %	0.72

TORQUE		
FULL LOAD	LRT	BDT
118 lb.ft.	160 %	250 %

AMPERAGE INFORMATION		
	230V	460V
Full Load Amps	93.7A	46.8A
Locked Rotor Amps	580A	290A
No Load Current	36.2A	18.1A
Usable at 208V	104A	

BEARING INFORMATION	
DE Bearing	6312 C3
ODE Bearing	6311 C3
Grease Type	SKF LGHP 2
DE Regreasing Interval	4000 Hours
ODE Regreasing Interval	4000 Hours

ADDITIONAL DATA	
F2 Suitable	Yes
Shaft Material	1045 Carbon Steel
Connection Diagram	230 / 460 V - 12 Lead Δ
Approximate Weight	513 lbs.

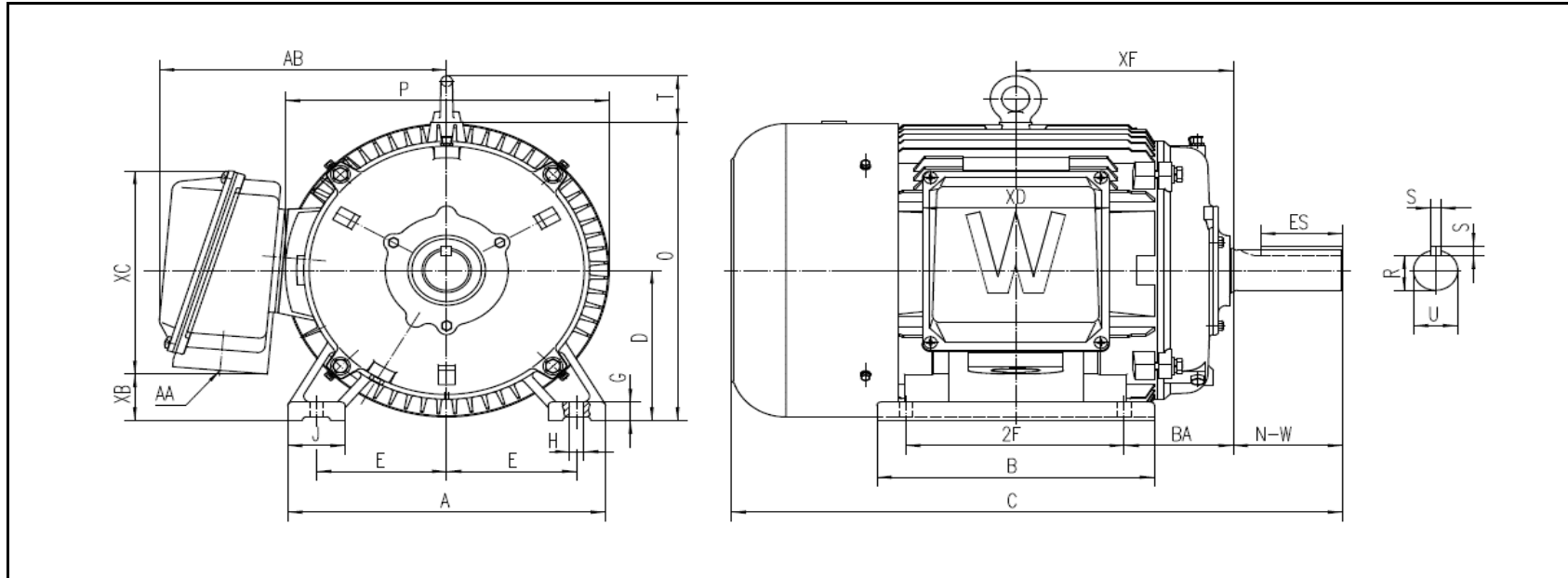
# MOTOR DRAWING

Premium Efficiency Motor: **PEWWE40-18-324T**

WorldWide Electric Corporation

1 (800) 808-2131

Worldwideelectric.net



## DIMENSION - INCHES

MOUNTING					A	B	C	D	G	J	P	O	T	AB
E	2F1	2F	H	BA										
6.25	--	10.5	0.66	5.25	15.276	13.346	29.392	8	0.984	2.756	15.751	15.913	2.441	13.813

SHAFT & KEY				
S	ES	R	N-W	U
0.5	3.91	1.845	5.25	2.125

TERMINAL BOX				
AA	XB	XC	XD	XF
2	2.471	10.826	8.976	10.461

# PERFORMANCE CURVES

WorldWide Electric Corporation

1 (800) 808-2131

Worldwideelectric.net



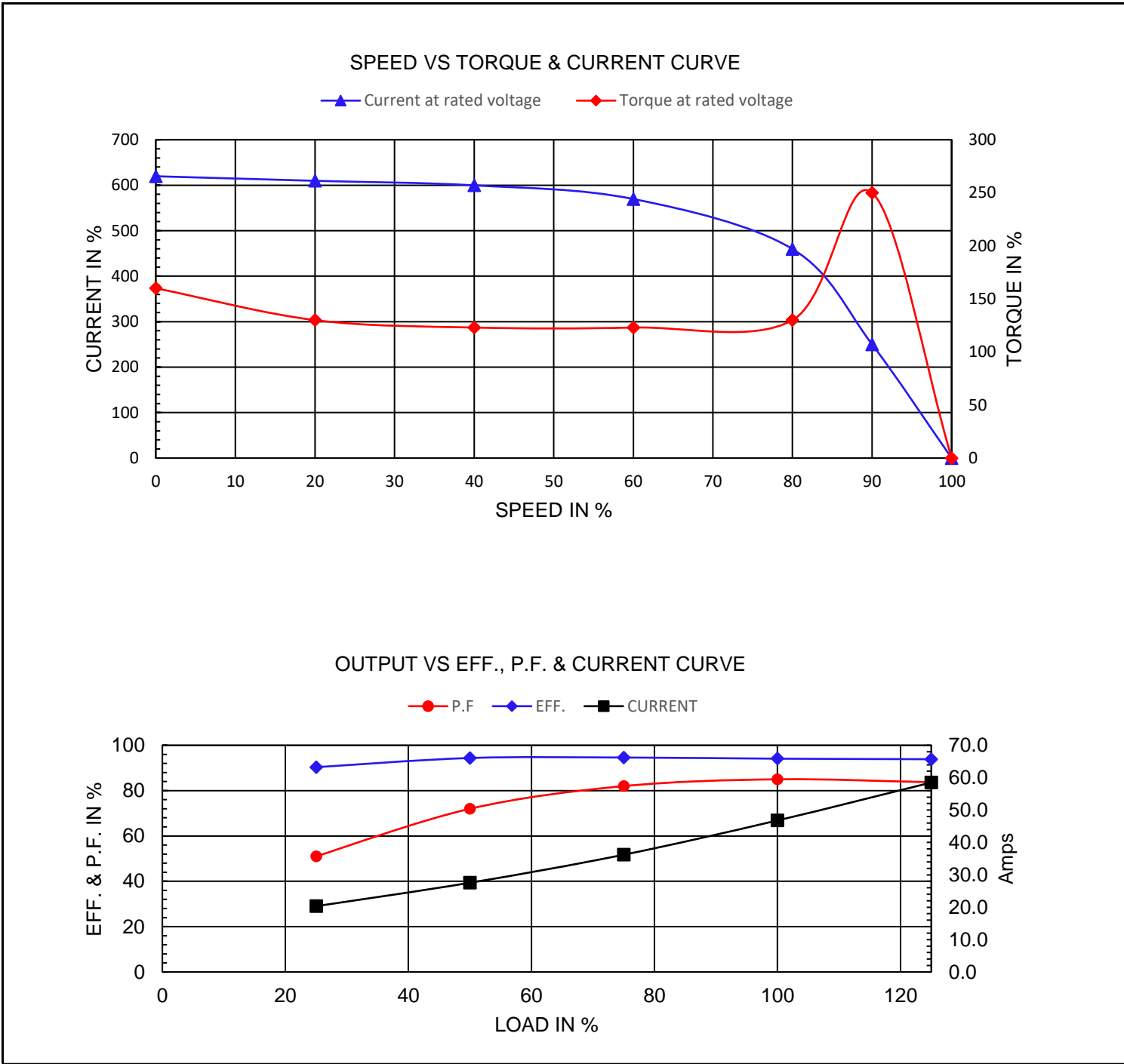
Premium Efficiency Motor:

**PEWWE40-18-324T**

Document Generated: 31-Jul-2023  
Document ID:

Customer:

Motor Type	PEWWE		FL Speed	1775		
Output Rating (HP)	40		LRT (%FLT)	160	460 volt FLA	46.8 A
Full Load Torque	118 lb.ft		BDT (%FLT)	250	230 volt FLA	93.7 A
Rotor Wk <sup>2</sup>	5.74 lb-ft <sup>2</sup>					



# NAMEPLATE / WIRING

WorldWide Electric Corporation

1 (800) 808-2131

Worldwideelectric.net



Premium Efficiency Motor:

**PEWWE40-18-324T**

Document Generated: 31-Jul-2023  
Document ID:

Customer:

## SAMPLE NAMEPLATE DATA

		<b>NEMA Premium</b>		<b>3-PHASE INDUCTION MOTOR</b>		259277		<b>CE</b>															
Model		Ser No.				<table border="1"> <tr><td>6</td><td>4</td><td>5</td></tr> <tr><td>7</td><td>8</td><td>9</td></tr> <tr><td>12</td><td>10</td><td>11</td></tr> <tr><td>1</td><td>2</td><td>3</td></tr> <tr><td>L1</td><td>L2</td><td>L3</td></tr> </table>			6	4	5	7	8	9	12	10	11	1	2	3	L1	L2	L3
6	4	5																					
7	8	9																					
12	10	11																					
1	2	3																					
L1	L2	L3																					
HP	S.F.	IP	Encl																				
Frame	P.F.	Code	Type																				
Voltage	230/460	Hz	Ins Cl	Rating	°C Amb Cont																		
Amps		RPM	Design	Date																			
Nom.Eff.	FL	% 3/4	% 230/460 V	10:1 CT	20:1 VT	PWM	VFD	1.0SF															
Class I DIV. 2 Groups A B C D		Amb.40°C	DE Brng																				
Class I Zone 2 IIC		Amb.55°C	ODE Brng																				
			Grease type: LGHP 2 (compatible with polyrex)																				
50Hz		HP	V	A	rpm	1.0SF																	

Model

HP  S.F.  IP  Encl

Frame  P.F.  Code  Type

Voltage  Hz  Ins Cl  Ambient

Amps  RPM  Design  DE Brng 6312 C3

Nom.Eff.     ODE Brng 6311 C3

Grease type: SKF LGHP 2