

DATA SHEET

Premium Efficiency Motor: **PEWWE40-18-324TC**

60 Hz

WorldWide Electric Corporation

1 (800) 808-2131

Worldwideelectric.net



Document Generated: 1-Aug-2023
Document ID:

Customer:

| MOTOR INFORMATION | |
|-------------------------|--|
| HP | 40 |
| RPM | 1800 |
| Phase | 3 |
| Frequency | 60Hz |
| Voltage | 230/460 V |
| Frame Size | 324TC |
| Enclosure | TEFC |
| Degree of Protection | IP55 |
| Service Factor | 1.25 |
| Poles | 4 |
| Full Load Speed | 1775 |
| Insulation Class | F |
| Temp Rise | 80°C |
| NEMA Code Letter | G |
| Duty Cycle | S1 / Continuous |
| Slip | 1.40% |
| NEMA Design | B |
| Moment of Inertia | 5.74 lb.ft.^2 |
| Locked Rotor Time (Hot) | 14 seconds |
| Sound Pressure Level | 71 dB(A) |
| Number of Starts | 2 Cold/ 1 Hot |
| Max Ambient Temperature | 40°C |
| Max Elevation | 1000 m.a.s.l (3300 f.a.s.l) |
| Mounting | F1 |
| Rotation | Bi-Directional |
| Area of Classification | Class 1 Division 2 Groups A,B,C,D T3C(160°C) |
| Inverter Rating | 10:1 CT / 20:1 VT PWM Type |
| Standard | NEMA MG-1 |
| Approvals | CSA-US, CE |

| EFFICIENCY/POWER FACTOR | | |
|-------------------------|--------|-------|
| LOAD | EFF | P. F. |
| 100% | 94.1 % | 0.85 |
| 75% | 94.6 % | 0.82 |
| 50% | 94.4 % | 0.72 |

| TORQUE | | |
|------------|-------|-------|
| FULL LOAD | LRT | BDT |
| 118 lb.ft. | 160 % | 250 % |

| AMPERAGE INFORMATION | | |
|----------------------|-------|-------|
| | 230V | 460V |
| Full Load Amps | 93.7A | 46.8A |
| Locked Rotor Amps | 580A | 290A |
| No Load Current | 36.2A | 18.1A |
| Usable at 208V | 104A | |

| BEARING INFORMATION | |
|-------------------------|------------|
| DE Bearing | 6312 C3 |
| ODE Bearing | 6311 C3 |
| Grease Type | SKF LGHP 2 |
| DE Regreasing Interval | 4000 Hours |
| ODE Regreasing Interval | 4000 Hours |

| ADDITIONAL DATA | |
|--------------------|-------------------------|
| F2 Suitable | Yes |
| Shaft Material | 1045 Carbon Steel |
| Connection Diagram | 230 / 460 V - 12 Lead Δ |
| Approximate Weight | 513 lbs. |

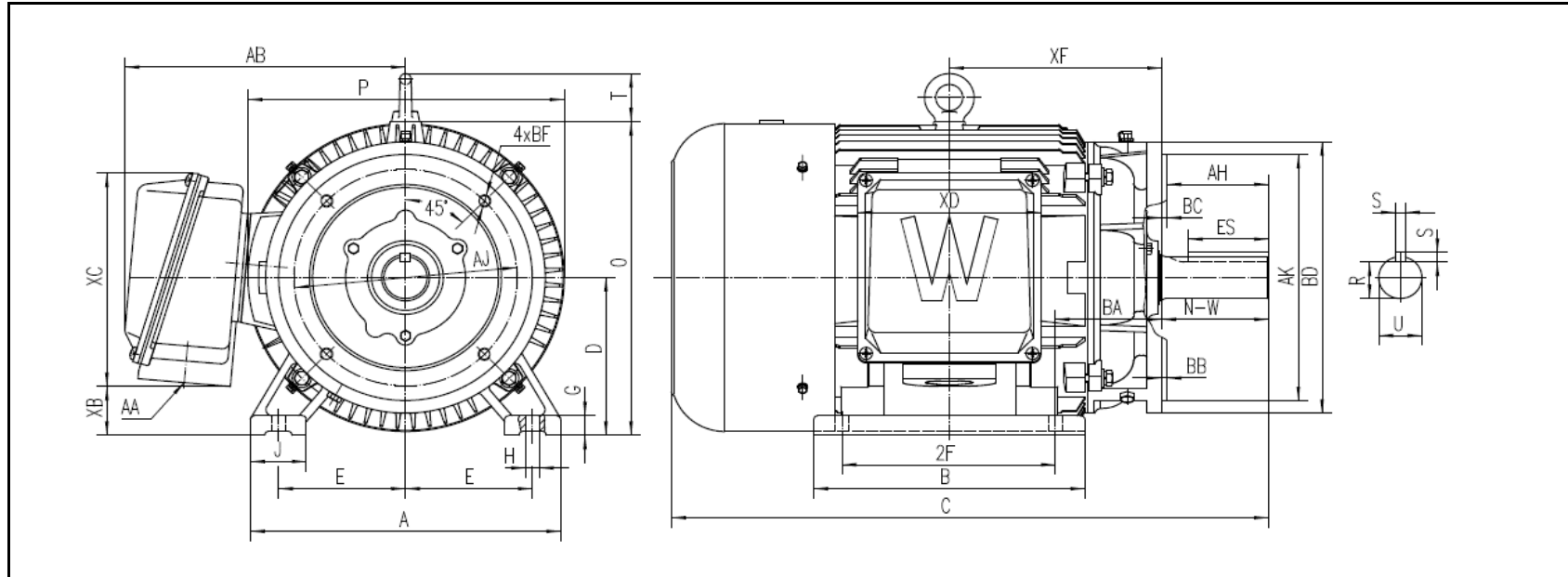
MOTOR DRAWING

Premium Efficiency Motor: **PEWWE40-18-324TC**

WorldWide Electric Corporation

1 (800) 808-2131

Worldwideelectric.net



DIMENSION - INCHES

| MOUNTING | | | | | A | B | C | D | G | J | P | O | T | AB |
|----------|-----|------|------|------|--------|--------|--------|---|-------|-------|--------|--------|-------|--------|
| E | 2F1 | 2F | H | BA | | | | | | | | | | |
| 6.25 | -- | 10.5 | 0.66 | 5.25 | 15.276 | 13.346 | 29.392 | 8 | 0.984 | 2.756 | 15.751 | 15.913 | 2.441 | 13.813 |

| SHAFT & KEY | | | | | |
|-------------|------|-------|------|----|-------|
| S | ES | R | N-W | AH | U |
| 0.5 | 3.91 | 1.845 | 5.25 | 5 | 2.125 |

| TERMINAL BOX | | | | |
|--------------|-------|--------|-------|--------|
| AA | XB | XC | XD | XF |
| 2 | 2.471 | 10.826 | 8.976 | 10.461 |

| FLANGE | | | | | |
|--------|------|------|-------|--------|------|
| AJ | AK | BB | BD | BF | BC |
| 11 | 12.5 | 0.25 | 13.78 | 5/8-11 | 0.25 |

PERFORMANCE CURVES

WorldWide Electric Corporation

1 (800) 808-2131

Worldwideelectric.net



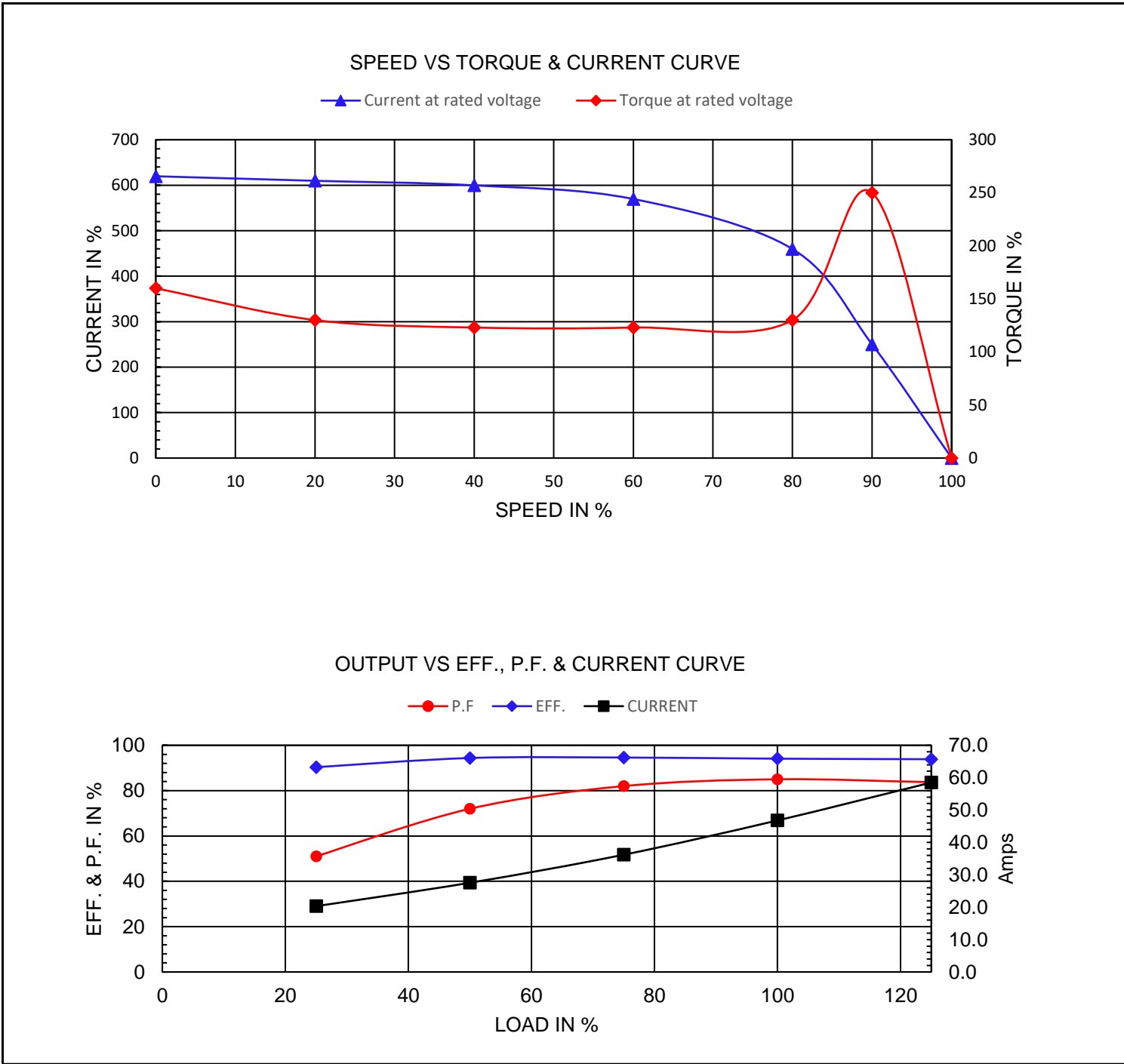
Premium Efficiency Motor:

PEWWE40-18-324TC

Document Generated: 1-Aug-2023
Document ID:

Customer:

| | | | |
|-----------------------|-------------------------|--------------|------|
| Motor Type | PEWWE | | |
| Output Rating (HP) | 40 | FL Speed | 1775 |
| Full Load Torque | 118 lb.ft | LRT (%FLT) | 160 |
| Rotor Wk ² | 5.74 lb-ft ² | BDT (%FLT) | 250 |
| | | 460 volt FLA | 46.8 |
| | | 230 volt FLA | 93.7 |



NAMEPLATE / WIRING

Premium Efficiency Motor: **PEWWE40-18-324TC**

WorldWide Electric Corporation

1 (800) 808-2131

Worldwideelectric.net



Document Generated: 1-Aug-2023
Document ID:

Customer:

SAMPLE NAMEPLATE DATA

| | | | | | | | |
|-------------------------------|----------------------|---------------------|---|--------------------------------|----------------------|-------------|-------------------------------|
| | | NEMA Premium | | 3-PHASE INDUCTION MOTOR | | 259277 | CE CC006A |
| Model | <input type="text"/> | Ser No. | <input type="text"/> | | | | |
| HP | <input type="text"/> | S.F. | <input type="text"/> | IP | <input type="text"/> | Encl | <input type="text"/> |
| Frame | <input type="text"/> | P.F. | <input type="text"/> | Code | <input type="text"/> | Type | <input type="text"/> |
| Voltage | <input type="text"/> | Hz | <input type="text"/> | Ins Cl | <input type="text"/> | Rating | <input type="text"/> |
| Amps | <input type="text"/> | RPM | <input type="text"/> | Design | <input type="text"/> | Date | <input type="text"/> |
| Nom. Eff. | <input type="text"/> | FL | <input type="text"/> | % 3/4 | <input type="text"/> | % 230/460 V | 10:1 CT 20:1 VT PWM VFD 1.0SF |
| Class I DIV. 2 Groups A B C D | | Amb.40°C | DE Brng | | | | |
| Class I Zone 2 II C | | Amb.55°C | ODE Brng | | | | |
| | | | Grease type: LGHP 2 (compatible with polyrex) | | | | |
| 50Hz | | HP | V | A | rpm | 1.0SF | |

| | | | | | | | |
|-----------------------------------|---|------------------------------------|-----------------------------------|------------------------------------|-----------------------------------|------------|--------------------------------------|
| Model | <input type="text" value="PEWWE40-18-324TC"/> | | | | | | |
| HP | <input type="text" value="40"/> | S.F. | <input type="text" value="1.25"/> | IP | <input type="text" value="IP55"/> | Encl | <input type="text" value="TEFC"/> |
| Frame | <input type="text" value="324TC"/> | P.F. | <input type="text" value="0.85"/> | Code | <input type="text" value="G"/> | Type | |
| Voltage | <input type="text" value="230/460 V"/> | Hz | <input type="text" value="60Hz"/> | Ins Cl | <input type="text" value="F"/> | Ambient | <input type="text" value="40°C"/> |
| Amps | <input type="text" value="93.7/46.8"/> | RPM | <input type="text" value="1775"/> | Design | <input type="text" value="B"/> | DE Brng | <input type="text" value="6312 C3"/> |
| Nom. Eff. | <input type="text" value="FL"/> | <input type="text" value="94.1%"/> | <input type="text" value="3/4"/> | <input type="text" value="94.6%"/> | | ODE Brng | <input type="text" value="6311 C3"/> |
| Class 1 Division 2 Groups A,B,C,D | | | | | | T3C(160°C) | Grease type: SKF LGHP 2 |
| 50Hz | | 40 HP | 200/400 V | 110/54.9 A | 1475 rpm | | |