

DATA SHEET

Premium Efficiency Motor: **PEWWE40-18-324TZ-GD,**

60 Hz

WorldWide Electric Corporation

1 (800) 808-2131

Worldwideelectric.net



Document Generated: 11-Dec-2023
Document ID:

Customer:

MOTOR INFORMATION	
HP	40
RPM	1800
Phase	3
Frequency	60
Voltage	230/460
Frame Size	324TZ
Enclosure	TEFC
Degree of Protection	IP55
Service Factor	1.25
Poles	4
Full Load Speed	1775
Insulation Class	F
Temp Rise	80°C
NEMA Code Letter	G
Duty Cycle	S1 / Continuous
Slip	1.40%
NEMA Design	B
Moment of Inertia	5.74 lb.ft.^2
Locked Rotor Time (Hot)	14 seconds
Sound Pressure Level	71 dB(A)
Number of Starts	2 Cold / 1 Hot
Max Ambient Temperature	40°C
Max Elevation	1000 m.a.s.l (3300 f.a.s.l)
Mounting	F1
Rotation	Bi-Directional
Area of Classification	Class 1 Division 2 Groups A,B,C,D - T3C
Inverter Rating	10:1 CT / 20:1 VT
Standard	NEMA MG-1
Approvals	CSA, CE

EFFICIENCY/POWER FACTOR		
LOAD	EFF	P. F.
100%	94.1 %	0.85
75%	94.6 %	0.82
50%	94.4 %	0.72

TORQUE		
FULL LOAD	LRT	BDT
118 lb.ft.	160 %	250 %

AMPERAGE INFORMATION		
	230V	460V
Full Load Amps	93.7A	46.8A
Locked Rotor Amps	580A	290A
No Load Current	36.2A	18.1A

BEARING INFORMATION	
DE Bearing	6312ZZ C3
ODE Bearing	6311ZZ C3

ADDITIONAL DATA	
F2 Suitable	Y
Shaft Material	1045 Carbon Steel
Connection Diagram	230 / 460 V - 12 Lead Δ
Lead Length	72 inches
Approximate Weight	520 lbs.

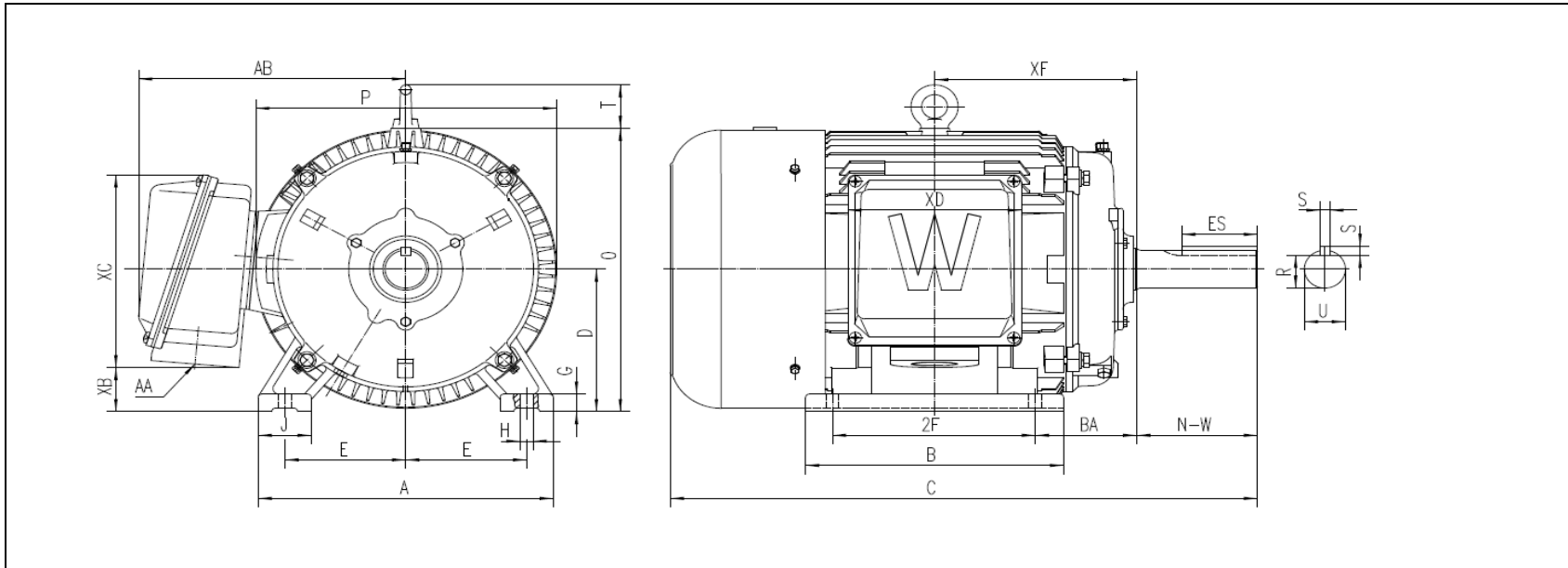
MOTOR DRAWING

Premium Efficiency Motor: **PEWWE40-18-324TZ-GD**

WorldWide Electric Corporation

1 (800) 808-2131

Worldwideelectric.net



DIMENSION - INCHES

MOUNTING					A	B	C	D	G	J	P	O	T	AB
E	2F1	2F2	H	BA										
6.25	--	10.5	0.66	5.25	15.276	13.346	30.392	8	0.984	2.756	15.571	15.913	2.441	13.813

SHAFT & KEY				
S	ES	R	N-W	U
0.5	3.91	1.845	6.25	2.125

TERMINAL BOX				
AA	XB	XC	XD	XE
2	2.471	10.826	8.976	10.461

PERFORMANCE CURVES

WorldWide Electric Corporation

1 (800) 808-2131

Worldwideelectric.net



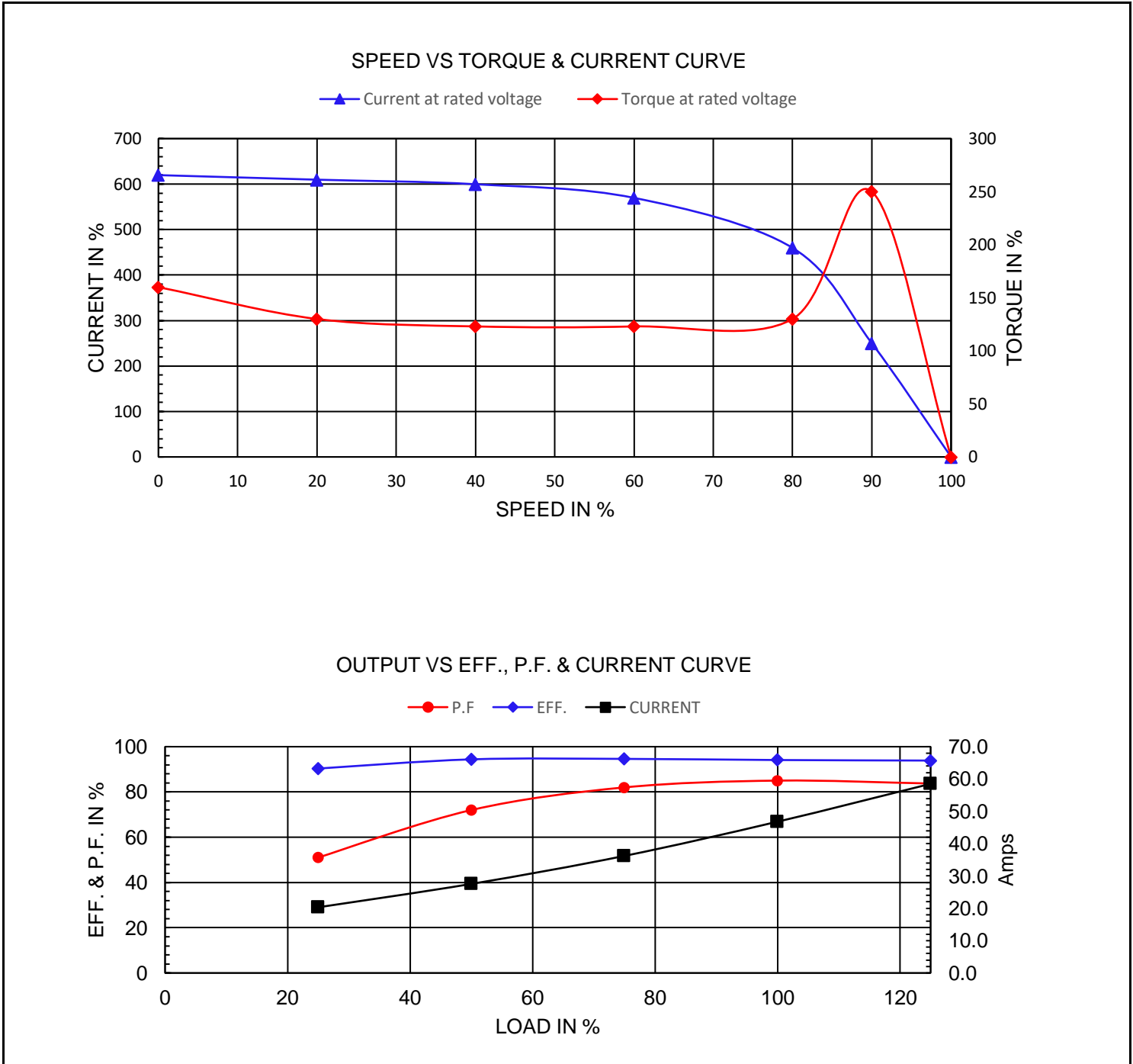
Premium Efficiency Motor:

PEWWE40-18-324TZ-GD

Document Generated: 11-Dec-2023
Document ID:

Customer:

Motor Type	PEWWE				
Output Rating (HP)	40		FL Speed	1775	
Full Load Torque	118	lb.ft	LRT (%FLT)	160	460 volt FLA 46.8
Rotor Wk ²	5.74	lb-ft ²	BDT (%FLT)	250	230 volt FLA 93.7



NAMEPLATE / WIRING

WorldWide Electric Corporation

1 (800) 808-2131

Worldwideelectric.net



Premium Efficiency Motor: **PEWWE40-18-324TZ-GD**

Document Generated: 11-Dec-2023
Document ID:

Customer:

SAMPLE NAMEPLATE DATA

		NEMA Premium		3-PHASE INDUCTION MOTOR		259277 		CC006A
Model				Ser No.				Low Voltage 6 4 5 7 8 9 12 10 11 1 2 3 L1 L2 L3 High Voltage 4 5 6 7 8 9 12 10 11 1 2 3 L1 L2 L3
HP		S.F.		IP		Encl		
Frame		P.F.		Code		Type		
Voltage	230/460	Hz		Ins Cl		Rating	°C Amb Cont	
Amps		RPM		Design		Date		
Nom.Eff.	FL	% 3/4		% 230/460 V	10:1 CT 20:1 VT PWM VFD	1.0SF		
Class I DIV. 2 Groups A B C D				Amb.40°C				
Class I Zone 2 IIC				Amb.55°C				
				DE Brng				
				ODE Brng				
50Hz		HP		V		A	rpm	1.0SF
WorldWide Electric Corporation								

Model	PEWWE40-18-324TZ-GD						
HP	40	S.F.	1.25	IP	IP55	Encl	TEFC
Frame	324TZ	P.F.	0.85	Code	G	Type	BJPE
Voltage	230/460	Hz	60	Ins Cl	F	Rating	40°C
Amps	93.7/46.8	RPM	1775	Design	B	DE Brng	6312ZZ C3
Nom.Eff.	94.1%	3/4 Eff	94.6%			ODE Brng	6311ZZ C3
50Hz							
HP	40	Volts	200/400	200V FLA	110A	RPM	1475
				400V FLA	54.9		