

DATA SHEET

Premium Efficiency Motor: **PEWWE40-18-575-324TC**

60 Hz

WorldWide Electric Corporation

1 (800) 808-2131

Worldwideelectric.net



Document Generated: 15-Mar-2023
Document ID:

Customer:

MOTOR INFORMATION	
HP	40
RPM	1800
Phase	3
Frequency	60Hz
Voltage	575 V
Frame Size	324TC
Enclosure	TEFC
Degree of Protection	IP55
Service Factor	1.25
Poles	4
Full Load Speed	1775
Insulation Class	F
Temp Rise	80°C
NEMA Code Letter	G
Duty Cycle	S1 / Continuous
Slip	1.40%
NEMA Design	B
Moment of Inertia	5.74 lb.ft.^2
Locked Rotor Time (Hot)	14 seconds
Sound Pressure Level	71 dB(A)
Number of Starts	2 Cold/ 1 Hot
Max Ambient Temperature	40°C
Max Elevation	1000 m.a.s.l (3300 f.a.s.l)
Mounting	F1
Rotation	Bi-Directional
Area of Classification	Class I, Division 2, Groups A, B, C, D
Inverter Rating	10:1 CT / 20:1 VT PWM Type
Standard	NEMA MG-1
Approvals	CSA-US, CE

EFFICIENCY/POWER FACTOR		
LOAD	EFF	P. F.
100%	94.1 %	0.85
75%	94.6 %	0.82
50%	94.4 %	0.72

TORQUE		
FULL LOAD	LRT	BDT
118 lb.ft.	160 %	250 %

AMPERAGE INFORMATION		
	575V	
Full Load Amps	37.5A	
Locked Rotor Amps	232A	
No Load Current	14.7A	

BEARING INFORMATION	
DE Bearing	6312 C3
ODE Bearing	6311 C3
Grease Type	SKF LGHP 2
DE Regreasing Interval	4000 Hours
ODE Regreasing Interval	4000 Hours

ADDITIONAL DATA	
F2 Suitable	Yes
Shaft Material	1045 Carbon Steel
Connection Diagram	575V - 6 Lead Δ
Approximate Weight	513 lbs.

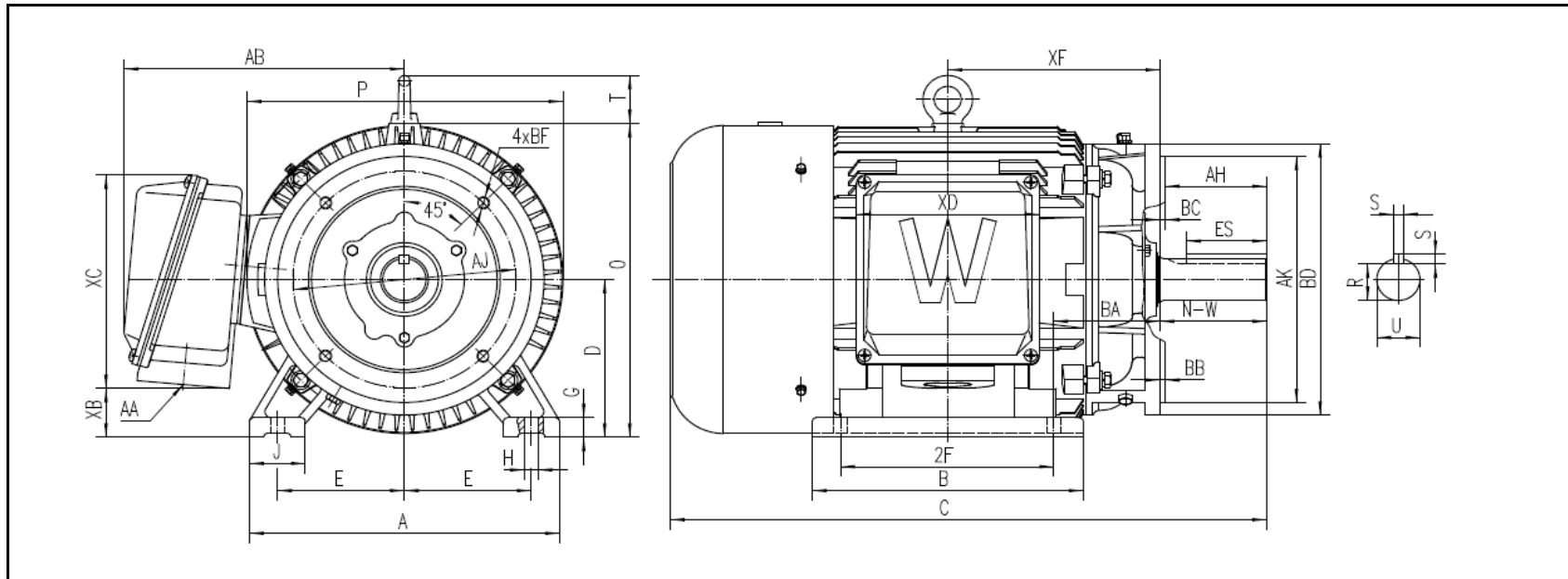
MOTOR DRAWING

Premium Efficiency Motor: **PEWWE40-18-575-324TC**

WorldWide Electric Corporation

1 (800) 808-2131

Worldwideelectric.net



DIMENSION - INCHES

MOUNTING					A	B	C	D	G	J	P	O	T	AB
E	2F1	2F	H	BA										
6.25	--	10.5	0.66	5.25	15.276	13.346	29.392	8	0.984	2.756	15.751	15.913	2.441	13.813

SHAFT & KEY					
S	ES	R	N-W	AH	U
0.5	3.91	1.845	5.25	5	2.125

TERMINAL BOX				
AA	XB	XC	XD	XF
2	2.471	10.826	8.976	10.461

FLANGE					
AJ	AK	BB	BD	BF	BC
11	12.5	0.25	13.78	5/8-11	0.25

PERFORMANCE CURVES

WorldWide Electric Corporation

1 (800) 808-2131

Worldwideelectric.net



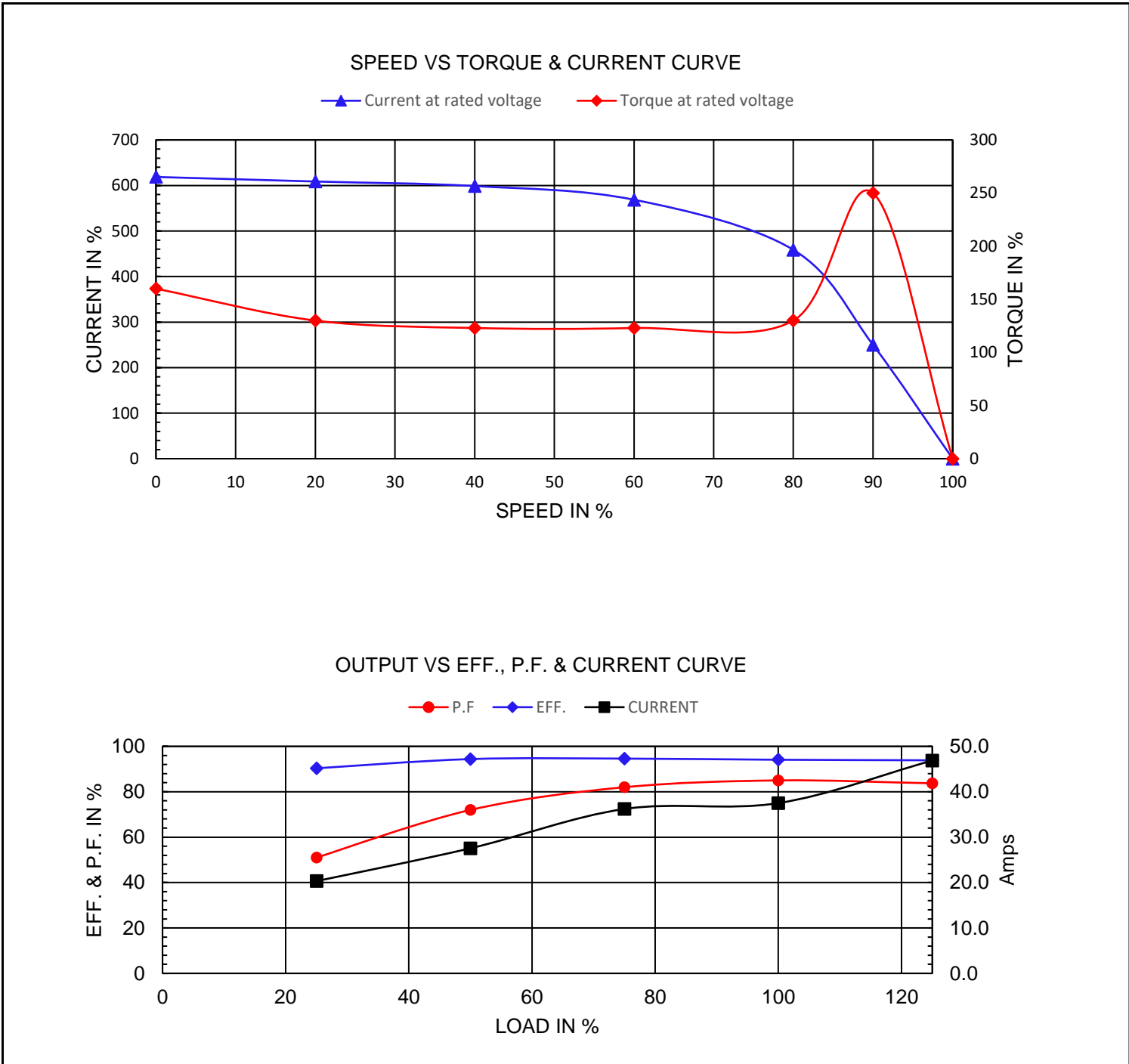
Premium Efficiency Motor:

PEWWE40-18-575-324TC

Document Generated: 15-Mar-2023
 Document ID:

Customer:

Motor Type	PEWWE		
Output Rating (HP)	40	FL Speed	1775
Full Load Torque	150 lb.ft	LRT (%FLT)	160
Rotor Wk ²	1.4 lb-ft ²	BDT (%FLT)	250
		575 Volt FLA	37.5A



NAMEPLATE / WIRING

WorldWide Electric Corporation

1 (800) 808-2131

Worldwideelectric.net



Premium Efficiency Motor: **PEWWE40-18-575-324TC**

Document Generated: 15-Mar-2023
Document ID:

Customer:

SAMPLE NAMEPLATE DATA

		NEMA Premium		3-PHASE INDUCTION MOTOR		259277	CE	
							CC006A	
Model				Ser No.			Connection	
HP		S.F.		IP		Encl		
Frame		P.F.		Code		Type		
Voltage		Hz		Ins Cl		Rating		°C Amb Cont
Amps		RPM		Design		Date		
Nom. Eff.	FL	% 3/4	%	V	10:1 CT 20:1 VT PWM VFD	1.0SF		
Class I DIV. 2 Groups A B C D		Amb.40°C	T3C(160°C)	DE Brng				
Class I Zone 2 IIC		Amb.55°C	T3A(180°C)	ODE Brng				
				Grease type: LGHP 2 (compatible with polyrex)				
50Hz		HP	V	A	rpm	S.F.1.0		
WorldWide Electric Corporation								

Model	PEWWE40-18-575-324TC						
HP	40	S.F.	1.25	IP	IP55	Encl	TEFC
Frame	324TC	P.F.	0.85	Code	G	Amb.	40°C
Voltage	575 V	Hz	60Hz	Ins Cl	F	DE Brng	6312 C3
Amps	37.5A	RPM	1775	Design	B	ODE Brng	6311 C3
Nom. Eff.	FL	94.1%	3/4	94.6%			

50Hz	40 HP	500 V	43.9 A	1475 RPM
-------------	--------------	--------------	---------------	-----------------