

DATA SHEET

Premium Efficiency Motor: **PEWWE40-36-324TSC**

60 Hz

WorldWide Electric Corporation

1 (800) 808-2131

Worldwideelectric.net



Document Generated: 1-Aug-2023
Document ID:

Customer:

MOTOR INFORMATION	
HP	40
RPM	3600
Phase	3
Frequency	60 Hz
Voltage	230/460 V
Frame Size	324TSC
Enclosure	TEFC
Degree of Protection	IP55
Service Factor	1.25
Poles	2
Full Load Speed	3545
Insulation Class	F
Temp Rise	80°C
NEMA Code Letter	G
Duty Cycle	S1 / Continuous
Slip	1.53%
NEMA Design	B
Moment of Inertia	2.91 lb.ft.^2
Locked Rotor Time (Hot)	16 seconds
Sound Pressure Level	77 dB(A)
Number of Starts	2 Cold/ 1 Hot
Max Ambient Temperature	40°C
Max Elevation	1000 m.a.s.l (3300 f.a.s.l)
Mounting	F1
Rotation	Bi-Directional
Area of Classification	Class 1 Division 2 Groups A,B,C,D T3C(160°C)
Inverter Rating	10:1 CT / 20:1 VT PWM Type
Standard	NEMA MG-1
Approvals	CSA-US, CE

EFFICIENCY/POWER FACTOR		
LOAD	EFF	P. F.
100%	92.4 %	0.88
75%	92.8 %	0.85
50%	92.0 %	0.79

TORQUE		
FULL LOAD	LRT	BDT
59.2 lb.ft.	175 %	255 %

AMPERAGE INFORMATION		
	230V	460V
Full Load Amps	92.1A	46.1A
Locked Rotor Amps	580A	290A
No Load Current	26A	13A
Usable at 208V	102A	

BEARING INFORMATION	
DE Bearing	6312 C3
ODE Bearing	6311 C3
Grease Type	SKF LGHP 2
DE Regreasing Interval	2400 Hours
ODE Regreasing Interval	2400 Hours

ADDITIONAL DATA	
F2 Suitable	Yes
Shaft Material	1045 Carbon Steel
Connection Diagram	230 / 460 V - 12 Lead Δ
Approximate Weight	470 lbs.

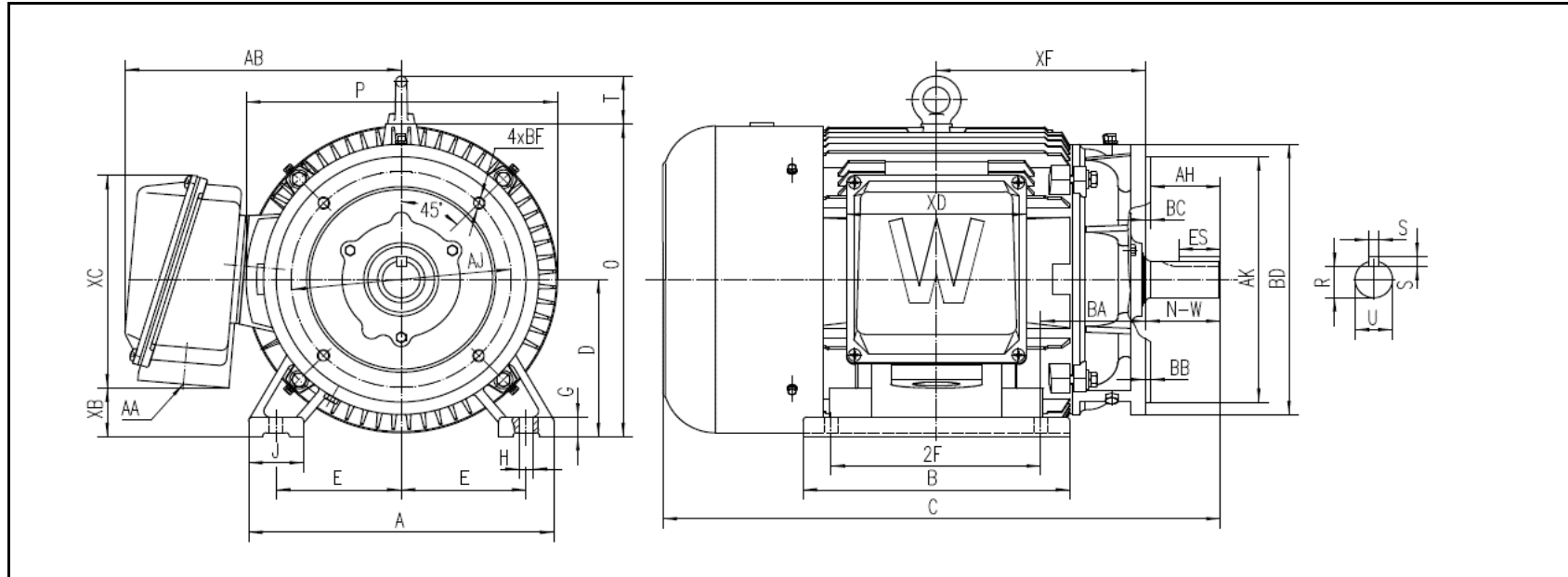
MOTOR DRAWING

Premium Efficiency Motor: **PEWWE40-36-324TSC**

WorldWide Electric Corporation

1 (800) 808-2131

Worldwideelectric.net



DIMENSION - INCHES

MOUNTING					A	B	C	D	G	J	P	O	T	AB
E	2F1	2F	H	BA										
6.25	--	10.5	0.66	5.25	15.276	13.346	27.882	8	0.984	2.756	15.571	15.913	2.441	13.813

SHAFT & KEY					
S	ES	R	N-W	AH	U
0.5	2.03	1.591	3.75	3.5	1.875

TERMINAL BOX				
AA	XB	XC	XD	XF
2	2.471	10.826	8.976	10.461

FLANGE					
AJ	AK	BB	BD	BF	BC
11	12.5	0.25	13.78	5/8-11	0.25

PERFORMANCE CURVES

WorldWide Electric Corporation

1 (800) 808-2131

Worldwideelectric.net



Premium Efficiency Motor:

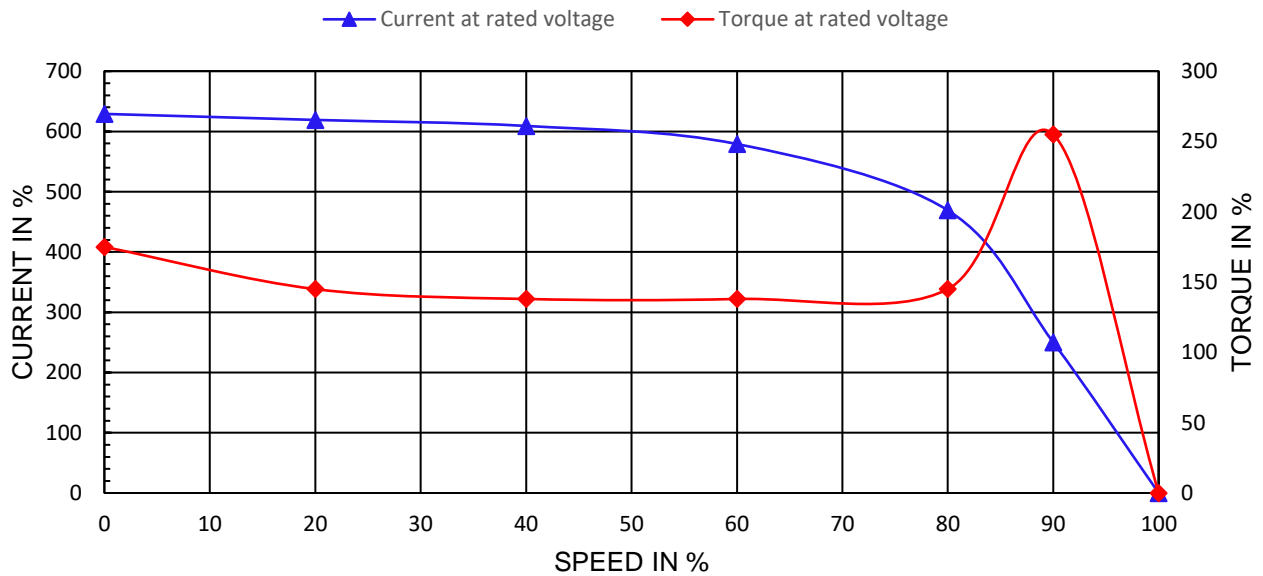
PEWWE40-36-324TSC

Document Generated: 1-Aug-2023
Document ID:

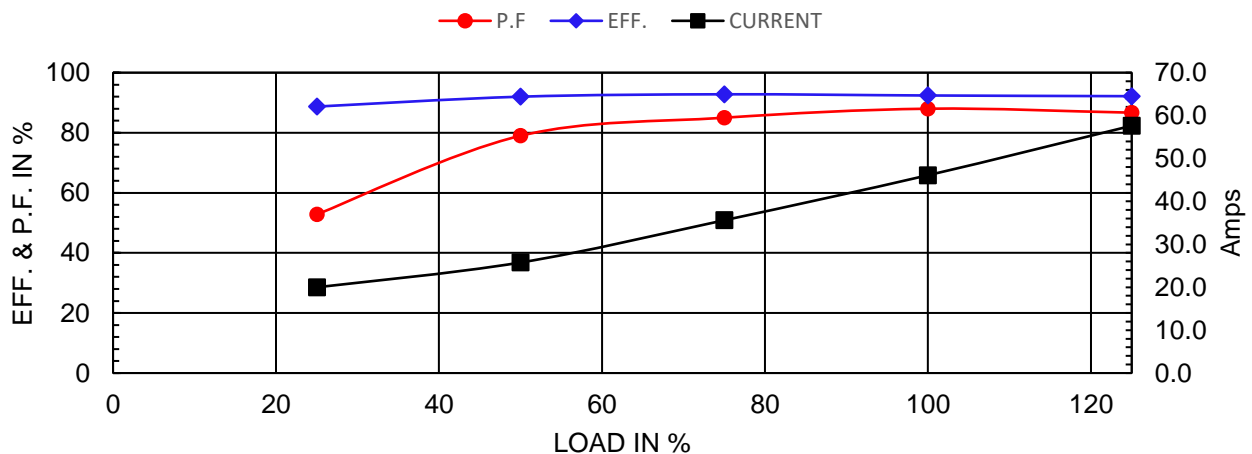
Customer:

Motor Type	PEWWE		FL Speed	3545	
Output Rating (HP)	40		LRT (%FLT)	175	460 volt FLA 46.1
Full Load Torque	59.2	lb.ft	BDT (%FLT)	255	230 volt FLA 92.1
Rotor Wk ²	2.91	lb-ft ²			

SPEED VS TORQUE & CURRENT CURVE



OUTPUT VS EFF., P.F. & CURRENT CURVE



NAMEPLATE / WIRING

WorldWide Electric Corporation

1 (800) 808-2131

Worldwideelectric.net



WORLDWIDE
ELECTRIC CORPORATION

Premium Efficiency Motor:

PEWWE40-36-324TSC

Document Generated: 1-Aug-2023
Document ID:

Customer:

SAMPLE NAMEPLATE DATA

		NEMA Premium		3-PHASE INDUCTION MOTOR		259277 	CE CC006A
Model	<input type="text"/>	Ser No.	<input type="text"/>				
HP	<input type="text"/>	S.F.	<input type="text"/>	IP	<input type="text"/>	Encl	<input type="text"/>
Frame	<input type="text"/>	P.F.	<input type="text"/>	Code	<input type="text"/>	Type	<input type="text"/>
Voltage	<input type="text"/>	Hz	<input type="text"/>	Ins Cl	<input type="text"/>	Rating	<input type="text"/>
Amps	<input type="text"/>	RPM	<input type="text"/>	Design	<input type="text"/>	Date	<input type="text"/>
Nom. Eff.	<input type="text"/>	FL	<input type="text"/>	% 3/4	<input type="text"/>	% 230/460 V	10:1 CT 20:1 VT PWM VFD 1.0SF
Class I DIV. 2 Groups A B C D		Amb.40°C	DE Brng				
Class I Zone 2 IIC		Amb.55°C	ODE Brng				
			Grease type: LGHP 2 (compatible with polyrex)				
50Hz		HP	V	A	rpm	1.0SF	

Model	<input type="text" value="PEWWE40-36-324TSC"/>						
HP	<input type="text" value="40"/>	S.F.	<input type="text" value="1.25"/>	IP	<input type="text" value="IP55"/>	Encl	<input type="text" value="TEFC"/>
Frame	<input type="text" value="324TSC"/>	P.F.	<input type="text" value="0.88"/>	Code	<input type="text" value="G"/>	Type	
Voltage	<input type="text" value="230/460 V"/>	Hz	<input type="text" value="60 Hz"/>	Ins Cl	<input type="text" value="F"/>	Ambient	<input type="text" value="40°C"/>
Amps	<input type="text" value="92.1/46.1"/>	RPM	<input type="text" value="3545"/>	Design	<input type="text" value="B"/>	DE Brng	6312 C3
Nom. Eff.	<input type="text" value="FL"/>	<input type="text" value="92.4%"/>	<input type="text" value="3/4"/>	<input type="text" value="92.8%"/>		ODE Brng	6311 C3
Class 1 Division 2 Groups A,B,C,D						T3C(160°C)	Grease type: SKF LGHP 2
50Hz	40 HP	200/400 V	106/53.2	A		2945 rpm	