

DATA SHEET

Premium Efficiency Motor: **PEWWE5-12-215TC**

60 Hz

WorldWide Electric Corporation

1 (800) 808-2131

Worldwideelectric.net



Document Generated: 1-Aug-2023

Document ID:

Customer:

MOTOR INFORMATION

HP	5
RPM	1200
Phase	3
Frequency	60 Hz
Voltage	230/460 V
Frame Size	215TC
Enclosure	TEFC
Degree of Protection	IP55
Service Factor	1.25
Poles	6
Full Load Speed	1175
Insulation Class	F
Temp Rise	80°C
NEMA Code Letter	J
Duty Cycle	S1 / Continuous
Slip	2.08%
NEMA Design	B
Moment of Inertia	0.799 lb.ft. ²
Locked Rotor Time (Hot)	15 seconds
Sound Pressure Level	64 dB(A)
Number of Starts	2 Cold/ 1 Hot
Max Ambient Temperature	40°C
Max Elevation	1000 m.a.s.l (3300 f.a.s.l)
Mounting	F1
Rotation	Bi-Directional
Area of Classification	Class 1 Division 2 Groups A,B,C,D T3C(160°C)
Inverter Rating	10:1 CT / 20:1 VT PWM Type
Standard	NEMA MG-1
Approvals	CSA-US, CE

EFFICIENCY/POWER FACTOR

LOAD	EFF	P. F.
100%	89.5 %	0.72
75%	89.6 %	0.67
50%	89.3 %	0.55

TORQUE

FULL LOAD	LRT	BDT
22.3 lb.ft.	155 %	250 %

AMPERAGE INFORMATION

	230V	460V
Full Load Amps	14.5A	7.27A
Locked Rotor Amps	92A	46A
No Load Current	7.6A	3.8A
Usable at 208V	16.1A	

BEARING INFORMATION

DE Bearing	6308ZZ C3
ODE Bearing	6207ZZ C3
Grease Type	--
DE Regreasing Interval	- Hours
ODE Regreasing Interval	- Hours

ADDITIONAL DATA

F2 Suitable	Yes
Shaft Material	1045 Carbon Steel
Connection Diagram	230 / 460 V - 9 Lead Y
Approximate Weight	179 lbs.

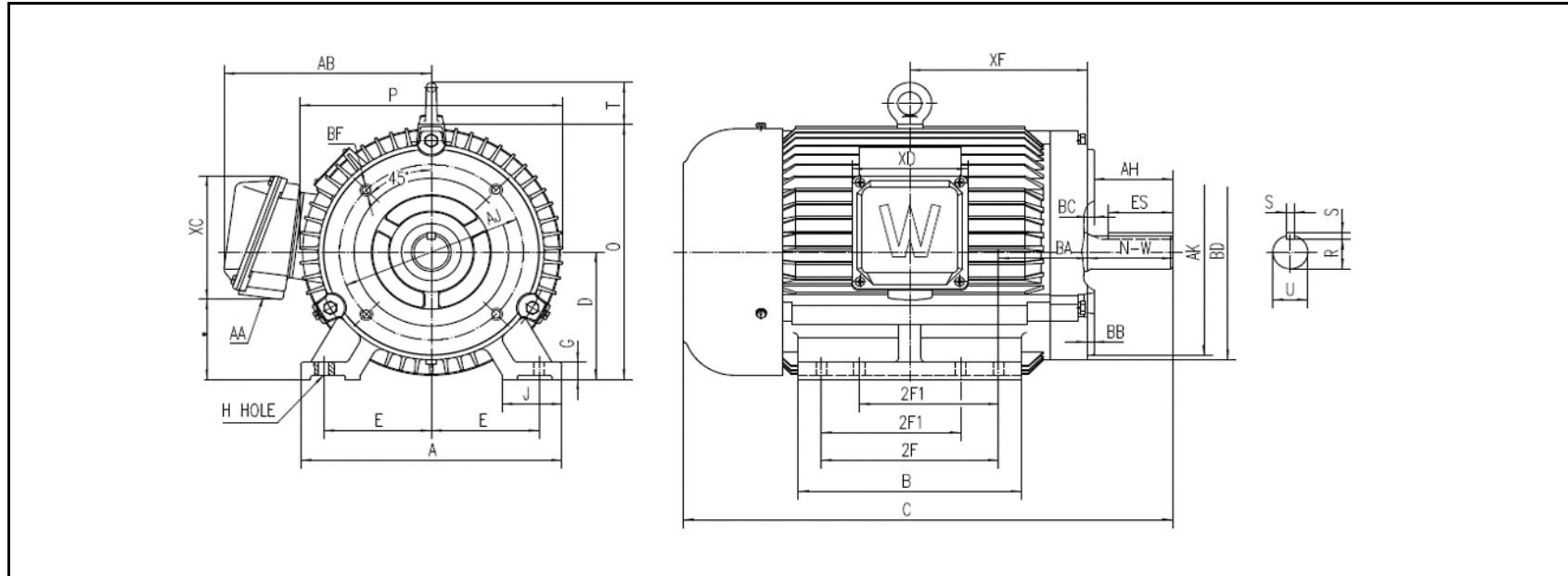
MOTOR DRAWING

Premium Efficiency Motor: **PEWWE5-12-215TC**

WorldWide Electric Corporation

1 (800) 808-2131

Worldwideelectric.net



DIMENSION - INCHES

MOUNTING					A	B	C	D	G	J	P	O	T	AB
E	2F1	2F	H	BA										
4.25	5.5	7	0.41	3.5	10.315	8.819	19.319	5.25	0.709	2.362	10.389	10.526	1.732	8.178

SHAFT & KEY					
S	ES	R	N-W	AH	U
0.312	2.41	1.201	3.38	3.12	1.375

TERMINAL BOX				
AA	XB	XC	XD	XF
1	3.296	5.098	4.567	7.002

FLANGE					
AJ	AK	BB	BD	BF	BC
7.25	8.5	0.25	8.898	1/2-13	0.25

PERFORMANCE CURVES

WorldWide Electric Corporation

1 (800) 808-2131

Worldwideelectric.net

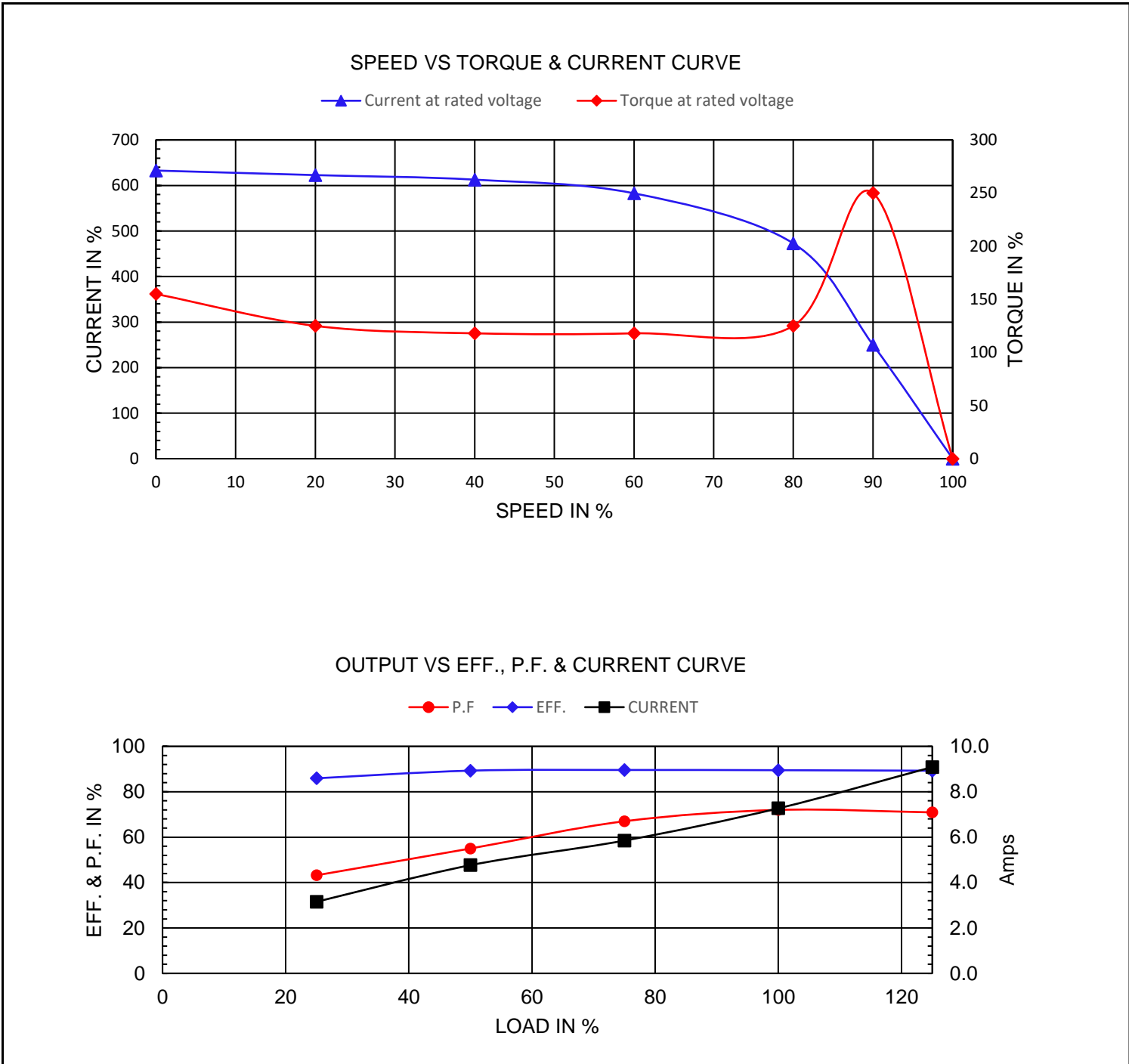


Premium Efficiency Motor:

PEWWE5-12-215TC

Document Generated:	1-Aug-2023	Customer:	
Document ID:			

Motor Type	PEWWE		
Output Rating (HP)	5	FL Speed	1175
Full Load Torque	22.3 lb.ft	LRT (%FLT)	155
		460 volt FLA	7.27
Rotor Wk ²	0.799 lb-ft ²	BDT (%FLT)	250
		230 volt FLA	14.5



NAMEPLATE / WIRING

Premium Efficiency Motor: **PEWWE5-12-215TC**

WorldWide Electric Corporation

1 (800) 808-2131

Worldwideelectric.net



Document Generated: 1-Aug-2023
Document ID:

Customer:

SAMPLE NAMEPLATE DATA

		NEMA Premium		3-PHASE INDUCTION MOTOR		259277			CC006A												
Model			Ser No.			<table border="1"> <tr><td>4</td><td>5</td><td>6</td></tr> <tr><td>7</td><td>8</td><td>9</td></tr> <tr><td>1</td><td>2</td><td>3</td></tr> <tr><td>L1</td><td>L2</td><td>L3</td></tr> </table>				4	5	6	7	8	9	1	2	3	L1	L2	L3
4	5	6																			
7	8	9																			
1	2	3																			
L1	L2	L3																			
HP	S.F.	IP	Encl																		
Frame	P.F.	Code	Type																		
Voltage	230/460	Hz	Ins Cl	Rating	°C Amb Cont																
Amps		RPM	Design	Date																	
Nom.Eff.	FL	% 3/4	% 230/460V	10:1 CT	20:1 VT	PWM	VFD	1.0SF													
Class I DIV. 2 Groups A B C D			Amb.40°C	T3C(160°C)	DE Brng																
Class I Zone 2 IIC			Amb.55°C	T3A(180°C)	ODE Brng																
			Grease type:																		
50Hz	HP	V	A	rpm	S.F1.0																
WorldWide Electric Corporation																					

Model	PEWWE5-12-215TC									
HP	5	S.F.	1.25	IP	IP55	Encl	TEFC			
Frame	215TC	P.F.	0.72	Code	J	Type				
Voltage	230/460 V	Hz	60 Hz	Ins Cl	F	Ambient	40°C			
Amps	14.5/7.27	RPM	1175	Design	B	DE Brng	6308ZZ C3			
Nom.Eff.	FL	89.5%	3/4	89.6%	ODE Brng		6207ZZ C3			
Class 1 Division 2 Groups A,B,C,D					T3C(160°C)	Grease type: --				
50Hz	5 HP	200/400 V	17.7/8.84 A	970 rpm						