

DATA SHEET

Premium Efficiency Motor: **PEWWE5-18-184TZ-GD,**

60 Hz

WorldWide Electric Corporation

1 (800) 808-2131

Worldwideelectric.net



Document Generated: 11-Dec-2023
Document ID:

Customer:

MOTOR INFORMATION	
HP	5
RPM	1800
Phase	3
Frequency	60
Voltage	230/460
Frame Size	184TZ
Enclosure	TEFC
Degree of Protection	IP55
Service Factor	1.25
Poles	4
Full Load Speed	1755
Insulation Class	F
Temp Rise	80°C
NEMA Code Letter	J
Duty Cycle	S1 / Continuous
Slip	2.50%
NEMA Design	B
Moment of Inertia	0.313 lb.ft.^2
Locked Rotor Time (Hot)	16 seconds
Sound Pressure Level	63 dB(A)
Number of Starts	2 Cold / 1 Hot
Max Ambient Temperature	40°C
Max Elevation	1000 m.a.s.l (3300 f.a.s.l)
Mounting	F1
Rotation	Bi-Directional
Area of Classification	Class 1 Division 2 Groups A,B,C,D - T3C
Inverter Rating	10:1 CT / 20:1 VT
Standard	NEMA MG-1
Approvals	CSA, CE

EFFICIENCY/POWER FACTOR		
LOAD	EFF	P. F.
100%	89.5 %	0.83
75%	90.0 %	0.77
50%	89.2 %	0.66

TORQUE		
FULL LOAD	LRT	BDT
15 lb.ft.	200 %	390 %

AMPERAGE INFORMATION		
	230V	460V
Full Load Amps	12.6A	6.3A
Locked Rotor Amps	92A	46A
No Load Current	5.7A	2.85A

BEARING INFORMATION	
DE Bearing	6206ZZ C3
ODE Bearing	6206ZZ C3

ADDITIONAL DATA	
F2 Suitable	N
Shaft Material	1045 Carbon Steel
Connection Diagram	230 / 460 V - 9 Lead Y
Lead Length	72 inches
Approximate Weight	103 lbs.

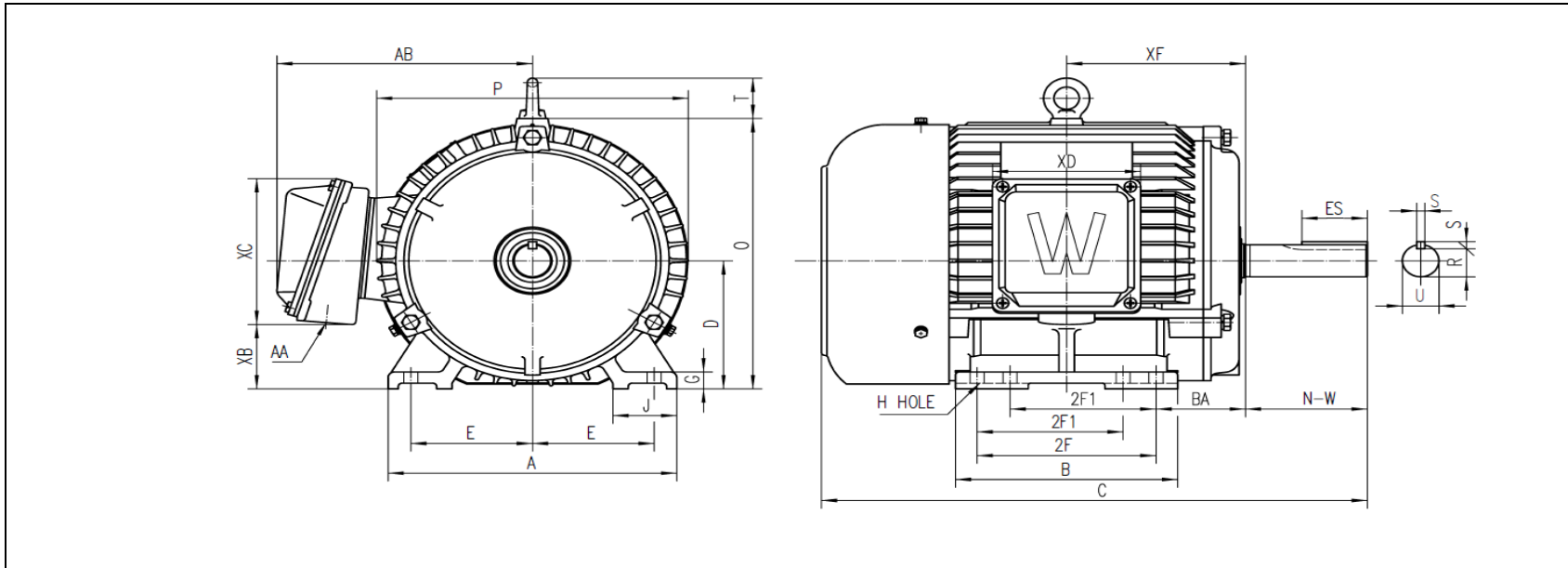
MOTOR DRAWING

Premium Efficiency Motor: **PEWWE5-18-184TZ-GD**

WorldWide Electric Corporation

1 (800) 808-2131

Worldwideelectric.net



DIMENSION - INCHES

MOUNTING					A	B	C	D	G	J	P	O	T	AB
E	2F1	2F2	H	BA										
3.75	4.5	5.5	0.41	2.75	8.898	6.852	16.827	4.5	0.591	1.969	9.606	9.5	1.417	7.876

SHAFT & KEY				
S	ES	R	N-W	U
0.25	1.78	0.986	3.75	1.125

TERMINAL BOX				
AA	XB	XC	XD	XE
1	2.26	5.124	4.567	5.509

PERFORMANCE CURVES

WorldWide Electric Corporation

1 (800) 808-2131

Worldwideelectric.net



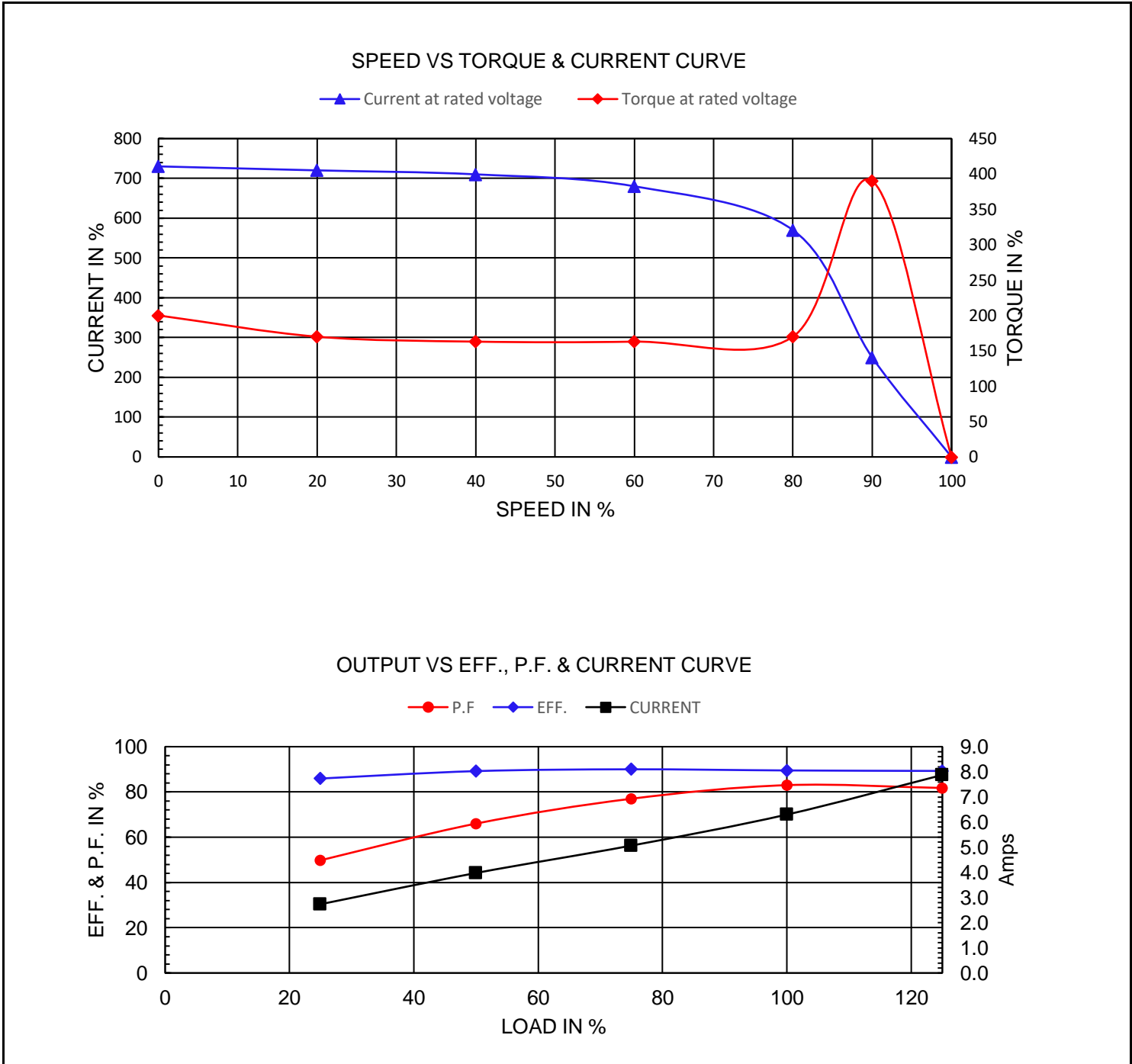
Premium Efficiency Motor:

PEWWE5-18-184TZ-GD

Document Generated: 11-Dec-2023
Document ID:

Customer:

Motor Type	PEWWE				
Output Rating (HP)	5	FL Speed	1755		
Full Load Torque	15 lb.ft	LRT (%FLT)	200	460 volt FLA	6.3
Rotor Wk ²	0.313 lb-ft ²	BDT (%FLT)	390	230 volt FLA	12.6



NAMEPLATE / WIRING

Premium Efficiency Motor: **PEWWE5-18-184TZ-GD**

WorldWide Electric Corporation

1 (800) 808-2131

Worldwideelectric.net



Document Generated: 11-Dec-2023
Document ID:

Customer:

SAMPLE NAMEPLATE DATA

		NEMA Premium		3-PHASE INDUCTION MOTOR		259277			CC006A
Model				Ser No.				Low Voltage 4-5-6 7-8-9 1-2-3 L1 L2 L3	
HP	S.F.			IP			Encl		
Frame	P.F.			Code			Type		
Voltage	230/460	Hz			Ins Cl			Rating	°C Amb Cont
Amps			RPM			Design			Date
Nom.Eff.	FL	% 3/4	% 230/460V	10:1 CT 20:1 VT PWM VFD 1.0SF					
				DE Brng					
Class I DIV. 2 Groups A B C D				Amb.40°C	T3C(160°C)	ODE Brng			
Class I Zone 2 IIC				Amb.55°C	T3A(180°C)	Grease type:			
50Hz		HP	V	A	rpm	S.F1.0			

Model	PEWWE5-18-184TZ-GD						
HP	5	S.F.	1.25	IP	IP55	Encl	TEFC
Frame	184TZ	P.F.	0.83	Code	J	Type	BJPE
Voltage	230/460	Hz	60	Ins Cl	F	Rating	40°C
Amps	12.6/6.3	RPM	1755	Design	B	DE Brng	6206ZZ C3
Nom.Eff.	89.5%	3/4 Eff	90.0%	ODE Brng			6206ZZ C3

50Hz							
HP	5	Volts	200/400	200V FLA	15A	RPM	1450
				400V FLA	7.49		