

# DATA SHEET

Premium Efficiency Motor: **PEWWE5-18-575-184T**

**60 Hz**

WorldWide Electric Corporation

1 (800) 808-2131

Worldwideelectric.net



Document Generated: 15-Feb-2023  
Document ID:

Customer:

MOTOR INFORMATION	
HP	5
RPM	1800
Phase	3
Frequency	60 Hz
Voltage	575 V
Frame Size	184T
Enclosure	TEFC
Degree of Protection	IP55
Service Factor	1.25
Poles	4
Full Load Speed	1755
Insulation Class	F
Temp Rise	80°C
NEMA Code Letter	J
Duty Cycle	S1 / Continuous
Slip	2.50%
NEMA Design	B
Moment of Inertia	0.313 lb.ft.^2
Locked Rotor Time (Hot)	16 seconds
Sound Pressure Level	63 dB(A)
Number of Starts	2 Cold/ 1 Hot
Max Ambient Temperature	40°C
Max Elevation	1000 m.a.s.l (3300 f.a.s.l)
Mounting	F1
Rotation	Bi-Directional
Area of Classification	Class I, Division 2, Groups A, B, C, D
Inverter Rating	10:1 CT / 20:1 VT PWM Type
Standard	NEMA MG-1
Approvals	CSA-US, CE

EFFICIENCY/POWER FACTOR		
LOAD	EFF	P. F.
100%	89.5 %	0.83
75%	90.0 %	0.77
50%	89.2 %	0.66

TORQUE		
FULL LOAD	LRT	BDT
15 lb.ft.	200 %	280 %

AMPERAGE INFORMATION		
	575V	
Full Load Amps	5.04A	
Locked Rotor Amps	36.8A	
No Load Current	2.3A	

BEARING INFORMATION	
DE Bearing	6206ZZ C3
ODE Bearing	6206ZZ C3
Grease Type	SKF LGHP 2
DE Regreasing Interval	- Hours
ODE Regreasing Interval	- Hours

ADDITIONAL DATA	
F2 Suitable	No
Shaft Material	1045 Carbon Steel
Connection Diagram	575V - 3 Lead Y
Approximate Weight	102 lbs.

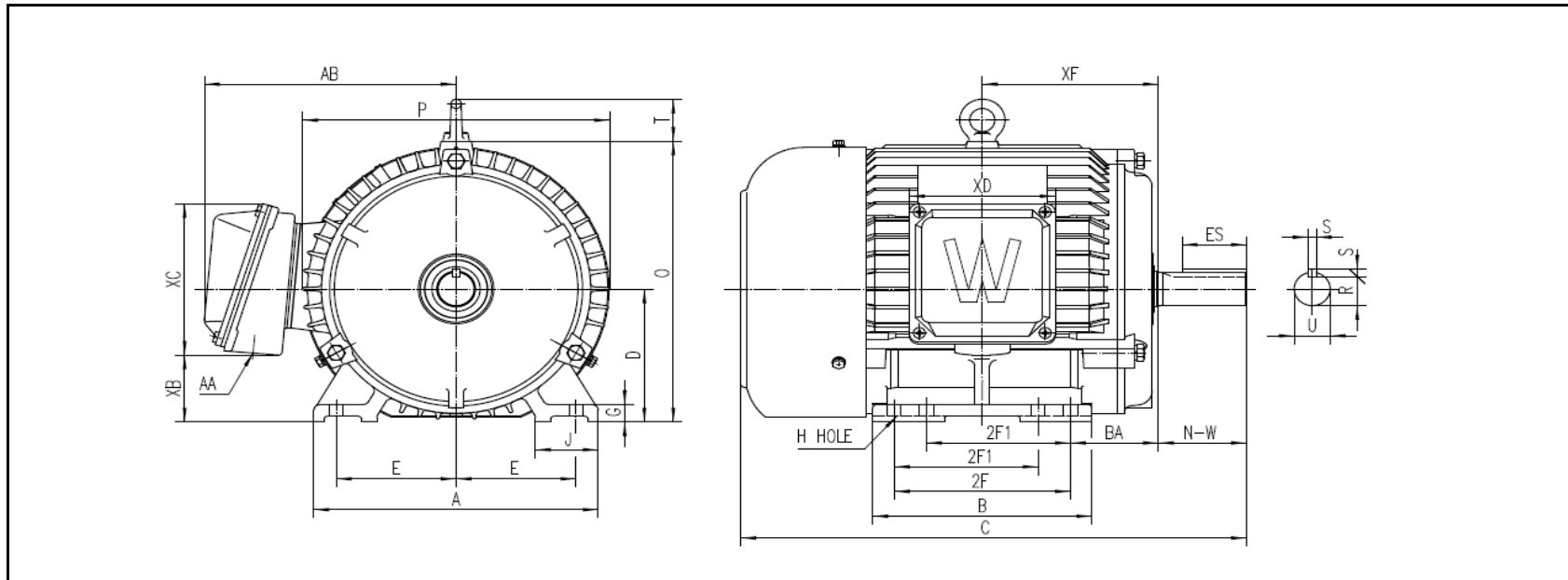
# MOTOR DRAWING

Premium Efficiency Motor: **PEWWE5-18-575-184T**

WorldWide Electric Corporation

1 (800) 808-2131

Worldwideelectric.net



## DIMENSION - INCHES

MOUNTING					A	B	C	D	G	J	P	O	T	AB
E	2F1	2F	H	BA										
3.75	4.5	5.5	0.41	2.75	8.898	6.852	15.827	4.5	0.591	1.969	9.606	9.5	1.417	7.876

SHAFT & KEY				
S	ES	R	N-W	U
0.25	1.78	0.986	2.75	1.125

TERMINAL BOX				
AA	XB	XC	XD	XF
1	2.26	5.124	4.567	5.509

# PERFORMANCE CURVES

WorldWide Electric Corporation

1 (800) 808-2131

Worldwideelectric.net



Premium Efficiency Motor:

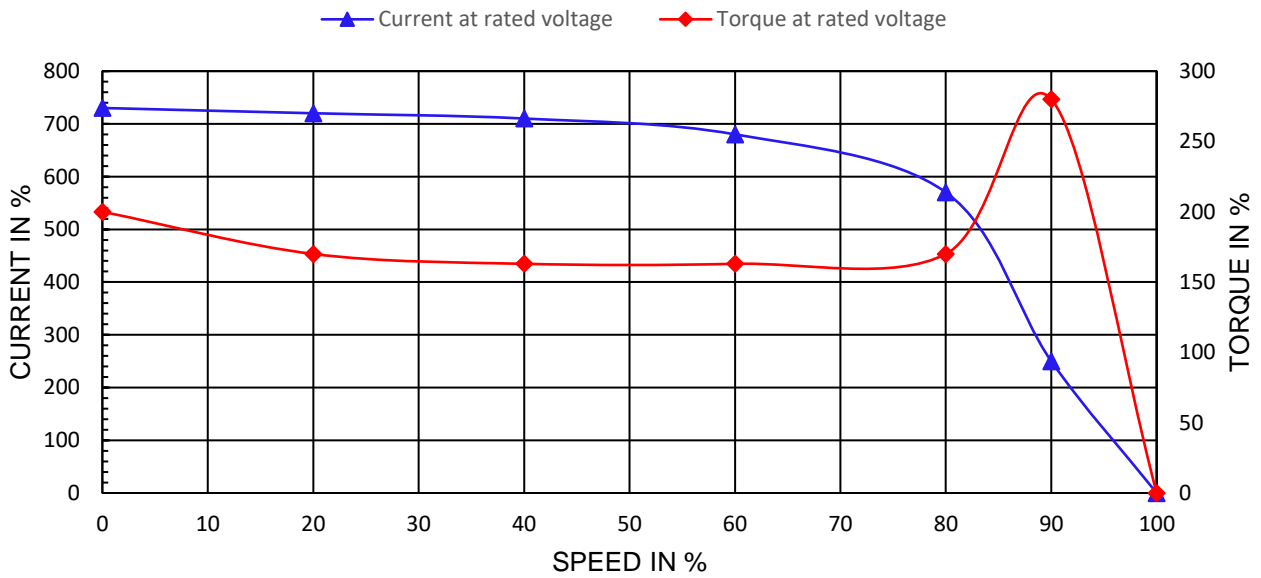
**PEWWE5-18-575-184T**

Document Generated: 15-Feb-2023  
 Document ID:

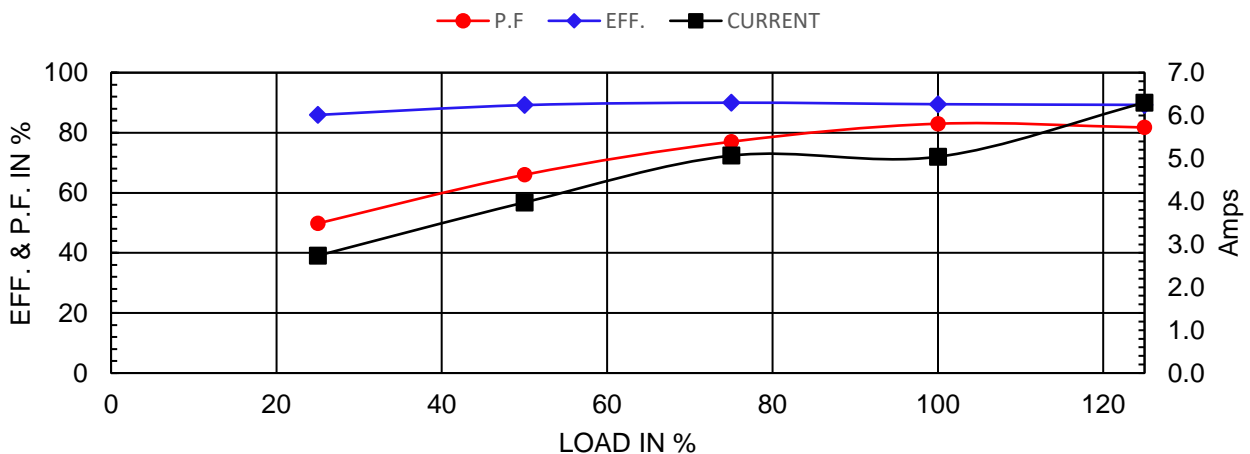
Customer:

Motor Type	PEWWE			FL Speed	1755		
Output Rating (HP)	5			LRT (%FLT)	200		
Full Load Torque	200	lb.ft		BDT (%FLT)	280	575 Volt FLA	5.04A
Rotor Wk <sup>2</sup>	2.5	lb-ft <sup>2</sup>					

SPEED VS TORQUE & CURRENT CURVE



OUTPUT VS EFF., P.F. & CURRENT CURVE



# NAMEPLATE / WIRING

WorldWide Electric Corporation

1 (800) 808-2131

Worldwideelectric.net



Premium Efficiency Motor: **PEWWE5-18-575-184T**

Document Generated: 15-Feb-2023  
Document ID:

Customer:

## SAMPLE NAMEPLATE DATA

	<b>NEMA Premium</b>	<b>3-PHASE INDUCTION MOTOR</b>	259277 	CE CC006A	
Model	Ser No.				
HP	S.F.	IP	Encl	<b>Connection</b> ① ② ③ L1 L2 L3	
Frame	P.F.	Code	Type		
Voltage	Hz	Ins Cl	Rating °C Amb Cont		
Amps	RPM	Design	Date		
Nom.Eff.	FL	% 3/4	%	V	10:1 CT 20:1 VT PWM VFD 1.0SF
Class I DIV. 2 Groups A B C D		Amb.40°C	T3C(160°C)	DE Brng	
Class I Zone 2 IIC		Amb.55°C	T3A(180°C)	ODE Brng	
				Grease type:	
				50Hz    HP    V    A    rpm    S.F1.0	
<b>WorldWide Electric Corporation</b>					

<b>Model</b>	PEWWE5-18-575-184T				
<b>HP</b>	5	<b>S.F.</b>	1.25	<b>IP</b>	IP55
<b>Frame</b>	184T	<b>P.F.</b>	0.83	<b>Code</b>	J
<b>Voltage</b>	575 V	<b>Hz</b>	60 Hz	<b>Ins Cl</b>	F
<b>Amps</b>	5.04A	<b>RPM</b>	1755	<b>Design</b>	B
<b>Nom. Eff.</b>	FL	89.5%	3/4	90.0%	

<b>Encl</b>	TEFC
<b>Amb.</b>	40°C
<b>DE Brng</b>	6206ZZ C3
<b>ODE Brng</b>	6206ZZ C3

50Hz	5 HP	500 V	5.99 A	1450 RPM
------	------	-------	--------	----------