

DATA SHEET

Premium Efficiency Motor: **PEWWE50-12-365TC**

60 Hz

WorldWide Electric Corporation

1 (800) 808-2131

Worldwideelectric.net



Document Generated: 1-Aug-2023
Document ID:

Customer:

MOTOR INFORMATION	
HP	50
RPM	1200
Phase	3
Frequency	60 Hz
Voltage	230/460 V
Frame Size	365TC
Enclosure	TEFC
Degree of Protection	IP55
Service Factor	1.25
Poles	6
Full Load Speed	1185
Insulation Class	F
Temp Rise	80°C
NEMA Code Letter	G
Duty Cycle	S1 / Continuous
Slip	1.25%
NEMA Design	B
Moment of Inertia	24.1 lb.ft.^2
Locked Rotor Time (Hot)	13 seconds
Sound Pressure Level	71 dB(A)
Number of Starts	2 Cold/ 1 Hot
Max Ambient Temperature	40°C
Max Elevation	1000 m.a.s.l (3300 f.a.s.l)
Mounting	F1
Rotation	Bi-Directional
Area of Classification	Class 1 Division 2 Groups A,B,C,D T3A(180°C)
Inverter Rating	10:1 CT / 20:1 VT PWM Type
Standard	NEMA MG-1
Approvals	CSA-US, CE

EFFICIENCY/POWER FACTOR		
LOAD	EFF	P. F.
100%	94.1 %	0.82
75%	94.3 %	0.78
50%	93.6 %	0.68

TORQUE		
FULL LOAD	LRT	BDT
222 lb.ft.	210 %	250 %

AMPERAGE INFORMATION		
	230V	460V
Full Load Amps	121A	60.7A
Locked Rotor Amps	725A	362.5A
No Load Current	49A	24.5A
Usable at 208V	134A	

BEARING INFORMATION	
DE Bearing	6313 C3
ODE Bearing	6312 C3
Grease Type	SKF LGHP 2
DE Regreasing Interval	4500 Hours
ODE Regreasing Interval	6000 Hours

ADDITIONAL DATA	
F2 Suitable	Yes
Shaft Material	1045 Carbon Steel
Connection Diagram	230 / 460 V - 12 Lead Δ
Approximate Weight	844 lbs.

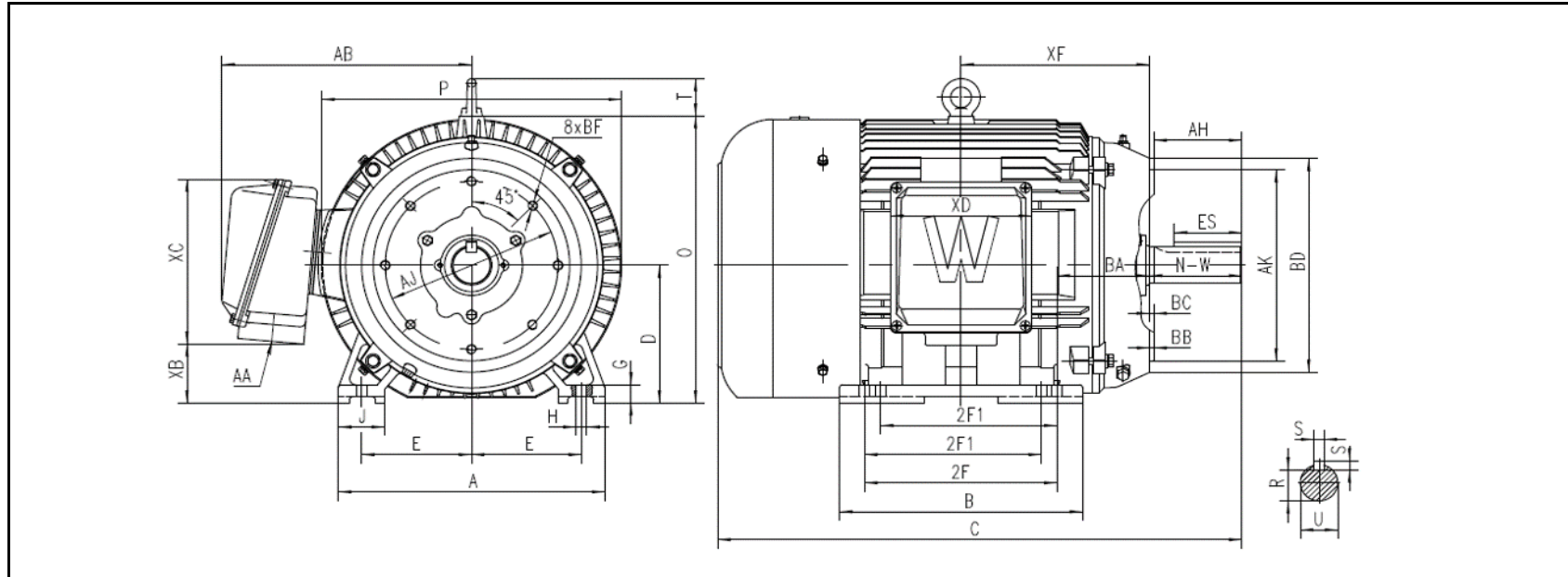
MOTOR DRAWING

Premium Efficiency Motor: **PEWWE50-12-365TC**

WorldWide Electric Corporation

1 (800) 808-2131

Worldwideelectric.net



DIMENSION - INCHES

MOUNTING					A	B	C	D	G	J	P	O	T	AB
E	2F1	2F	H	BA										
7	11.25	12.25	0.66	5.88	16.969	15.472	33.36	9	1.181	2.953	19.091	18.8	2.441	15.899

SHAFT & KEY					
S	ES	R	N-W	AH	U
0.625	4.28	2.021	5.88	5.62	2.375

TERMINAL BOX				
AA	XB	XC	XD	XF
3	3.849	10.783	8.976	11.988

FLANGE					
AJ	AK	BB	BD	BF	BC
11	12.5	0.25	13.989	5/8-11	0.25

PERFORMANCE CURVES

WorldWide Electric Corporation

1 (800) 808-2131

Worldwideelectric.net



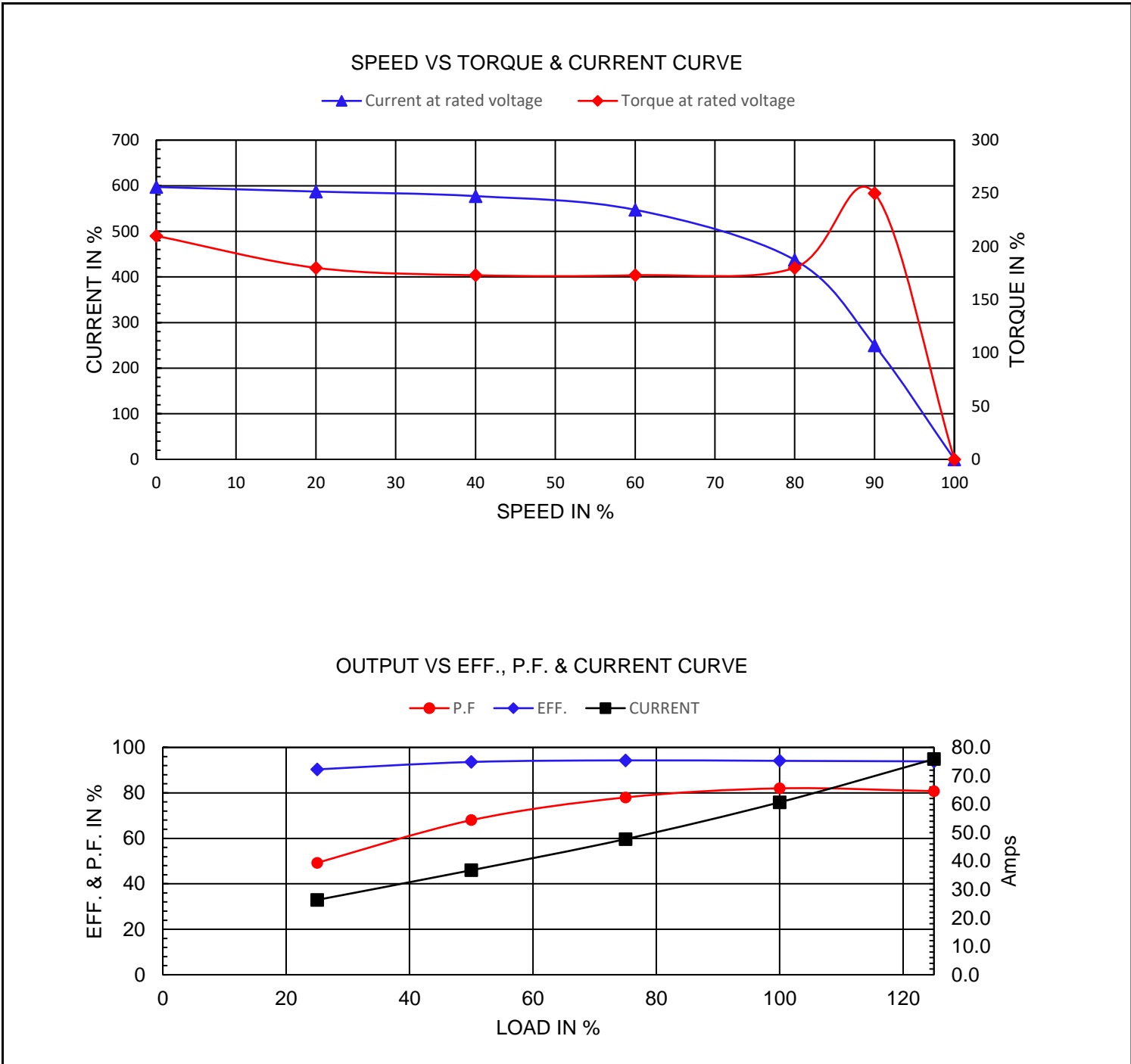
Premium Efficiency Motor:

PEWWE50-12-365TC

Document Generated: 1-Aug-2023
 Document ID:

Customer:

Motor Type	PEWWE		FL Speed	1185	
Output Rating (HP)	50		LRT (%FLT)	210	
Full Load Torque	222	lb.ft	460 volt FLA	60.7	
Rotor Wk^2	24.1	lb-ft^2	BDT (%FLT)	250	230 volt FLA 121



NAMEPLATE / WIRING

WorldWide Electric Corporation

1 (800) 808-2131

Worldwideelectric.net



WORLDWIDE
ELECTRIC CORPORATION

Premium Efficiency Motor:

PEWWE50-12-365TC

Document Generated: 1-Aug-2023
Document ID:

Customer:

SAMPLE NAMEPLATE DATA

		NEMA Premium		3-PHASE INDUCTION MOTOR		259277			CC006A															
Model		Ser No.																						
HP		S.F.		IP		Encl	<table border="1"> <tr><td>6</td><td>4</td><td>5</td></tr> <tr><td>7</td><td>8</td><td>9</td></tr> <tr><td>12</td><td>10</td><td>11</td></tr> <tr><td>1</td><td>2</td><td>3</td></tr> <tr><td>L1</td><td>L2</td><td>L3</td></tr> </table>			6	4	5	7	8	9	12	10	11	1	2	3	L1	L2	L3
6	4	5																						
7	8	9																						
12	10	11																						
1	2	3																						
L1	L2	L3																						
Frame		P.F.		Code		Type	<table border="1"> <tr><td>4</td><td>5</td><td>6</td></tr> <tr><td>7</td><td>8</td><td>9</td></tr> <tr><td>12</td><td>10</td><td>11</td></tr> <tr><td>1</td><td>2</td><td>3</td></tr> <tr><td>L1</td><td>L2</td><td>L3</td></tr> </table>			4	5	6	7	8	9	12	10	11	1	2	3	L1	L2	L3
4	5	6																						
7	8	9																						
12	10	11																						
1	2	3																						
L1	L2	L3																						
Voltage	230/460	Hz		Ins Cl		Rating	°C Amb Cont																	
Amps		RPM		Design		Date																		
Nom.Eff.	FL	% 3/4	% 230/460 V	10:1 CT	20:1 VT	PWM VFD	1.0SF																	
Class I DIV. 2 Groups A B C D				Amb.40°C	DE Brng																			
Class I Zone 2 IIC				Amb.55°C	ODE Brng																			
				Grease type: LGHP 2 (compatible with polyrex)																				
50Hz		HP	V	A	rpm	1.0SF																		
WorldWide Electric Corporation																								

Model	PEWWE50-12-365TC								
HP	50	S.F.	1.25	IP	IP55	Encl	TEFC		
Frame	365TC	P.F.	0.82	Code	G	Type			
Voltage	230/460 V	Hz	60 Hz	Ins Cl	F	Ambient	40°C		
Amps	121/60.7	RPM	1185	Design	B	DE Brng	6313 C3		
Nom.Eff.	FL	94.1%	3/4	94.3%	ODE Brng		6312 C3		
Class 1 Division 2 Groups A,B,C,D					T3A(180°C)	Grease type: SKF LGHP 2			
50Hz	50 HP	200/400 V	142/71.2	A	985 rpm				