

DATA SHEET

Premium Efficiency Motor: **PEWWE50-18-326T**

60 Hz

WorldWide Electric Corporation

1 (800) 808-2131

Worldwideelectric.net



Document Generated: 31-Jul-2023

Document ID:

Customer:

MOTOR INFORMATION

| | |
|-------------------------|--|
| HP | 50 |
| RPM | 1800 |
| Phase | 3 |
| Frequency | 60Hz |
| Voltage | 230/460 V |
| Frame Size | 326T |
| Enclosure | TEFC |
| Degree of Protection | IP55 |
| Service Factor | 1.25 |
| Poles | 4 |
| Full Load Speed | 1775 |
| Insulation Class | F |
| Temp Rise | 80°C |
| NEMA Code Letter | G |
| Duty Cycle | S1 / Continuous |
| Slip | 1.40% |
| NEMA Design | B |
| Moment of Inertia | 6.89 lb.ft.^2 |
| Locked Rotor Time (Hot) | 12 seconds |
| Sound Pressure Level | 72 dB(A) |
| Number of Starts | 2 Cold/ 1 Hot |
| Max Ambient Temperature | 40°C |
| Max Elevation | 1000 m.a.s.l (3300 f.a.s.l) |
| Mounting | F1 |
| Rotation | Bi-Directional |
| Area of Classification | Class 1 Division 2 Groups A,B,C,D T3C(160°C) |
| Inverter Rating | 10:1 CT / 20:1 VT PWM Type |
| Standard | NEMA MG-1 |
| Approvals | CSA-US, CE |

EFFICIENCY/POWER FACTOR

| LOAD | EFF | P. F. |
|------|--------|-------|
| 100% | 94.5 % | 0.86 |
| 75% | 94.9 % | 0.82 |
| 50% | 94.7 % | 0.73 |

TORQUE

| FULL LOAD | LRT | BDT |
|------------|-------|-------|
| 148 lb.ft. | 160 % | 260 % |

AMPERAGE INFORMATION

| | 230V | 460V |
|-------------------|------|--------|
| Full Load Amps | 115A | 57.6A |
| Locked Rotor Amps | 725A | 362.5A |
| No Load Current | 42A | 21A |
| Usable at 208V | 127A | |

BEARING INFORMATION

| | |
|-------------------------|------------|
| DE Bearing | 6312 C3 |
| ODE Bearing | 6311 C3 |
| Grease Type | SKF LGHP 2 |
| DE Regreasing Interval | 4000 Hours |
| ODE Regreasing Interval | 4000 Hours |

ADDITIONAL DATA

| | |
|--------------------|-------------------------|
| F2 Suitable | Yes |
| Shaft Material | 1045 Carbon Steel |
| Connection Diagram | 230 / 460 V - 12 Lead Δ |
| Approximate Weight | 578 lbs. |

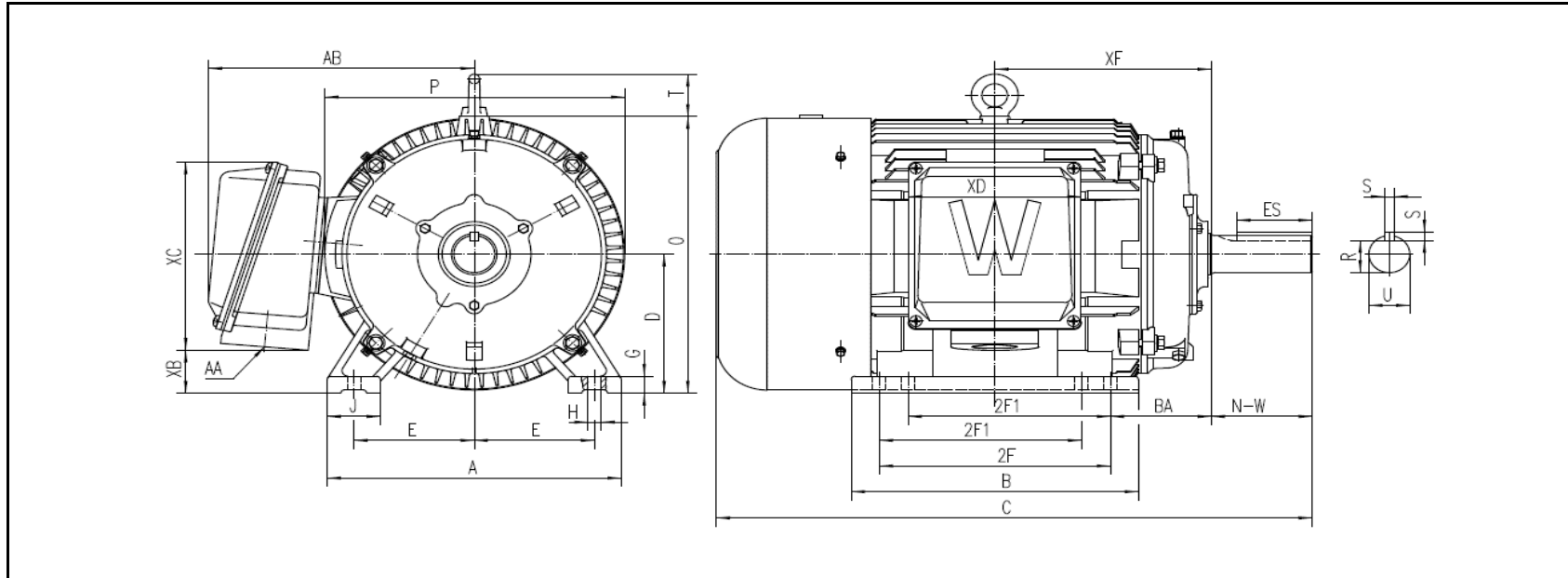
MOTOR DRAWING

Premium Efficiency Motor: **PEWWE50-18-326T**

WorldWide Electric Corporation

1 (800) 808-2131

Worldwideelectric.net



DIMENSION - INCHES

| MOUNTING | | | | | A | B | C | D | G | J | P | O | T | AB |
|----------|------|----|------|------|--------|--------|--------|---|-------|-------|--------|--------|-------|--------|
| E | 2F1 | 2F | H | BA | | | | | | | | | | |
| 6.25 | 10.5 | 12 | 0.66 | 5.25 | 15.276 | 14.921 | 30.967 | 8 | 0.984 | 2.756 | 15.571 | 15.913 | 2.441 | 13.813 |

| SHAFT & KEY | | | | |
|-------------|------|-------|------|-------|
| S | ES | R | N-W | U |
| 0.5 | 3.91 | 1.845 | 5.25 | 2.125 |

| TERMINAL BOX | | | | |
|--------------|-------|--------|-------|--------|
| AA | XB | XC | XD | XF |
| 2 | 2.471 | 10.826 | 8.976 | 11.248 |

PERFORMANCE CURVES

WorldWide Electric Corporation

1 (800) 808-2131

Worldwideelectric.net



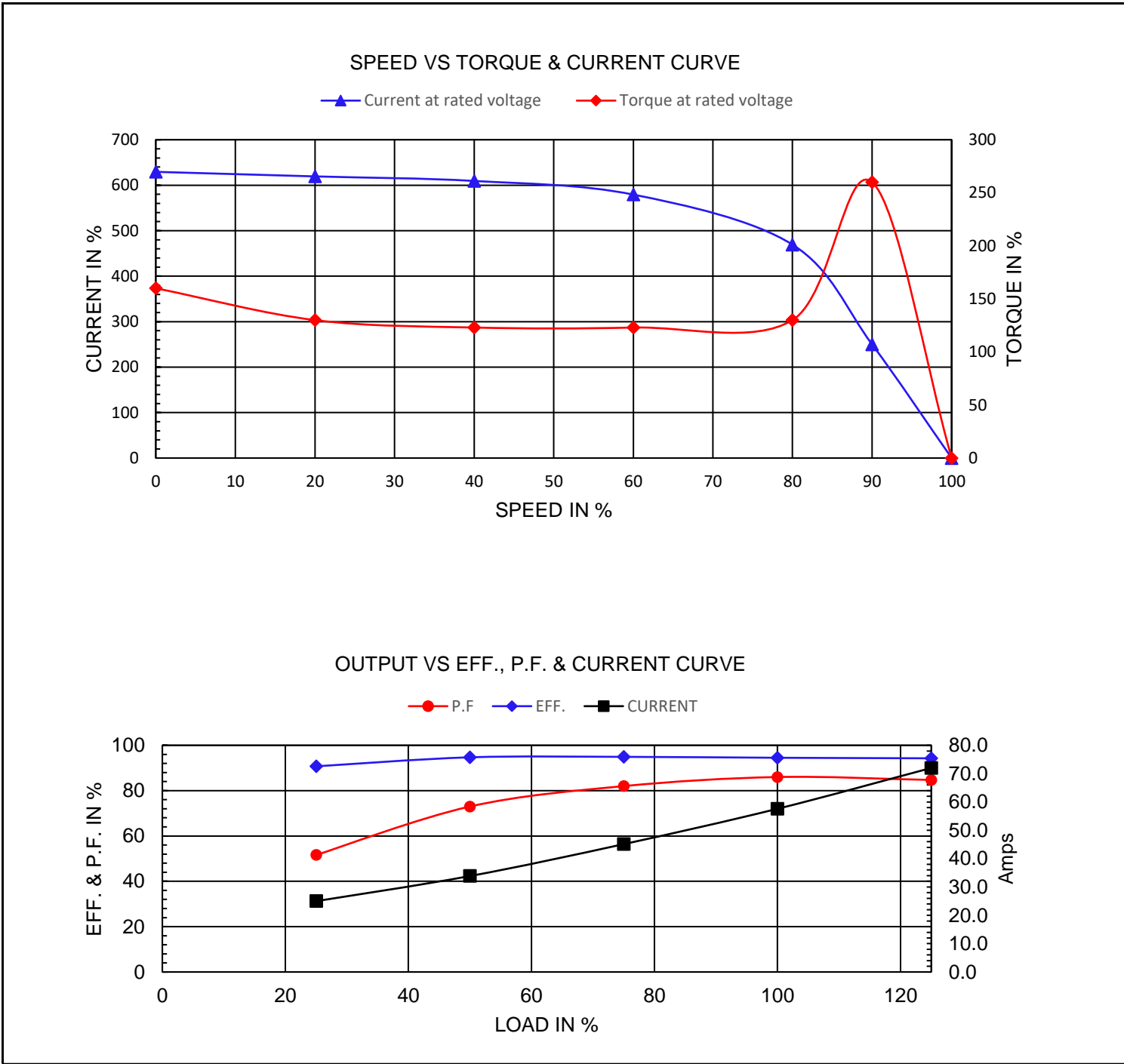
Premium Efficiency Motor:

PEWWE50-18-326T

Document Generated: 31-Jul-2023
 Document ID:

Customer:

| | | | | | |
|-----------------------|-------------------------|--|------------|------|---------------------|
| Motor Type | PEWWE | | FL Speed | 1775 | |
| Output Rating (HP) | 50 | | LRT (%FLT) | 160 | 460 volt FLA 57.6 A |
| Full Load Torque | 148 lb.ft | | BDT (%FLT) | 260 | 230 volt FLA 115 A |
| Rotor Wk ² | 6.89 lb-ft ² | | | | |



NAMEPLATE / WIRING

WorldWide Electric Corporation

1 (800) 808-2131

Worldwideelectric.net



Premium Efficiency Motor:

PEWWE50-18-326T

Document Generated: 31-Jul-2023
Document ID:

Customer:

SAMPLE NAMEPLATE DATA

| | | | | | | | | |
|---------------------------------------|---------|---|-------------|--------------------------------|--------------|-------------|-----|-----------|
| | | NEMA Premium | | 3-PHASE INDUCTION MOTOR | | 259277 | | CE |
| Model | | Ser No. | | | | Low Voltage | | |
| HP | S.F. | IP | Encl | | | 6 | 4 | 5 |
| Frame | P.F. | Code | Type | | | 7 | 8 | 9 |
| Voltage | 230/460 | Hz | Ins Cl | Rating | °C Amb Cont | 12 | 10 | 11 |
| Amps | | RPM | Design | Date | | 1 | 2 | 3 |
| Nom.Eff. | FL | % 3/4 | % 230/460 V | 10:1 CT | 20:1 VT | PWM | VFD | 1.0SF |
| Class I DIV. 2 Groups A B C D | | Amb.40°C | DE Brng | | High Voltage | | | |
| Class I Zone 2 IIC | | Amb.55°C | ODE Brng | | 4 5 6 | | | |
| | | Grease type: LGHP 2 (compatible with polyrex) | | 7 8 9 | | | | |
| | | | | 12 10 11 | | | | |
| | | | | 1 2 3 | | | | |
| | | | | L1 L2 L3 | | | | |
| 50Hz | | HP | V | A | rpm | 1.0SF | | |
| WorldWide Electric Corporation | | | | | | | | |

Model

HP S.F. IP Encl

Frame P.F. Code Type

Voltage Hz Ins Cl Ambient

Amps RPM Design DE Brng 6312 C3

Nom.Eff. ODE Brng 6311 C3

Class 1 Division 2 Groups A,B,C,D T3C(160°C) Grease type: SKF LGHP 2

50Hz 50 HP 200/400 V 135/67.5 A 1475 rpm