

# DATA SHEET

Premium Efficiency Motor: **PEWWE50-9-404T**

**60 Hz**

WorldWide Electric Corporation

1 (800) 808-2131

Worldwideelectric.net



Document Generated: 31-Jul-2023

Document ID:

Customer:

## MOTOR INFORMATION

HP	50
RPM	900
Phase	3
Frequency	60 Hz
Voltage	230/460 V
Frame Size	404T
Enclosure	TEFC
Degree of Protection	IP55
Service Factor	1.25
Poles	8
Full Load Speed	890
Insulation Class	F
Temp Rise	80°C
NEMA Code Letter	G
Duty Cycle	S1 / Continuous
Slip	1.11%
NEMA Design	B
Moment of Inertia	30.2 lb.ft.^2
Locked Rotor Time (Hot)	12 seconds
Sound Pressure Level	72 dB(A)
Number of Starts	2 Cold/ 1 Hot
Max Ambient Temperature	40°C
Max Elevation	1000 m.a.s.l (3300 f.a.s.l)
Mounting	F1
Rotation	Bi-Directional
Area of Classification	Class 1 Division 2 Groups A,B,C,D T3A(180°C)
Inverter Rating	10:1 CT / 20:1 VT PWM Type
Standard	NEMA MG-1
Approvals	CSA-US, CE

## EFFICIENCY/POWER FACTOR

LOAD	EFF	P. F.
100%	92.4 %	0.76
75%	92.8 %	0.72
50%	92.2 %	0.61

## TORQUE

FULL LOAD	LRT	BDT
295 lb.ft.	160 %	210 %

## AMPERAGE INFORMATION

	230V	460V
Full Load Amps	133A	66.7A
Locked Rotor Amps	725A	362.5A
No Load Current	57A	28.5A
Usable at 208V	147A	

## BEARING INFORMATION

DE Bearing	NU316 C3
ODE Bearing	6313 C3
Grease Type	SKF LGHP 2
DE Regreasing Interval	3400 Hours
ODE Regreasing Interval	5100 Hours

## ADDITIONAL DATA

F2 Suitable	Yes
Shaft Material	1045 Carbon Steel
Connection Diagram	230 / 460 V - 12 Lead Δ
Approximate Weight	952 lbs.

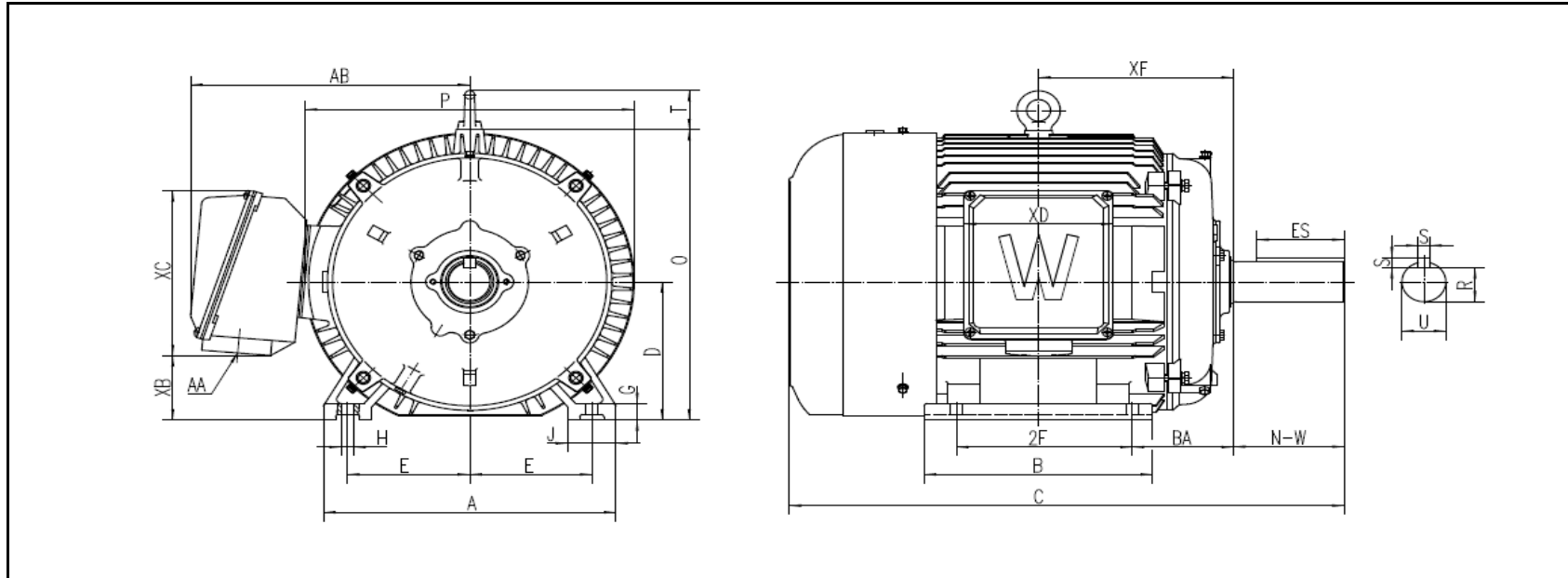
# MOTOR DRAWING

Premium Efficiency Motor: **PEWWE50-9-404T**

WorldWide Electric Corporation

1 (800) 808-2131

Worldwideelectric.net



## DIMENSION - INCHES

MOUNTING					A	B	C	D	G	J	P	O	T	AB
E	2F1	2F	H	BA										
8	--	12.25	0.81	6.62	19.136	14.961	36.319	10	1.181	3.15	21.535	21.024	2.835	18.264

SHAFT & KEY				
S	ES	R	N-W	U
0.75	5.65	2.45	7.25	2.875

TERMINAL BOX				
AA	XB	XC	XD	XF
3	4.659	11.933	9.764	12.746

# PERFORMANCE CURVES

WorldWide Electric Corporation

1 (800) 808-2131

Worldwideelectric.net



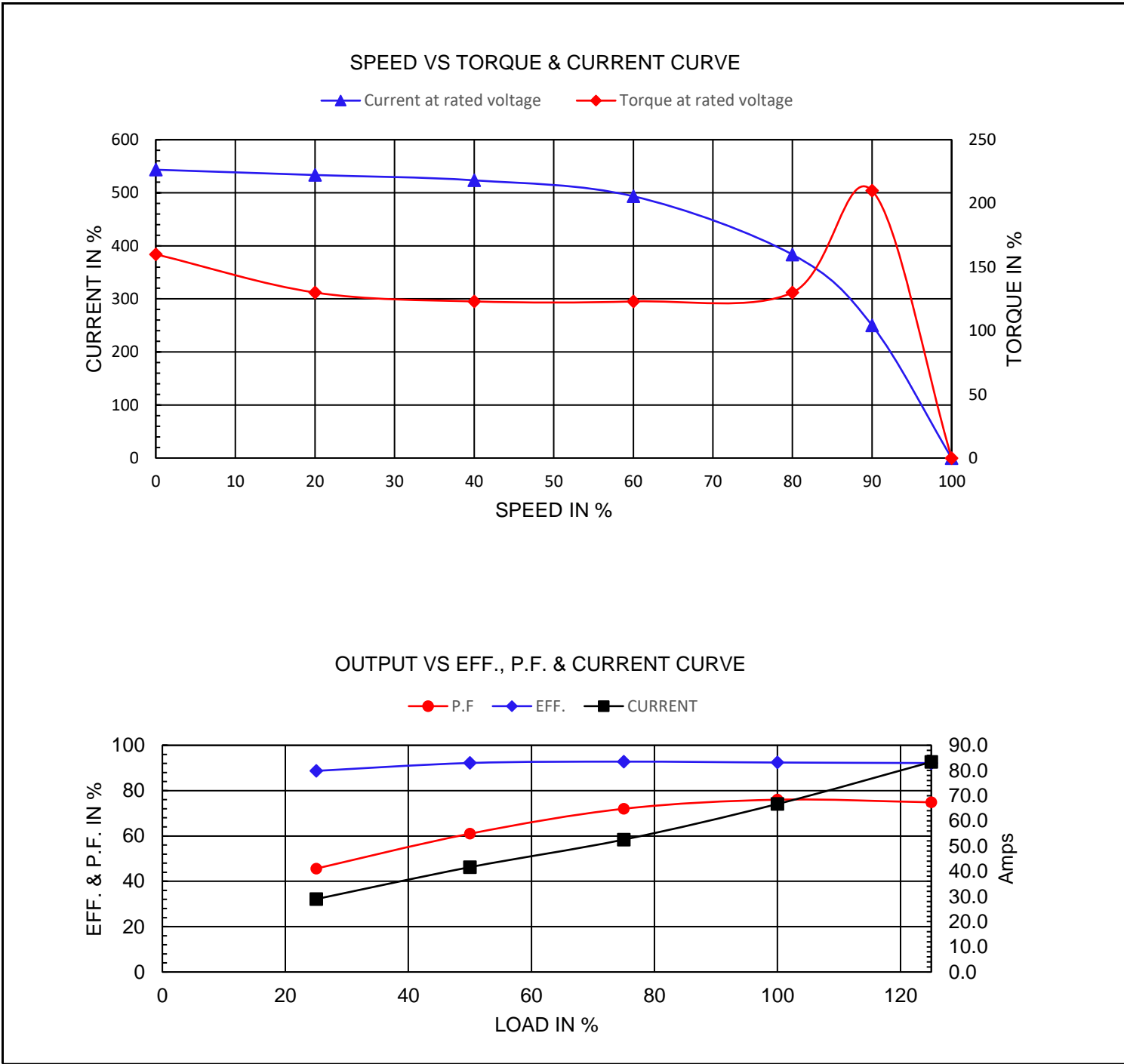
Premium Efficiency Motor:

**PEWWE50-9-404T**

Document Generated: 31-Jul-2023  
 Document ID:

Customer:

Motor Type	PEWWE		FL Speed	890		
Output Rating (HP)	50		LRT (%FLT)	160	460 volt FLA	66.7 A
Full Load Torque	295 lb.ft		BDT (%FLT)	210	230 volt FLA	133 A
Rotor Wk <sup>2</sup>	30.2 lb-ft <sup>2</sup>					



# NAMEPLATE / WIRING

WorldWide Electric Corporation

1 (800) 808-2131

Worldwideelectric.net



Premium Efficiency Motor:

**PEWWE50-9-404T**

Document Generated: 31-Jul-2023  
Document ID:

Customer:

## SAMPLE NAMEPLATE DATA

				<b>3-PHASE INDUCTION MOTOR</b>		259277 	
Model <input type="text"/>		Ser No. <input type="text"/>		Low Voltage		CC006A	
HP <input type="text"/>	S.F. <input type="text"/>	IP <input type="text"/>	Encl <input type="text"/>	6 4 5 7 8 9 12 10 11 1 2 3 L1 L2 L3		High Voltage	
Frame <input type="text"/>	P.F. <input type="text"/>	Code <input type="text"/>	Type <input type="text"/>	4 5 6 7 8 9 12 10 11 1 2 3 L1 L2 L3		120V 240V 480V	
Voltage <input type="text"/>	Hz <input type="text"/>	Ins Cl <input type="text"/>	Rating <input type="text"/>	°C Amb Cont		10:1 CT 20:1 VT PWM VFD 1.0SF	
Amps <input type="text"/>	RPM <input type="text"/>	Design <input type="text"/>	Date <input type="text"/>	DE Brng		ODE Brng	
Nom.Eff. <input type="text"/>		% 3/4 <input type="text"/>		% 230/460V <input type="text"/>		Grease type: LGHP 2 (compatible with polyrex)	
Class I DIV. 2 Groups A B C D		Amb.40°C		Class I Zone 2 IIC		Amb.55°C	
50Hz		HP		V		A rpm 1.0SF	
WorldWide Electric Corporation							

Model

HP  S.F.  IP  Encl

Frame  P.F.  Code  Type

Voltage  Hz  Ins Cl  Ambient

Amps  RPM  Design  DE Brng

Nom.Eff.  ODE Brng

Grease type: