

# DATA SHEET

Premium Efficiency Motor: **PEWWE60-12-404TC**

**60 Hz**

WorldWide Electric Corporation

1 (800) 808-2131

Worldwideelectric.net



Document Generated: 1-Aug-2023  
Document ID:

Customer:

MOTOR INFORMATION	
HP	60
RPM	1200
Phase	3
Frequency	60 Hz
Voltage	230/460 V
Frame Size	404TC
Enclosure	TEFC
Degree of Protection	IP55
Service Factor	1.25
Poles	6
Full Load Speed	1190
Insulation Class	F
Temp Rise	80°C
NEMA Code Letter	G
Duty Cycle	S1 / Continuous
Slip	0.83%
NEMA Design	B
Moment of Inertia	30.6 lb.ft.^2
Locked Rotor Time (Hot)	13 seconds
Sound Pressure Level	73 dB(A)
Number of Starts	2 Cold/ 1 Hot
Max Ambient Temperature	40°C
Max Elevation	1000 m.a.s.l (3300 f.a.s.l)
Mounting	F1
Rotation	Bi-Directional
Area of Classification	Class 1 Division 2 Groups A,B,C,D T3A(180°C)
Inverter Rating	10:1 CT / 20:1 VT PWM Type
Standard	NEMA MG-1
Approvals	CSA-US, CE

EFFICIENCY/POWER FACTOR		
LOAD	EFF	P. F.
100%	94.5 %	0.83
75%	94.8 %	0.80
50%	94.5 %	0.71

TORQUE		
FULL LOAD	LRT	BDT
265 lb.ft.	170 %	240 %

AMPERAGE INFORMATION		
	230V	460V
Full Load Amps	143A	71.6A
Locked Rotor Amps	870A	435A
No Load Current	53A	26.5A
Usable at 208V	158A	

BEARING INFORMATION	
DE Bearing	6316 C3
ODE Bearing	6313 C3
Grease Type	SKF LGHP 2
DE Regreasing Interval	3000 Hours
ODE Regreasing Interval	4500 Hours

ADDITIONAL DATA	
F2 Suitable	Yes
Shaft Material	1045 Carbon Steel
Connection Diagram	230 / 460 V - 12 Lead Δ
Approximate Weight	979 lbs.

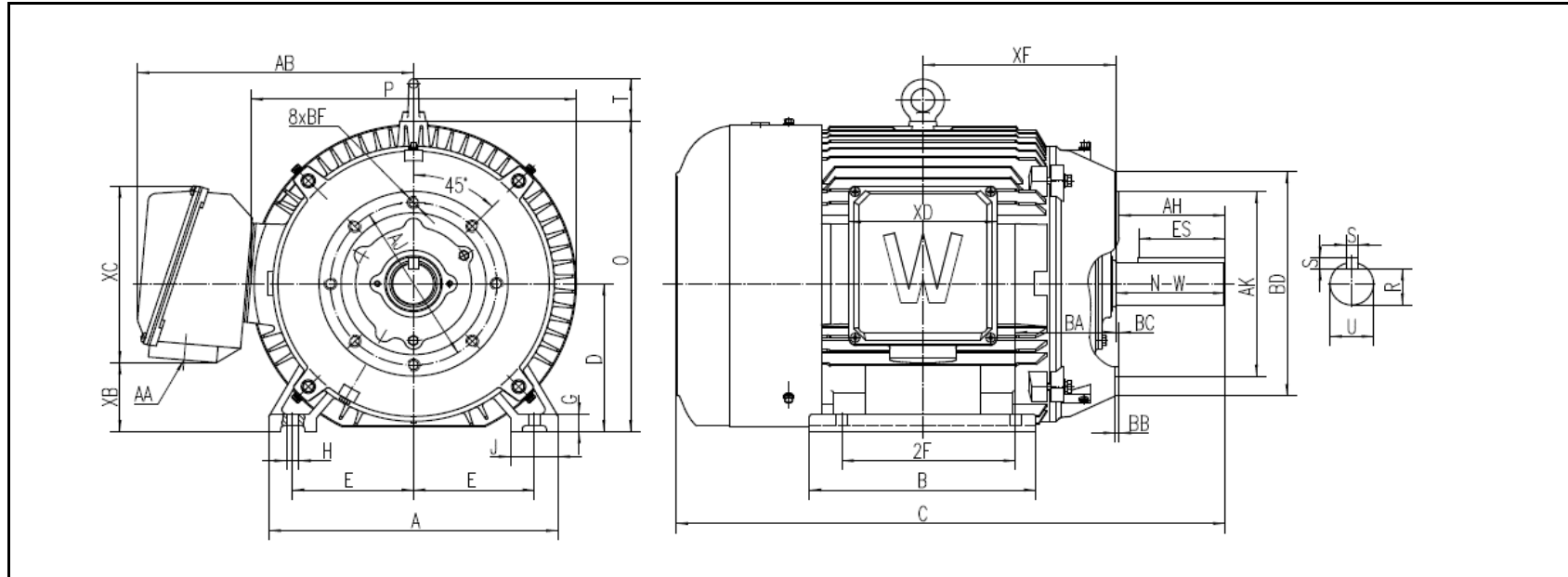
# MOTOR DRAWING

Premium Efficiency Motor: **PEWWE60-12-404TC**

WorldWide Electric Corporation

1 (800) 808-2131

Worldwideelectric.net



## DIMENSION - INCHES

MOUNTING					A	B	C	D	G	J	P	O	T	AB
E	2F1	2F	H	BA										
8	--	12.25	0.81	6.62	19.136	14.961	36.319	10	1.181	3.15	21.535	21.024	2.835	18.264

SHAFT & KEY					
S	ES	R	N-W	AH	U
0.75	5.65	2.45	7.25	7	2.875

TERMINAL BOX				
AA	XB	XC	XD	XF
3	4.659	11.933	9.764	12.746

FLANGE					
AJ	AK	BB	BD	BF	BC
11	12.5	0.25	15.157	5/8-11	0.25

# PERFORMANCE CURVES

WorldWide Electric Corporation

1 (800) 808-2131

Worldwideelectric.net



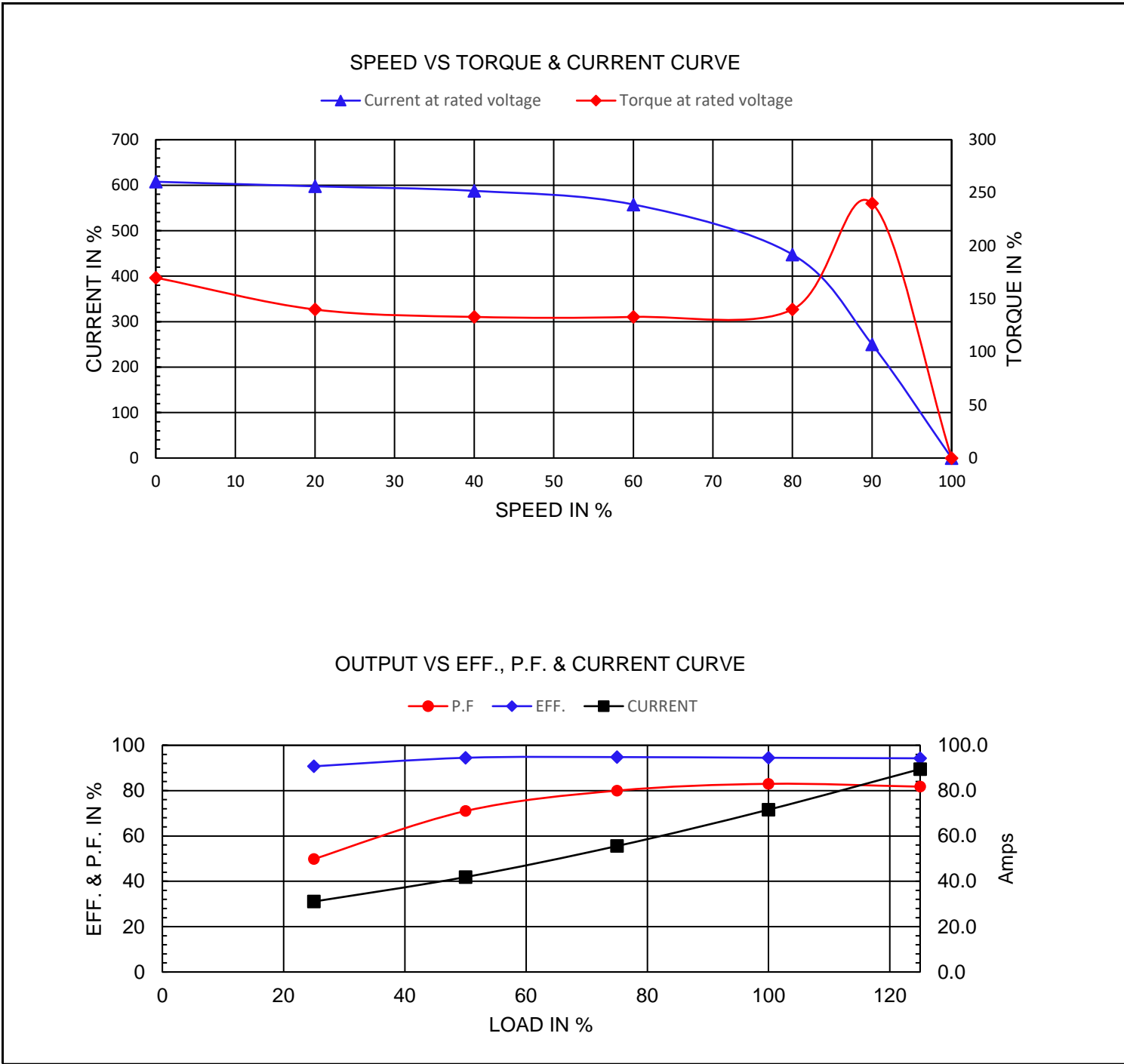
Premium Efficiency Motor:

**PEWWE60-12-404TC**

Document Generated: 1-Aug-2023  
Document ID:

Customer:

Motor Type	PEWWE			FL Speed	1190		
Output Rating (HP)	60			LRT (%FLT)	170	460 volt FLA	71.6
Full Load Torque	265	lb.ft		BDT (%FLT)	240	230 volt FLA	143
Rotor Wk^2	30.6	lb-ft^2					



# NAMEPLATE / WIRING

Premium Efficiency Motor: **PEWWE60-12-404TC**

WorldWide Electric Corporation

1 (800) 808-2131

Worldwideelectric.net



Document Generated: 1-Aug-2023  
Document ID:

Customer:

## SAMPLE NAMEPLATE DATA

		<b>NEMA Premium</b>		<b>3-PHASE INDUCTION MOTOR</b>		259277 		CC006A
Model			Ser No.			<b>Low Voltage</b> 6 4 5 7 8 9 12 10 11 1 2 3 L1 L2 L3		
HP		S.F.		IP		Encl		
Frame		P.F.		Code		Type		
Voltage	230/460	Hz		Ins Cl		Rating	°C Amb Cont	
Amps		RPM		Design		Date		
Nom.Eff.	FL	% 3/4	%	230/460V	10:1 CT	20:1 VT	PWM	VFD 1.0SF
				DE Brng				
Class I DIV. 2 Groups A B C D		Amb.40°C		ODE Brng				
Class I Zone 2 IIC		Amb.55°C		Grease type: LGHP 2 (compatible with polyrex)		<b>High Voltage</b> 4 5 6 7 8 9 12 10 11 1 2 3 L1 L2 L3		
50Hz		HP	V	A	rpm	1.0SF		
<b>WorldWide Electric Corporation</b>								

Model	PEWWE60-12-404TC							
HP	60	S.F.	1.25	IP	IP55	Encl	TEFC	
Frame	404TC	P.F.	0.83	Code	G	Type		
Voltage	230/460 V	Hz	60 Hz	Ins Cl	F	Ambient	40°C	
Amps	143/71.6	RPM	1190	Design	B	DE Brng	6316 C3	
Nom.Eff.	FL	94.5%	3/4	94.8%		ODE Brng	6313 C3	
Class 1 Division 2 Groups A,B,C,D						T3A(180°C)		Grease type: SKF LGHP 2
50Hz	60 HP	200/400 V	168/84	A	990 rpm			