

# DATA SHEET

Premium Efficiency Motor: **PEWWE60-18-364TC**

**60 Hz**

WorldWide Electric Corporation

1 (800) 808-2131

Worldwideelectric.net



Document Generated: 1-Aug-2023

Document ID:

Customer:

## MOTOR INFORMATION

HP	60
RPM	1800
Phase	3
Frequency	60Hz
Voltage	230/460 V
Frame Size	364TC
Enclosure	TEFC
Degree of Protection	IP55
Service Factor	1.25
Poles	4
Full Load Speed	1780
Insulation Class	F
Temp Rise	80°C
NEMA Code Letter	G
Duty Cycle	S1 / Continuous
Slip	1.10%
NEMA Design	B
Moment of Inertia	14 lb.ft. <sup>2</sup>
Locked Rotor Time (Hot)	14 seconds
Sound Pressure Level	73 dB(A)
Number of Starts	2 Cold/ 1 Hot
Max Ambient Temperature	40°C
Max Elevation	1000 m.a.s.l (3300 f.a.s.l)
Mounting	F1
Rotation	Bi-Directional
Area of Classification	Class 1 Division 2 Groups A,B,C,D T3A(180°C)
Inverter Rating	10:1 CT / 20:1 VT PWM Type
Standard	NEMA MG-1
Approvals	CSA-US, CE

## EFFICIENCY/POWER FACTOR

LOAD	EFF	P. F.
100%	95.0 %	0.83
75%	95.3 %	0.80
50%	94.9 %	0.71

## TORQUE

FULL LOAD	LRT	BDT
177 lb.ft.	190 %	250 %

## AMPERAGE INFORMATION

	230V	460V
Full Load Amps	142A	71.2A
Locked Rotor Amps	870A	435A
No Load Current	52A	26A
Usable at 208V	158A	

## BEARING INFORMATION

DE Bearing	6313 C3
ODE Bearing	6312 C3
Grease Type	SKF LGHP 2
DE Regreasing Interval	3000 Hours
ODE Regreasing Interval	4000 Hours

## ADDITIONAL DATA

F2 Suitable	Yes
Shaft Material	1045 Carbon Steel
Connection Diagram	230 / 460 V - 12 Lead Δ
Approximate Weight	747 lbs.

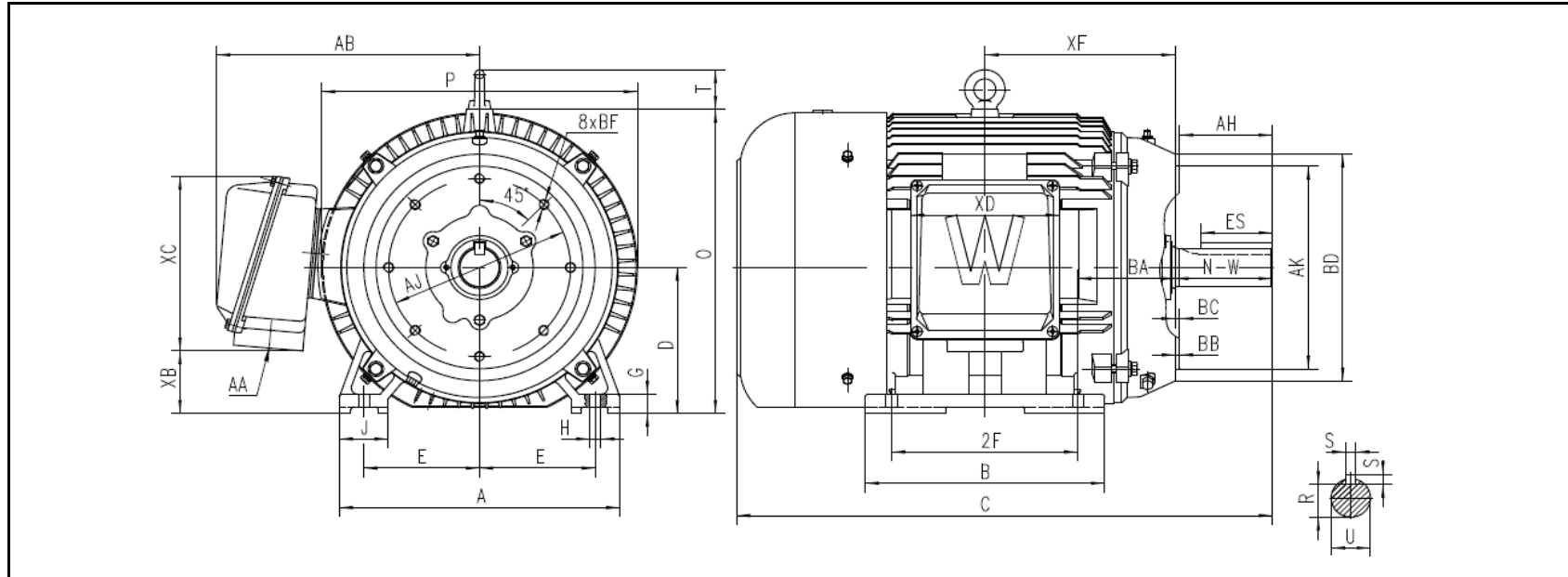
# MOTOR DRAWING

Premium Efficiency Motor: **PEWWE60-18-364TC**

WorldWide Electric Corporation

1 (800) 808-2131

Worldwideelectric.net



## DIMENSION - INCHES

MOUNTING					A	B	C	D	G	J	P	O	T	AB
E	2F1	2F	H	BA										
7	--	11.25	0.66	5.88	16.969	14.488	32.376	9	1.181	2.953	19.091	18.8	2.441	15.899

SHAFT & KEY					
S	ES	R	N-W	AH	U
0.625	4.28	2.021	5.88	5.62	2.375

TERMINAL BOX				
AA	XB	XC	XD	XF
3	3.849	10.783	8.976	11.496

FLANGE					
AJ	AK	BB	BD	BF	BC
11	12.5	0.25	13.989	5/8-11	0.25

# PERFORMANCE CURVES

WorldWide Electric Corporation

1 (800) 808-2131

Worldwideelectric.net



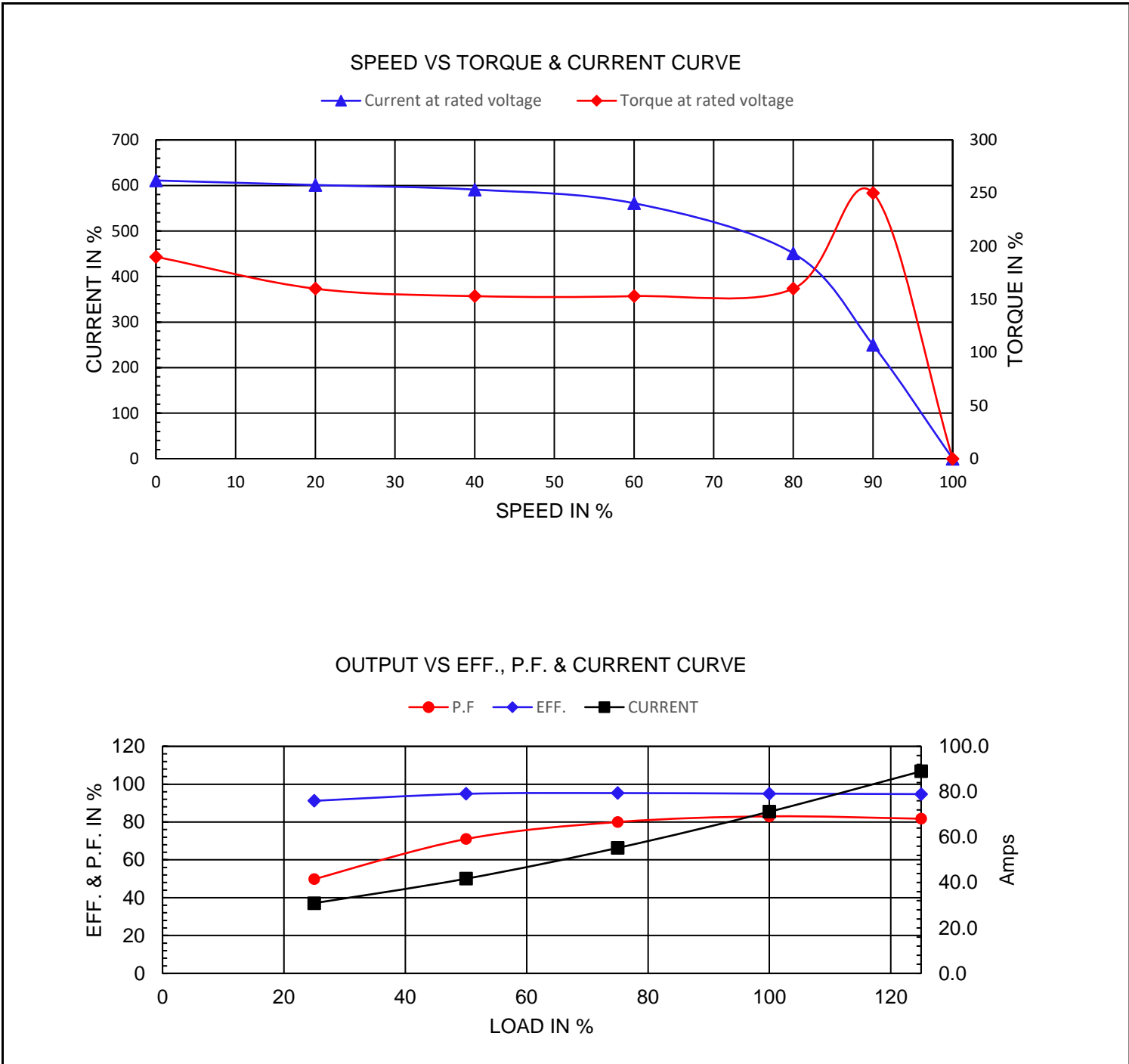
Premium Efficiency Motor:

**PEWWE60-18-364TC**

Document Generated: 1-Aug-2023  
 Document ID:

Customer:

Motor Type	PEWWE			FL Speed	1780		
Output Rating (HP)	60			LRT (%FLT)	190	460 volt FLA	71.2
Full Load Torque	177	lb.ft		BDT (%FLT)	250	230 volt FLA	142
Rotor Wk^2	14	lb-ft^2					



# NAMEPLATE / WIRING

WorldWide Electric Corporation

1 (800) 808-2131

Worldwideelectric.net



**WORLDWIDE**  
ELECTRIC CORPORATION

Premium Efficiency Motor:

**PEWWE60-18-364TC**

Document Generated: 1-Aug-2023  
Document ID:

Customer:

## SAMPLE NAMEPLATE DATA

		<b>NEMA Premium</b>		<b>3-PHASE INDUCTION MOTOR</b>		259277		<b>CE</b>
Model		Ser No.						<b>Low Voltage</b>
HP	S.F.	IP	Encl					6 4 5
Frame	P.F.	Code	Type					7 8 9
Voltage	Hz	Ins Cl	Rating	°C Amb Cont				12 10 11
Amps	RPM	Design	Date					1 2 3
Nom.Eff.		FL % 3/4 % 230/460 V		10:1 CT 20:1 VT PWM VFD 1.0SF				<b>High Voltage</b>
								4 5 6
								7 8 9
Class I DIV. 2 Groups A B C D		Amb.40°C		DE Brng				12 10 11
Class I Zone 2 IIC		Amb.55°C		ODE Brng				1 2 3
				Grease type: LGHP 2 (compatible with polyrex)				L1 L2 L3
50Hz		HP	V	A	rpm	1.0SF		
<b>WorldWide Electric Corporation</b>								

Model	PEWWE60-18-364TC							
HP	60	S.F.	1.25	IP	IP55	Encl	TEFC	
Frame	364TC	P.F.	0.83	Code	G	Type		
Voltage	230/460 V	Hz	60Hz	Ins Cl	F	Ambient	40°C	
Amps	142/71.2	RPM	1780	Design	B	DE Brng	6313 C3	
Nom.Eff.	FL	95.0%	3/4	95.3%		ODE Brng	6312 C3	
Class 1 Division 2 Groups A,B,C,D						T3A(180°C)	Grease type: SKF LGHP 2	
50Hz	60 HP	200/400 V	167/83.6	A	1480 rpm			