

DATA SHEET

Premium Efficiency Motor: **PEWWE60-36-364TS**

60 Hz

WorldWide Electric Corporation

1 (800) 808-2131

Worldwideelectric.net



Document Generated: 31-Jul-2023
Document ID:

Customer:

MOTOR INFORMATION	
HP	60
RPM	3600
Phase	3
Frequency	60 Hz
Voltage	230/460 V
Frame Size	364TS
Enclosure	TEFC
Degree of Protection	IP55
Service Factor	1.25
Poles	2
Full Load Speed	3560
Insulation Class	F
Temp Rise	80°C
NEMA Code Letter	G
Duty Cycle	S1 / Continuous
Slip	1.10%
NEMA Design	B
Moment of Inertia	7.84 lb.ft.^2
Locked Rotor Time (Hot)	15 seconds
Sound Pressure Level	77 dB(A)
Number of Starts	2 Cold/ 1 Hot
Max Ambient Temperature	40°C
Max Elevation	1000 m.a.s.l (3300 f.a.s.l)
Mounting	F1
Rotation	Bi-Directional
Area of Classification	Class 1 Division 2 Groups A,B,C,D T3A(180°C)
Inverter Rating	10:1 CT / 20:1 VT PWM Type
Standard	NEMA MG-1
Approvals	CSA-US, CE

EFFICIENCY/POWER FACTOR		
LOAD	EFF	P. F.
100%	93.6 %	0.85
75%	93.8 %	0.84
50%	93.2 %	0.78

TORQUE		
FULL LOAD	LRT	BDT
88.5 lb.ft.	190 %	220 %

AMPERAGE INFORMATION		
	230V	460V
Full Load Amps	141A	70.6A
Locked Rotor Amps	870A	435A
No Load Current	38A	19A
Usable at 208V	156A	

BEARING INFORMATION	
DE Bearing	6313 C3
ODE Bearing	6312 C3
Grease Type	SKF LGHP 2
DE Regreasing Interval	1800 Hours
ODE Regreasing Interval	2400 Hours

ADDITIONAL DATA	
F2 Suitable	Yes
Shaft Material	1045 Carbon Steel
Connection Diagram	230 / 460 V - 12 Lead Δ
Approximate Weight	743 lbs.

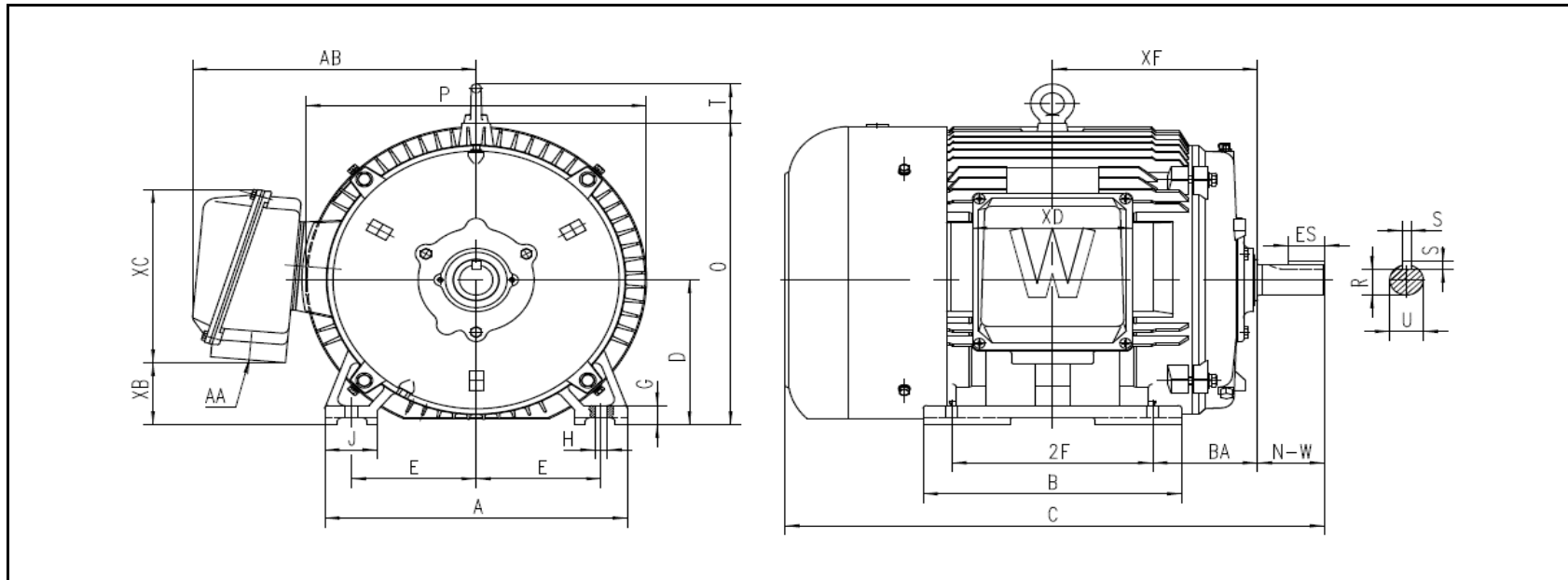
MOTOR DRAWING

Premium Efficiency Motor: **PEWWE60-36-364TS**

WorldWide Electric Corporation

1 (800) 808-2131

Worldwideelectric.net



DIMENSION - INCHES

MOUNTING					A	B	C	D	G	J	P	O	T	AB
E	2F1	2F	H	BA										
7	--	11.25	0.66	5.88	16.969	14.488	30.246	9	1.181	2.953	19.091	18.8	2.441	15.899

SHAFT & KEY				
S	ES	R	N-W	U
0.5	2.03	1.591	3.75	1.875

TERMINAL BOX				
AA	XB	XC	XD	XF
3	3.849	10.783	8.976	11.496

PERFORMANCE CURVES

WorldWide Electric Corporation

1 (800) 808-2131

Worldwideelectric.net



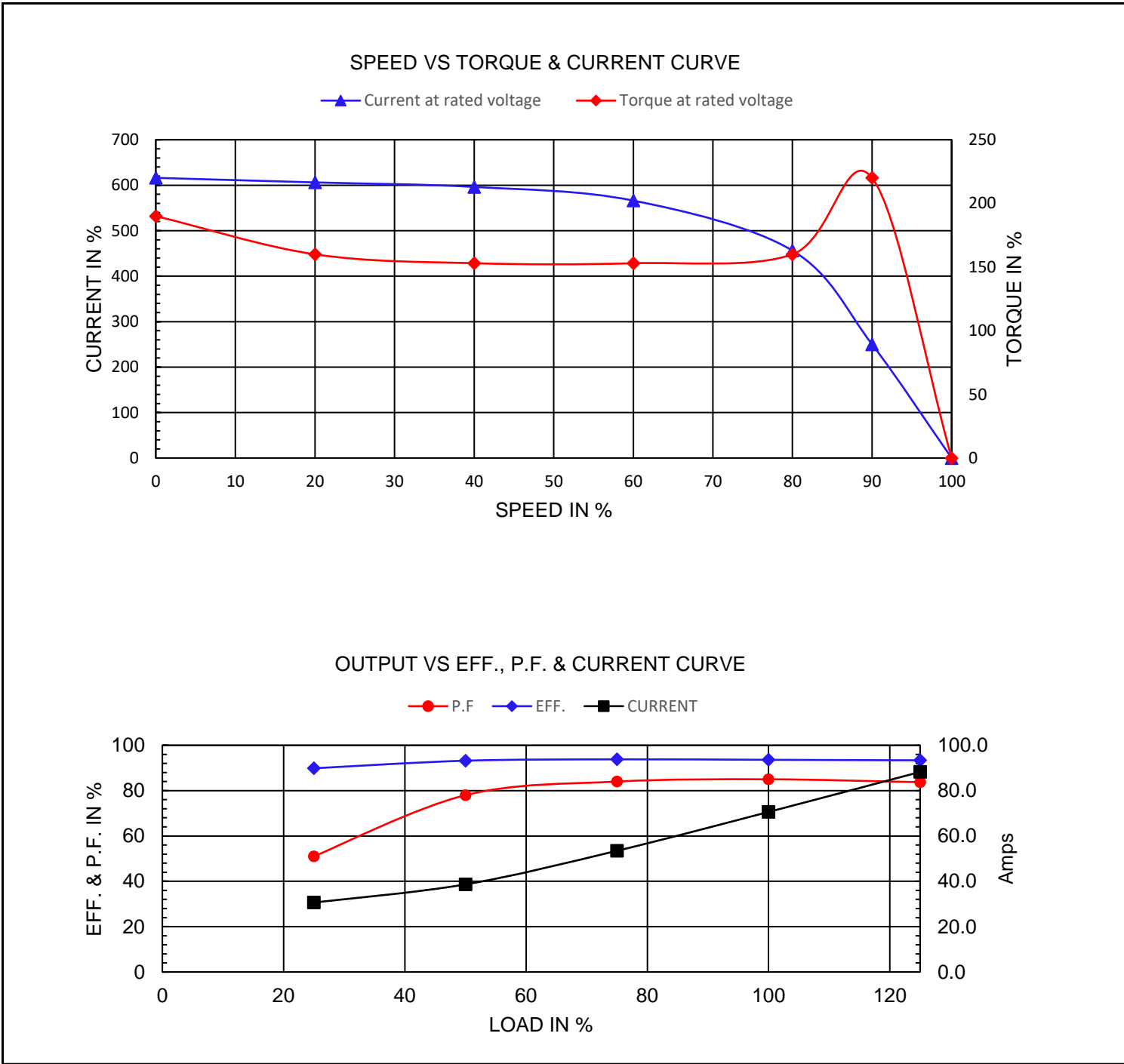
Premium Efficiency Motor:

PEWWE60-36-364TS

Document Generated: 31-Jul-2023
 Document ID:

Customer:

Motor Type	PEWWE		FL Speed	3560		
Output Rating (HP)	60		LRT (%FLT)	190	460 volt FLA	70.6 A
Full Load Torque	88.5	lb.ft	BDT (%FLT)	220	230 volt FLA	141 A
Rotor Wk^2	7.84	lb-ft^2				



NAMEPLATE / WIRING

WorldWide Electric Corporation

1 (800) 808-2131

Worldwideelectric.net



Premium Efficiency Motor:

PEWWE60-36-364TS

Document Generated: 31-Jul-2023
Document ID:

Customer:

SAMPLE NAMEPLATE DATA

		NEMA Premium		3-PHASE INDUCTION MOTOR		259277			CC006A																																				
Model		Ser No.		<table border="1"> <tr> <td colspan="3">Low Voltage</td> </tr> <tr> <td>6</td> <td>4</td> <td>5</td> </tr> <tr> <td>7</td> <td>8</td> <td>9</td> </tr> <tr> <td>12</td> <td>10</td> <td>11</td> </tr> <tr> <td>1</td> <td>2</td> <td>3</td> </tr> <tr> <td>L1</td> <td>L2</td> <td>L3</td> </tr> <tr> <td colspan="3">High Voltage</td> </tr> <tr> <td>4</td> <td>5</td> <td>6</td> </tr> <tr> <td>7</td> <td>8</td> <td>9</td> </tr> <tr> <td>12</td> <td>10</td> <td>11</td> </tr> <tr> <td>1</td> <td>2</td> <td>3</td> </tr> <tr> <td>L1</td> <td>L2</td> <td>L3</td> </tr> </table>						Low Voltage			6	4	5	7	8	9	12	10	11	1	2	3	L1	L2	L3	High Voltage			4	5	6	7	8	9	12	10	11	1	2	3	L1	L2	L3
Low Voltage																																													
6	4	5																																											
7	8	9																																											
12	10	11																																											
1	2	3																																											
L1	L2	L3																																											
High Voltage																																													
4	5	6																																											
7	8	9																																											
12	10	11																																											
1	2	3																																											
L1	L2	L3																																											
HP		S.F.		IP		Encl																																							
Frame		P.F.		Code		Type																																							
Voltage	230/460	Hz		Ins Cl		Rating	°C Amb Cont																																						
Amps		RPM		Design		Date																																							
Nom.Eff.	FL	% 3/4	% 230/460 V	10:1 CT	20:1 VT	PWM	VFD	1.0SF																																					
Class I DIV. 2 Groups A B C D		Amb.40°C		DE Brng																																									
Class I Zone 2 IIC		Amb.55°C		ODE Brng																																									
				Grease type: LGHP 2 (compatible with polyrex)																																									
50Hz	HP	V	A	rpm	1.0SF																																								
WorldWide Electric Corporation																																													

Model	PEWWE60-36-364TS								
HP	60	S.F.	1.25	IP	IP55	Encl	TEFC		
Frame	364TS	P.F.	0.85	Code	G	Type			
Voltage	230/460 V	Hz	60 Hz	Ins Cl	F	Ambient	40°C		
Amps	141/70.6	RPM	3560	Design	B	DE Brng 6313 C3			
Nom.Eff.	FL	93.6%	3/4	93.8%	ODE Brng 6312 C3				
Class 1 Division 2 Groups A,B,C,D					T3A(180°C)	Grease type: SKF LGHP 2			
50Hz	60 HP	200/400 V	164/81.8	A	2960 rpm				