

DATA SHEET

Premium Efficiency Motor: **PEWWE60-36-364TSC**

60 Hz

WorldWide Electric Corporation

1 (800) 808-2131

Worldwideelectric.net



Document Generated: 1-Aug-2023

Document ID:

Customer:

MOTOR INFORMATION

HP	60
RPM	3600
Phase	3
Frequency	60 Hz
Voltage	230/460 V
Frame Size	364TSC
Enclosure	TEFC
Degree of Protection	IP55
Service Factor	1.25
Poles	2
Full Load Speed	3560
Insulation Class	F
Temp Rise	80°C
NEMA Code Letter	G
Duty Cycle	S1 / Continuous
Slip	1.10%
NEMA Design	B
Moment of Inertia	7.84 lb.ft.^2
Locked Rotor Time (Hot)	15 seconds
Sound Pressure Level	77 dB(A)
Number of Starts	2 Cold/ 1 Hot
Max Ambient Temperature	40°C
Max Elevation	1000 m.a.s.l (3300 f.a.s.l)
Mounting	F1
Rotation	Bi-Directional
Area of Classification	Class 1 Division 2 Groups A,B,C,D T3A(180°C)
Inverter Rating	10:1 CT / 20:1 VT PWM Type
Standard	NEMA MG-1
Approvals	CSA-US, CE

EFFICIENCY/POWER FACTOR

LOAD	EFF	P. F.
100%	93.6 %	0.85
75%	93.8 %	0.84
50%	93.2 %	0.78

TORQUE

FULL LOAD	LRT	BDT
88.5 lb.ft.	190 %	220 %

AMPERAGE INFORMATION

	230V	460V
Full Load Amps	141A	70.6A
Locked Rotor Amps	870A	435A
No Load Current	38A	19A
Usable at 208V	156A	

BEARING INFORMATION

DE Bearing	6313 C3
ODE Bearing	6312 C3
Grease Type	SKF LGHP 2
DE Regreasing Interval	1800 Hours
ODE Regreasing Interval	2400 Hours

ADDITIONAL DATA

F2 Suitable	Yes
Shaft Material	1045 Carbon Steel
Connection Diagram	230 / 460 V - 12 Lead Δ
Approximate Weight	743 lbs.

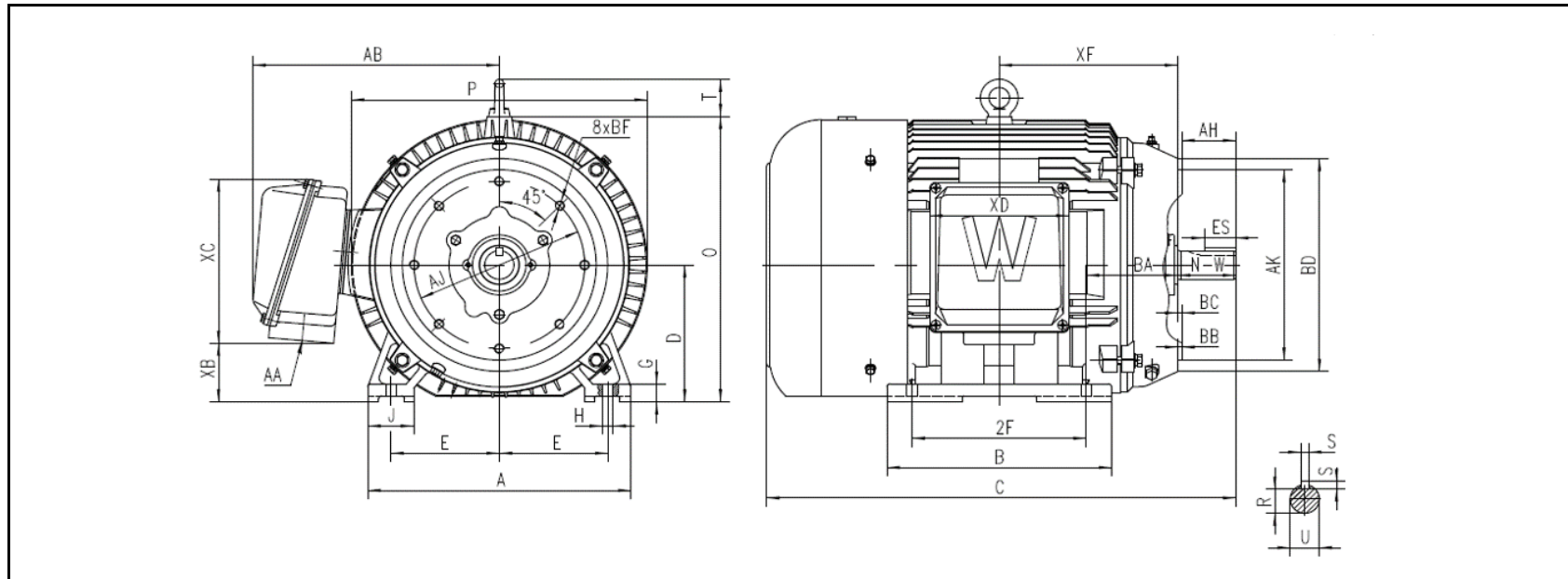
MOTOR DRAWING

Premium Efficiency Motor: **PEWWE60-36-364TSC**

WorldWide Electric Corporation

1 (800) 808-2131

Worldwideelectric.net



DIMENSION - INCHES

MOUNTING					A	B	C	D	G	J	P	O	T	AB
E	2F1	2F	H	BA										
7	--	11.25	0.66	5.88	16.969	14.488	30.246	9	1.181	2.953	19.091	18.8	2.441	15.899

SHAFT & KEY					
S	ES	R	N-W	AH	U
0.5	2.03	1.591	3.75	3.5	1.875

TERMINAL BOX				
AA	XB	XC	XD	XF
3	3.849	10.783	8.976	11.496

FLANGE					
AJ	AK	BB	BD	BF	BC
11	12.5	0.25	13.989	5/8-11	0.25

PERFORMANCE CURVES

WorldWide Electric Corporation

1 (800) 808-2131

Worldwideelectric.net



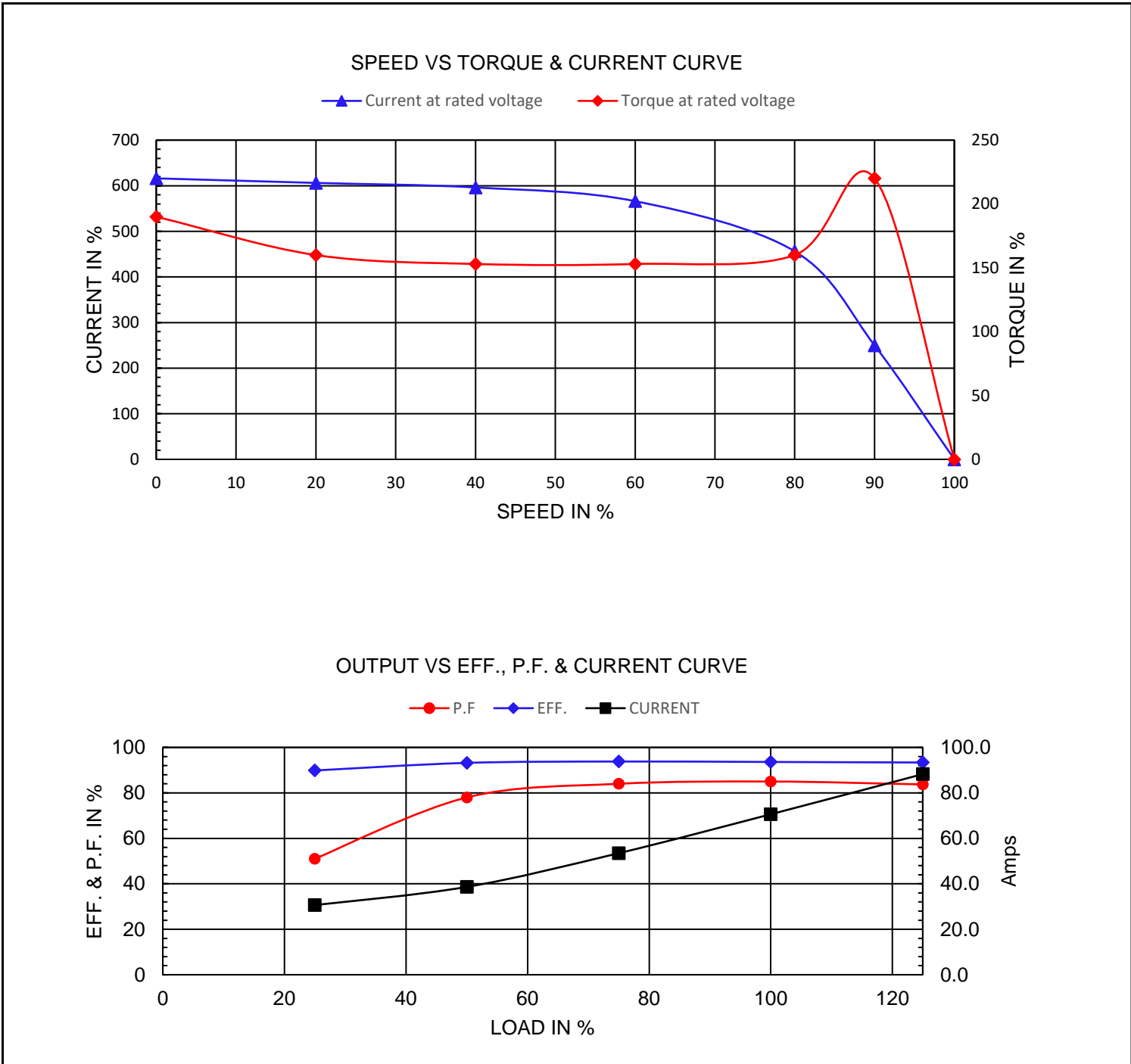
Premium Efficiency Motor:

PEWWE60-36-364TSC

Document Generated: 1-Aug-2023
Document ID:

Customer:

Motor Type	PEWWE		FL Speed	3560	
Output Rating (HP)	60		LRT (%FLT)	190	460 volt FLA 70.6
Full Load Torque	88.5	lb.ft	BDT (%FLT)	220	230 volt FLA 141
Rotor Wk ²	7.84	lb-ft ²			



NAMEPLATE / WIRING

WorldWide Electric Corporation

1 (800) 808-2131

Worldwideelectric.net



WORLDWIDE
ELECTRIC CORPORATION

Premium Efficiency Motor:

PEWWE60-36-364TSC

Document Generated: 1-Aug-2023
Document ID:

Customer:

SAMPLE NAMEPLATE DATA

		NEMA Premium		3-PHASE INDUCTION MOTOR		259277		CE															
Model		Ser No.		<table border="1"> <tr><td>6</td><td>4</td><td>5</td></tr> <tr><td>7</td><td>8</td><td>9</td></tr> <tr><td>12</td><td>10</td><td>11</td></tr> <tr><td>1</td><td>2</td><td>3</td></tr> <tr><td>L1</td><td>L2</td><td>L3</td></tr> </table>					6	4	5	7	8	9	12	10	11	1	2	3	L1	L2	L3
6	4	5																					
7	8	9																					
12	10	11																					
1	2	3																					
L1	L2	L3																					
HP		S.F.		IP		Encl		<table border="1"> <tr><td>4</td><td>5</td><td>6</td></tr> <tr><td>7</td><td>8</td><td>9</td></tr> <tr><td>12</td><td>10</td><td>11</td></tr> <tr><td>1</td><td>2</td><td>3</td></tr> <tr><td>L1</td><td>L2</td><td>L3</td></tr> </table>	4	5	6	7	8	9	12	10	11	1	2	3	L1	L2	L3
4	5	6																					
7	8	9																					
12	10	11																					
1	2	3																					
L1	L2	L3																					
Frame		P.F.		Code		Type																	
Voltage	230/460	Hz		Ins Cl		Rating	°C Amb Cont																
Amps		RPM		Design		Date																	
Nom.Eff.	FL	% 3/4	% 230/460 V	10:1 CT	20:1 VT	PWM VFD	1.0SF																
Class I DIV. 2 Groups A B C D		Amb.40°C		DE Brng																			
Class I Zone 2 IIC		Amb.55°C		ODE Brng																			
				Grease type: LGHP 2 (compatible with polyrex)																			
50Hz		HP	V	A	rpm	1.0SF																	
WorldWide Electric Corporation																							

Model	PEWWE60-36-364TSC							
HP	60	S.F.	1.25	IP	IP55	Encl	TEFC	
Frame	364TSC	P.F.	0.85	Code	G	Type		
Voltage	230/460 V	Hz	60 Hz	Ins Cl	F	Ambient	40°C	
Amps	141/70.6	RPM	3560	Design	B	DE Brng	6313 C3	
Nom.Eff.	FL	93.6%	3/4	93.8%		ODE Brng	6312 C3	
Class 1 Division 2 Groups A,B,C,D						T3A(180°C)	Grease type: SKF LGHP 2	
50Hz		60 HP	200/400 V	164/81.8	A	2960 rpm		