

DATA SHEET

Premium Efficiency Motor: **PEWWE7.5-12-254TC**

60 Hz

WorldWide Electric Corporation

1 (800) 808-2131

Worldwideelectric.net



Document Generated: 1-Aug-2023

Document ID:

Customer:

MOTOR INFORMATION

HP	7.5
RPM	1200
Phase	3
Frequency	60 Hz
Voltage	230/460 V
Frame Size	254TC
Enclosure	TEFC
Degree of Protection	IP55
Service Factor	1.25
Poles	6
Full Load Speed	1175
Insulation Class	F
Temp Rise	80°C
NEMA Code Letter	H
Duty Cycle	S1 / Continuous
Slip	2.08%
NEMA Design	B
Moment of Inertia	1.59 lb.ft.^2
Locked Rotor Time (Hot)	19 seconds
Sound Pressure Level	66 dB(A)
Number of Starts	2 Cold/ 1 Hot
Max Ambient Temperature	40°C
Max Elevation	1000 m.a.s.l (3300 f.a.s.l)
Mounting	F1
Rotation	Bi-Directional
Area of Classification	Class 1 Division 2 Groups A,B,C,D T3C(160°C)
Inverter Rating	10:1 CT / 20:1 VT PWM Type
Standard	NEMA MG-1
Approvals	CSA-US, CE

EFFICIENCY/POWER FACTOR

LOAD	EFF	P. F.
100%	91.0 %	0.82
75%	91.3 %	0.76
50%	90.6 %	0.65

TORQUE

FULL LOAD	LRT	BDT
33.5 lb.ft.	170 %	280 %

AMPERAGE INFORMATION

	230V	460V
Full Load Amps	18.8A	9.41A
Locked Rotor Amps	127A	63.5A
No Load Current	9A	4.5A
Usable at 208V	20.8A	

BEARING INFORMATION

DE Bearing	6309 C3
ODE Bearing	6209 C3
Grease Type	SKF LGHP 2
DE Regreasing Interval	7500 Hours
ODE Regreasing Interval	7500 Hours

ADDITIONAL DATA

F2 Suitable	Yes
Shaft Material	1045 Carbon Steel
Connection Diagram	230 / 460 V - 9 Lead Δ
Approximate Weight	226 lbs.

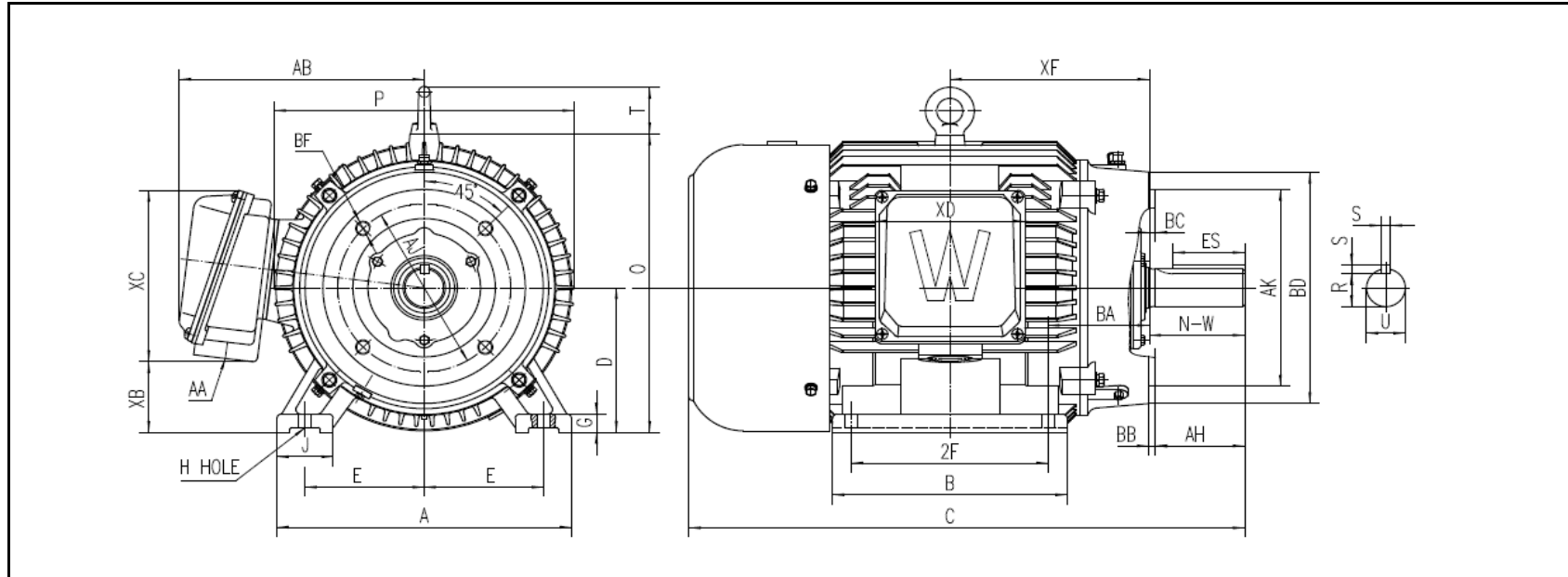
MOTOR DRAWING

Premium Efficiency Motor: **PEWWE7.5-12-254TC**

WorldWide Electric Corporation

1 (800) 808-2131

Worldwideelectric.net



DIMENSION - INCHES

MOUNTING					A	B	C	D	G	J	P	O	T	AB
E	2F1	2F	H	BA										
5	--	8.25	0.53	4.25	12.362	9.843	23.309	6.25	0.787	2.362	12.598	12.894	2.006	10.276

SHAFT & KEY					
S	ES	R	N-W	AH	U
0.375	2.91	1.416	4	3.75	1.625

TERMINAL BOX				
AA	XB	XC	XD	XF
1.5	3.047	7.406	6.299	8.364

FLANGE					
AJ	AK	BB	BD	BF	BC
7.25	8.5	0.25	10	1/2-13	0.25

PERFORMANCE CURVES

WorldWide Electric Corporation

1 (800) 808-2131

Worldwideelectric.net



Premium Efficiency Motor:

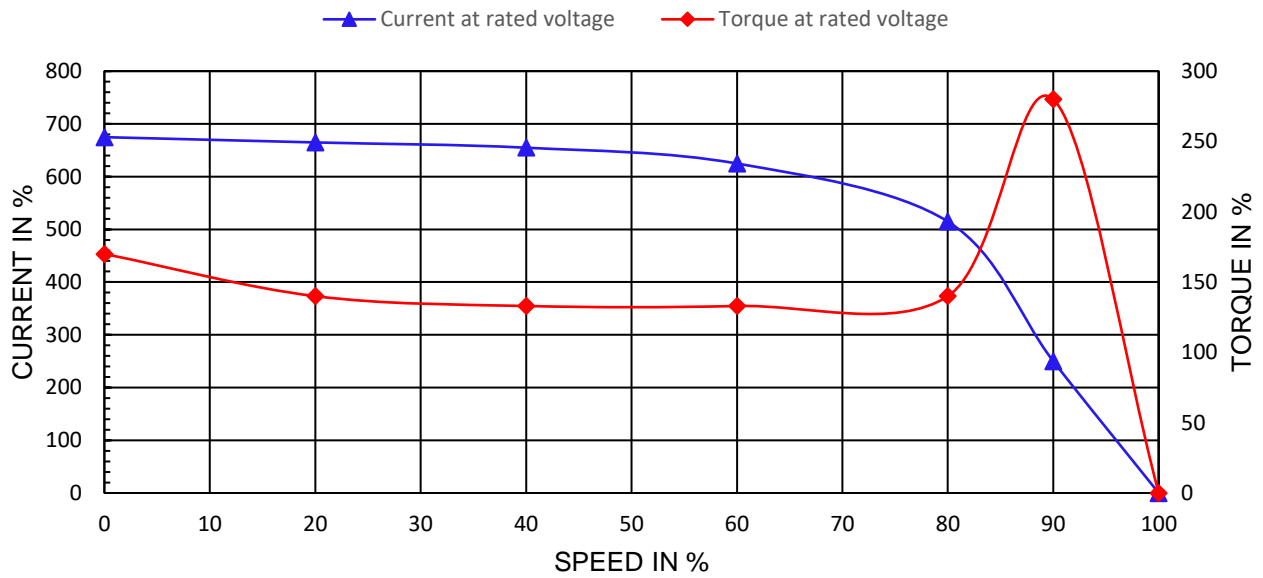
PEWWE7.5-12-254TC

Document Generated: 1-Aug-2023
 Document ID:

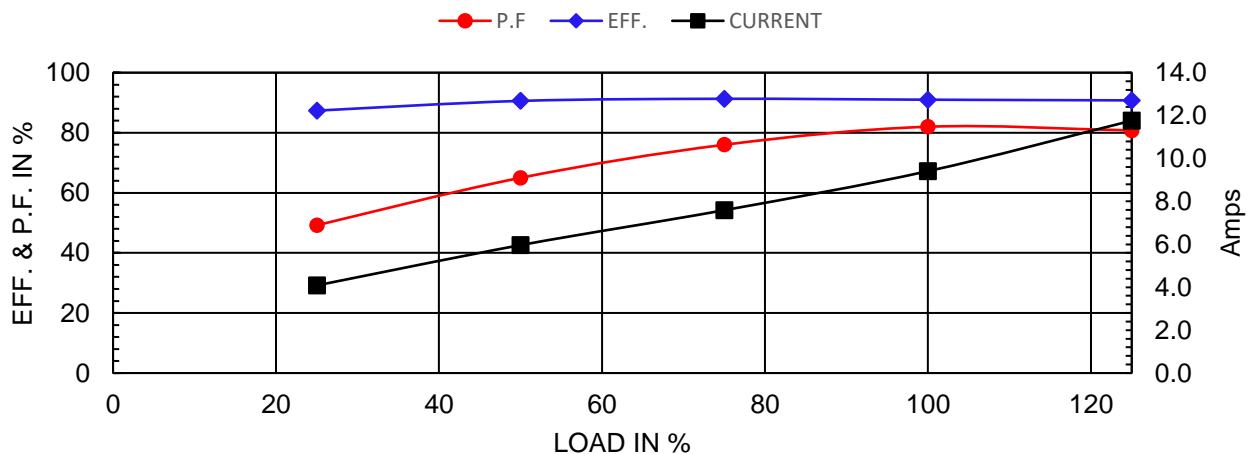
Customer:

Motor Type	PEWWE				
Output Rating (HP)	7.5	FL Speed	1175		
Full Load Torque	33.5 lb.ft	LRT (%FLT)	170	460 volt FLA	9.41
Rotor Wk ²	1.59 lb-ft ²	BDT (%FLT)	280	230 volt FLA	18.8

SPEED VS TORQUE & CURRENT CURVE



OUTPUT VS EFF., P.F. & CURRENT CURVE



NAMEPLATE / WIRING

Premium Efficiency Motor:

PEWWE7.5-12-254TC

WorldWide Electric Corporation

1 (800) 808-2131

Worldwideelectric.net



Document Generated: 1-Aug-2023
Document ID:

Customer:

SAMPLE NAMEPLATE DATA

		NEMA Premium		3-PHASE INDUCTION MOTOR		259277		CE	CC006A
Model		Ser No.							
HP		S.F.		IP		Encl			
Frame		P.F.		Code		Type			
Voltage	230/460	Hz		Ins Cl		Rating	°C Amb Cont		
Amps		RPM		Design		Date			
Nom. Eff.	FL	% 3/4	%	230/460V	10:1 CT	20:1 VT	PWM	VFD	1.0SF
Class I DIV. 2 Groups A B C D				Amb.40°C	T3C(160°C)	DE Brng			
Class I Zone 2 II C				Amb.55°C	T3A(180°C)	ODE Brng			
				Grease type:					
50Hz		HP	V	A	rpm	S.F1.0			

Model	PEWWE7.5-12-254TC								
HP	7.5	S.F.	1.25	IP	IP55	Encl	TEFC		
Frame	254TC	P.F.	0.82	Code	H	Type			
Voltage	230/460 V	Hz	60 Hz	Ins Cl	F	Ambient	40°C		
Amps	18.8/9.41	RPM	1175	Design	B	DE Brng	6309 C3		
Nom. Eff.	FL	91.0%	3/4	91.3%		ODE Brng	6209 C3		
Class 1 Division 2 Groups A,B,C,D				T3C(160°C)		Grease type: SKF LGHP 2			
50Hz		7.5 HP	200/400 V	22.9/11.5 A		970 rpm			