

# DATA SHEET

Premium Efficiency Motor: **PEWWE7.5-36-184TC**

**60 Hz**

WorldWide Electric Corporation

1 (800) 808-2131

Worldwideelectric.net



Document Generated: 1-Aug-2023

Document ID:

Customer:

## MOTOR INFORMATION

HP	7.5
RPM	3600
Phase	3
Frequency	60 Hz
Voltage	230/460 V
Frame Size	184TC
Enclosure	TEFC
Degree of Protection	IP55
Service Factor	1.15
Poles	2
Full Load Speed	3485
Insulation Class	F
Temp Rise	80°C
NEMA Code Letter	H
Duty Cycle	S1 / Continuous
Slip	3.19%
NEMA Design	B
Moment of Inertia	0.212 lb.ft.^2
Locked Rotor Time (Hot)	4.5 seconds
Sound Pressure Level	65 dB(A)
Number of Starts	2 Cold/ 1 Hot
Max Ambient Temperature	40°C
Max Elevation	1000 m.a.s.l (3300 f.a.s.l)
Mounting	F1
Rotation	Bi-Directional
Area of Classification	Class 1 Division 2 Groups A,B,C,D T3C(160°C)
Inverter Rating	10:1 CT / 20:1 VT PWM Type
Standard	NEMA MG-1
Approvals	CSA-US, CE

## EFFICIENCY/POWER FACTOR

LOAD	EFF	P. F.
100%	89.5 %	0.89
75%	90.8 %	0.87
50%	91.1 %	0.78

## TORQUE

FULL LOAD	LRT	BDT
11.3 lb.ft.	210 %	300 %

## AMPERAGE INFORMATION

	230V	460V
Full Load Amps	17.6A	8.82A
Locked Rotor Amps	127A	63.5A
No Load Current	5.6A	2.8A
Usable at 208V	19.5A	

## BEARING INFORMATION

DE Bearing	6206ZZ C3
ODE Bearing	6206ZZ C3
Grease Type	--
DE Regreasing Interval	- Hours
ODE Regreasing Interval	- Hours

## ADDITIONAL DATA

F2 Suitable	Yes
Shaft Material	1045 Carbon Steel
Connection Diagram	230 / 460 V - 9 Lead Y
Approximate Weight	105 lbs.

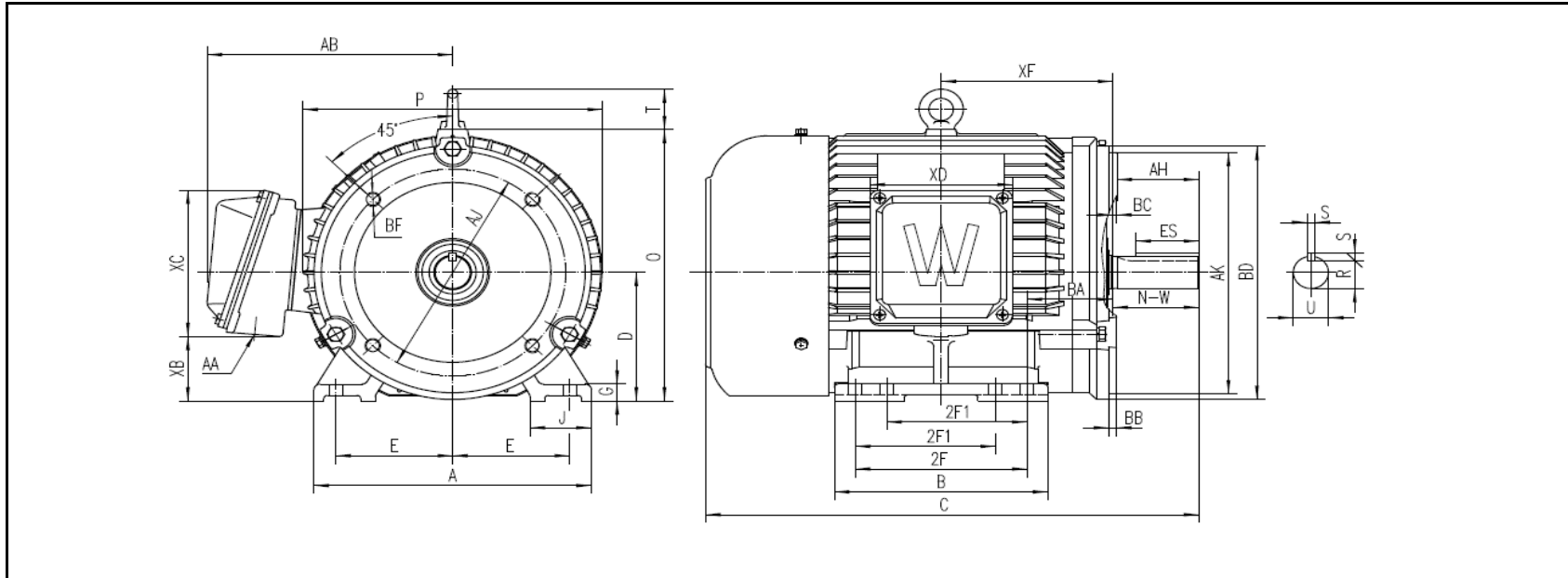
# MOTOR DRAWING

Premium Efficiency Motor: **PEWWE7.5-36-184TC**

WorldWide Electric Corporation

1 (800) 808-2131

Worldwideelectric.net



## DIMENSION - INCHES

MOUNTING					A	B	C	D	G	J	P	O	T	AB
E	2F1	2F	H	BA										
3.75	4.5	5.5	0.41	2.75	8.898	6.852	15.827	4.5	0.591	1.969	9.606	9.5	1.417	7.876

SHAFT & KEY					
S	ES	R	N-W	AH	U
0.25	1.78	0.986	2.75	2.62	1.125

TERMINAL BOX				
AA	XB	XC	XD	XF
1	2.26	5.124	4.567	5.509

FLANGE					
AJ	AK	BB	BD	BF	BC
7.25	8.5	0.25	8.86	1/2-13	0.12

# PERFORMANCE CURVES

WorldWide Electric Corporation

1 (800) 808-2131

Worldwideelectric.net



Premium Efficiency Motor:

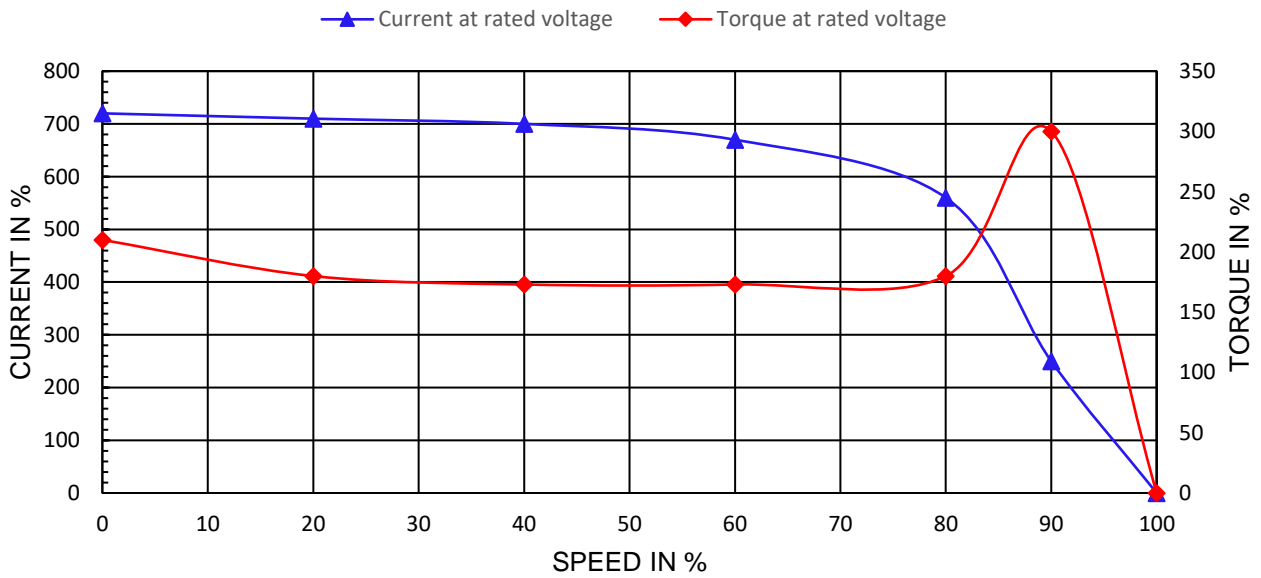
**PEWWE7.5-36-184TC**

Document Generated: 1-Aug-2023  
Document ID:

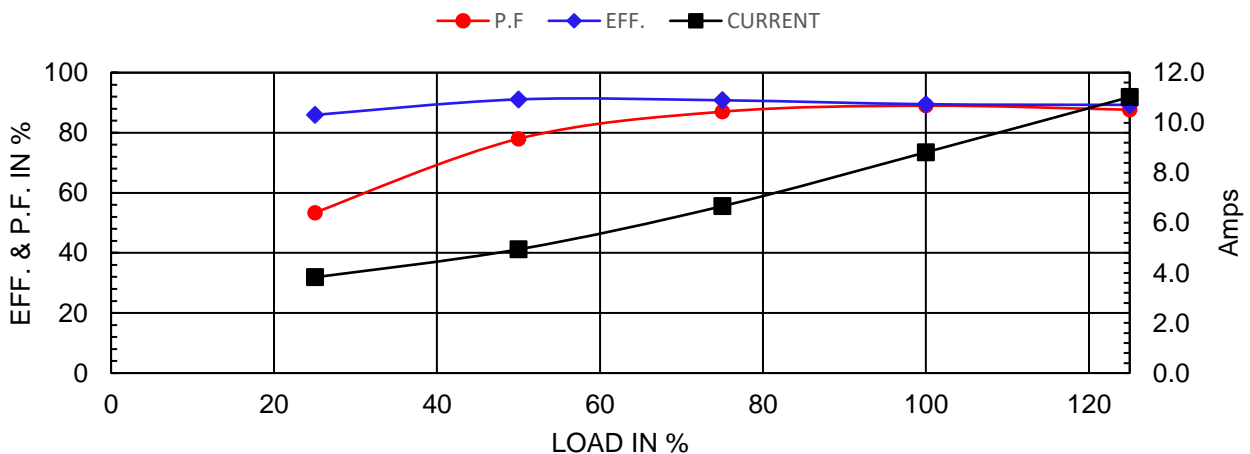
Customer:

Motor Type	PEWWE				
Output Rating (HP)	7.5	FL Speed	3485		
Full Load Torque	11.3 lb.ft	LRT (%FLT)	210	460 volt FLA	8.82
Rotor Wk <sup>2</sup>	0.212 lb-ft <sup>2</sup>	BDT (%FLT)	300	230 volt FLA	17.6

SPEED VS TORQUE & CURRENT CURVE



OUTPUT VS EFF., P.F. & CURRENT CURVE



# NAMEPLATE / WIRING

Premium Efficiency Motor:

**PEWWE7.5-36-184TC**

WorldWide Electric Corporation

1 (800) 808-2131

Worldwideelectric.net



Document Generated: 1-Aug-2023  
Document ID:

Customer:

## SAMPLE NAMEPLATE DATA

		<b>NEMA Premium</b>		3-PHASE INDUCTION MOTOR		259277			CC006A																														
Model			Ser No.			<table border="1"> <tr> <td colspan="3">Low Voltage</td> </tr> <tr> <td>4</td><td>5</td><td>6</td> </tr> <tr> <td>7</td><td>8</td><td>9</td> </tr> <tr> <td>1</td><td>2</td><td>3</td> </tr> <tr> <td>L1</td><td>L2</td><td>L3</td> </tr> <tr> <td colspan="3">High Voltage</td> </tr> <tr> <td>4</td><td>5</td><td>6</td> </tr> <tr> <td>7</td><td>8</td><td>9</td> </tr> <tr> <td>1</td><td>2</td><td>3</td> </tr> <tr> <td>L1</td><td>L2</td><td>L3</td> </tr> </table>				Low Voltage			4	5	6	7	8	9	1	2	3	L1	L2	L3	High Voltage			4	5	6	7	8	9	1	2	3	L1	L2	L3
Low Voltage																																							
4	5	6																																					
7	8	9																																					
1	2	3																																					
L1	L2	L3																																					
High Voltage																																							
4	5	6																																					
7	8	9																																					
1	2	3																																					
L1	L2	L3																																					
HP	S.F.	IP	Encl																																				
Frame	P.F.	Code	Type																																				
Voltage	230/460	Hz	Ins Cl	Rating	°C Amb Cont																																		
Amps	RPM	Design	Date																																				
Nom.Eff.	FL	% 3/4	% 230/460V	10:1 CT	20:1 VT	PWM	VFD	1.0SF																															
Class I DIV. 2 Groups A B C D			Amb.40°C	T3C(160°C)	DE Brng																																		
Class I Zone 2 IIC			Amb.55°C	T3A(180°C)	ODE Brng																																		
			Grease type:																																				
50Hz	HP	V	A	rpm	S.F1.0																																		
<b>WorldWide Electric Corporation</b>																																							

Model	PEWWE7.5-36-184TC									
HP	7.5	S.F.	1.15	IP	IP55	Encl	TEFC			
Frame	184TC	P.F.	0.89	Code	H	Type				
Voltage	230/460 V	Hz	60 Hz	Ins Cl	F	Ambient	40°C			
Amps	17.6/8.82	RPM	3485	Design	B	DE Brng	6206ZZ C3			
Nom.Eff.	FL	89.5%	3/4	90.8%	ODE Brng		6206ZZ C3			
Class 1 Division 2 Groups A,B,C,D					T3C(160°C)		Grease type: --			
50Hz	7.5 HP	200/400 V	20.9/10.4 A	2870 rpm						