

DATA SHEET

Premium Efficiency Motor: **PEWWE7.5-36-213T**

60 Hz

WorldWide Electric Corporation

1 (800) 808-2131

Worldwideelectric.net



Document Generated: 31-Jul-2023

Document ID:

Customer:

MOTOR INFORMATION

HP	7.5
RPM	3600
Phase	3
Frequency	60 Hz
Voltage	230/460 V
Frame Size	213T
Enclosure	TEFC
Degree of Protection	IP55
Service Factor	1.25
Poles	2
Full Load Speed	3505
Insulation Class	F
Temp Rise	80°C
NEMA Code Letter	H
Duty Cycle	S1 / Continuous
Slip	2.64%
NEMA Design	B
Moment of Inertia	0.242 lb.ft.^2
Locked Rotor Time (Hot)	15 seconds
Sound Pressure Level	72 dB(A)
Number of Starts	2 Cold/ 1 Hot
Max Ambient Temperature	40°C
Max Elevation	1000 m.a.s.l (3300 f.a.s.l)
Mounting	F1
Rotation	Bi-Directional
Area of Classification	Class 1 Division 2 Groups A,B,C,D T3C(160°C)
Inverter Rating	10:1 CT / 20:1 VT PWM Type
Standard	NEMA MG-1
Approvals	CSA-US, CE

EFFICIENCY/POWER FACTOR

LOAD	EFF	P. F.
100%	89.5 %	0.83
75%	89.7 %	0.78
50%	88.2 %	0.68

TORQUE

FULL LOAD	LRT	BDT
11.2 lb.ft.	150 %	280 %

AMPERAGE INFORMATION

	230V	460V
Full Load Amps	18.9A	9.45A
Locked Rotor Amps	127A	63.5A
No Load Current	7.8A	3.9A
Usable at 208V	20.9A	

BEARING INFORMATION

DE Bearing	6308ZZ C3
ODE Bearing	6207ZZ C3
Grease Type	-
DE Regreasing Interval	- Hours
ODE Regreasing Interval	- Hours

ADDITIONAL DATA

F2 Suitable	No
Shaft Material	1045 Carbon Steel
Connection Diagram	230 / 460 V - 9 Lead Δ
Approximate Weight	135 lbs.

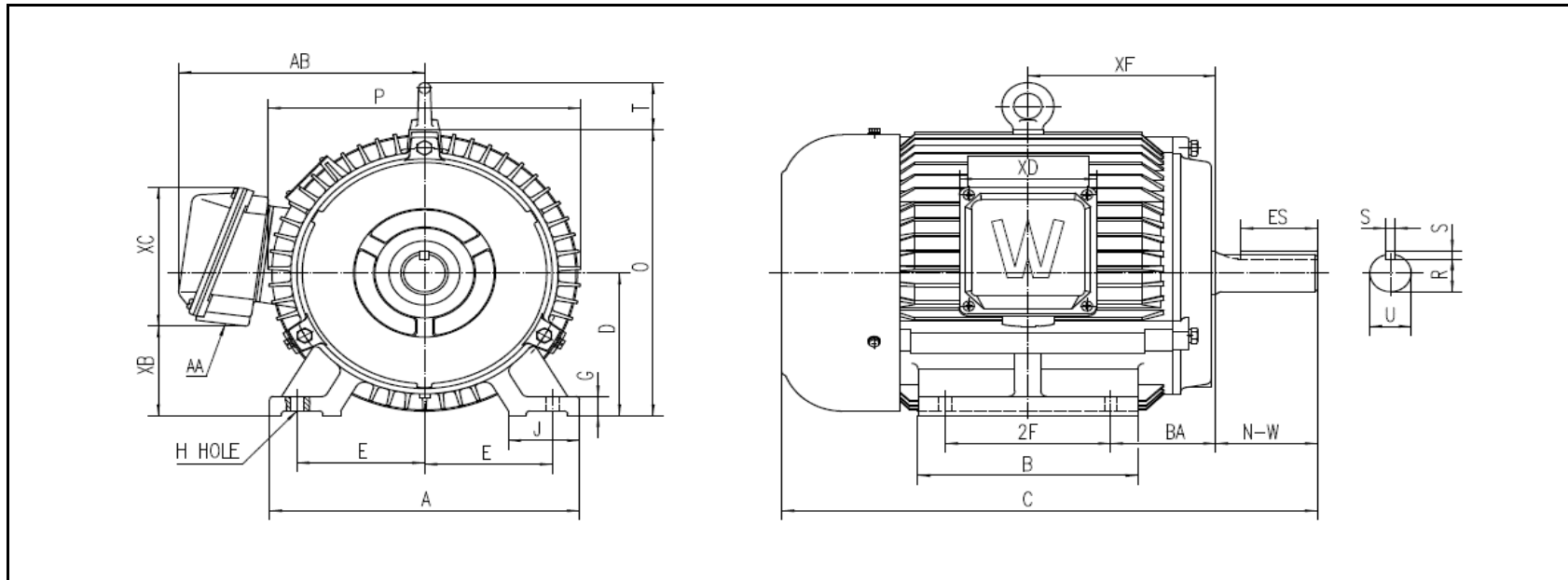
MOTOR DRAWING

Premium Efficiency Motor: **PEWWE7.5-36-213T**

WorldWide Electric Corporation

1 (800) 808-2131

Worldwideelectric.net



DIMENSION - INCHES

MOUNTING					A	B	C	D	G	J	P	O	T	AB
E	2F1	2F	H	BA										
4.25	--	5.5	0.41	3.5	10.315	7.323	17.823	5.25	0.709	2.362	10.389	10.526	1.732	8.178

SHAFT & KEY				
S	ES	R	N-W	U
0.312	2.41	1.201	3.38	1.375

TERMINAL BOX				
AA	XB	XC	XD	XF
1	3.296	5.098	4.567	6.254

PERFORMANCE CURVES

WorldWide Electric Corporation

1 (800) 808-2131

Worldwideelectric.net



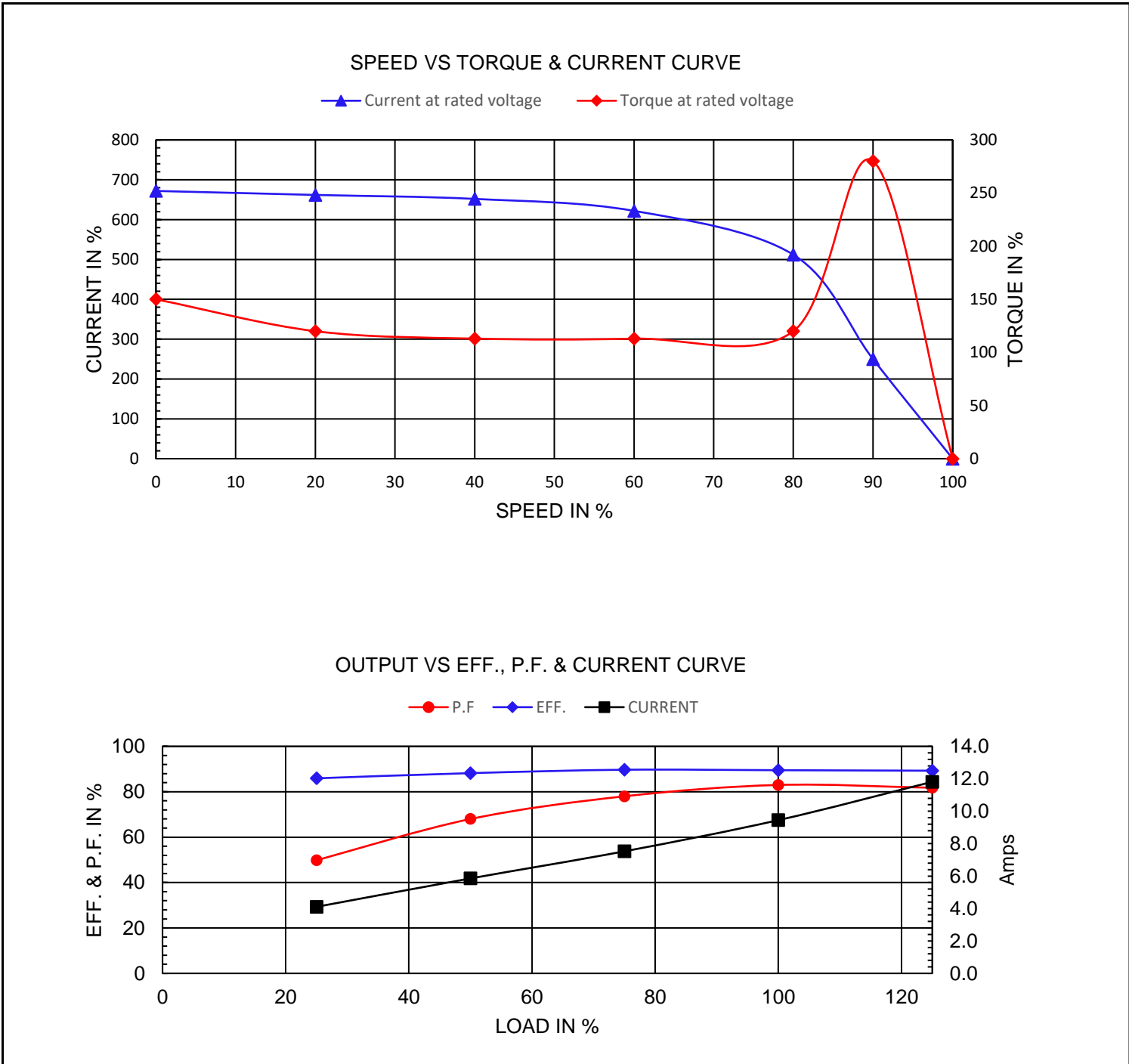
Premium Efficiency Motor:

PEWWE7.5-36-213T

Document Generated: 31-Jul-2023
 Document ID:

Customer:

Motor Type	PEWWE		FL Speed	3505		
Output Rating (HP)	7.5		LRT (%FLT)	150	460 volt FLA	9.45 A
Full Load Torque	11.2	lb.ft	BDT (%FLT)	280	230 volt FLA	18.9 A
Rotor Wk^2	0.242	lb-ft^2				



NAMEPLATE / WIRING

WorldWide Electric Corporation

1 (800) 808-2131

Worldwideelectric.net



Premium Efficiency Motor:

PEWWE7.5-36-213T

Document Generated: 31-Jul-2023
Document ID:

Customer:

SAMPLE NAMEPLATE DATA

		NEMA Premium		3-PHASE INDUCTION MOTOR		259277 		CC006A
Model				Ser No.				Low Voltage 6 4 5 7 8 9 1 2 3 L1 L2 L3
HP	S.F.			IP			High Voltage 4 5 6 7 8 9 1 2 3 L1 L2 L3	
Frame	P.F.			Code				
Voltage	230/460	Hz		Ins Cl				
Amps		RPM		Design			Date	
Nom.Eff.	FL	% 3/4	%	230/460V	10:1 CT	20:1 VT	PWM VFD	1.0SF
				DE Brng				
Class I DIV. 2 Groups A B C D				Amb.40°C	T3C(160°C)	ODE Brng		
Class I Zone 2 IIC				Amb.55°C	T3A(180°C)	Grease type:		
50Hz		HP	V	A	rpm	S.F1.0		
WorldWide Electric Corporation								

Model

HP S.F. IP Encl

Frame P.F. Code Type

Voltage Hz Ins Cl Ambient

Amps RPM Design DE Brng

Nom.Eff. ODE Brng

Grease type: