

DATA SHEET

Premium Efficiency Motor: **PEWWE7.5-36-213TC**

60 Hz

WorldWide Electric Corporation

1 (800) 808-2131

Worldwideelectric.net



Document Generated: 1-Aug-2023
Document ID:

Customer:

MOTOR INFORMATION	
HP	7.5
RPM	3600
Phase	3
Frequency	60 Hz
Voltage	230/460 V
Frame Size	213TC
Enclosure	TEFC
Degree of Protection	IP55
Service Factor	1.25
Poles	2
Full Load Speed	3505
Insulation Class	F
Temp Rise	80°C
NEMA Code Letter	H
Duty Cycle	S1 / Continuous
Slip	2.64%
NEMA Design	B
Moment of Inertia	0.242 lb.ft.^2
Locked Rotor Time (Hot)	15 seconds
Sound Pressure Level	72 dB(A)
Number of Starts	2 Cold/ 1 Hot
Max Ambient Temperature	40°C
Max Elevation	1000 m.a.s.l (3300 f.a.s.l)
Mounting	F1
Rotation	Bi-Directional
Area of Classification	Class 1 Division 2 Groups A,B,C,D T3C(160°C)
Inverter Rating	10:1 CT / 20:1 VT PWM Type
Standard	NEMA MG-1
Approvals	CSA-US, CE

EFFICIENCY/POWER FACTOR		
LOAD	EFF	P. F.
100%	89.5 %	0.83
75%	89.7 %	0.78
50%	88.2 %	0.68

TORQUE		
FULL LOAD	LRT	BDT
11.2 lb.ft.	150 %	280 %

AMPERAGE INFORMATION		
	230V	460V
Full Load Amps	18.9A	9.45A
Locked Rotor Amps	127A	63.5A
No Load Current	7.8A	3.9A
Usable at 208V	20.9A	

BEARING INFORMATION	
DE Bearing	6308ZZ C3
ODE Bearing	6207ZZ C3
Grease Type	--
DE Regreasing Interval	- Hours
ODE Regreasing Interval	- Hours

ADDITIONAL DATA	
F2 Suitable	No
Shaft Material	1045 Carbon Steel
Connection Diagram	230 / 460 V - 9 Lead Y
Approximate Weight	135 lbs.

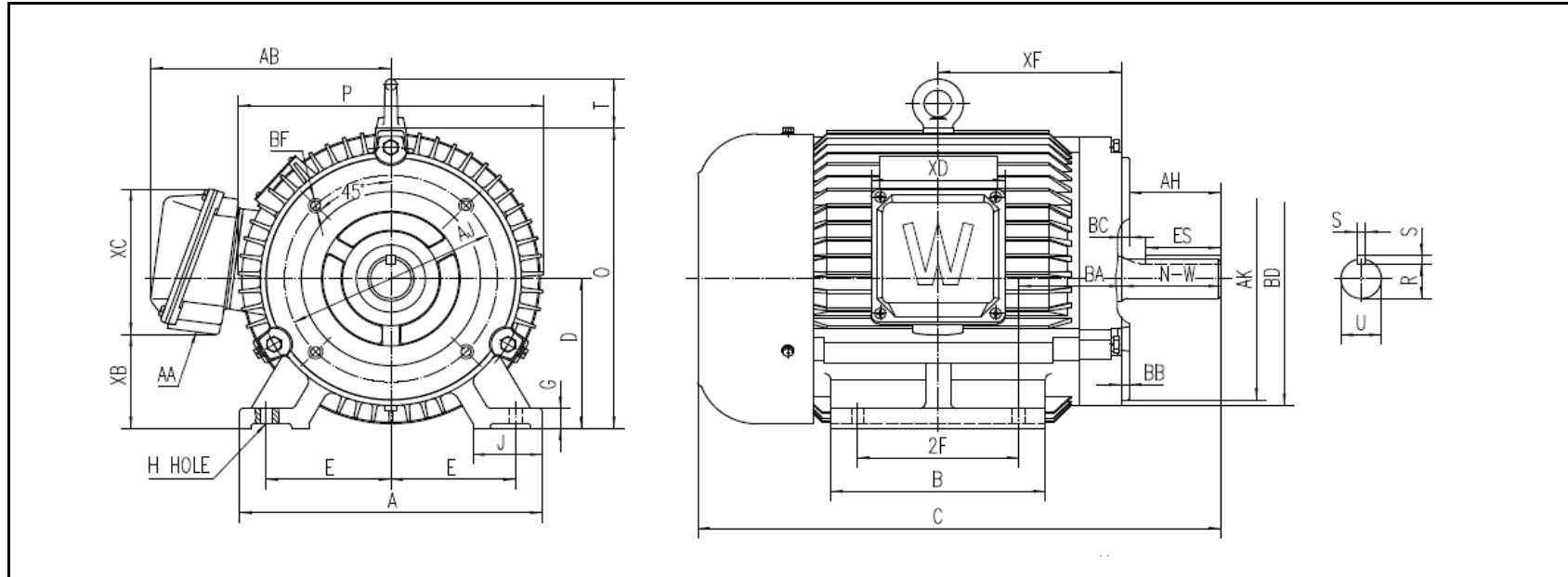
MOTOR DRAWING

Premium Efficiency Motor: **PEWWE7.5-36-213TC**

WorldWide Electric Corporation

1 (800) 808-2131

Worldwideelectric.net



DIMENSION - INCHES

MOUNTING					A	B	C	D	G	J	P	O	T	AB
E	2F1	2F	H	BA										
4.25	--	5.5	0.41	3.5	10.315	7.323	17.823	5.25	0.709	2.362	10.389	10.526	1.732	8.178

SHAFT & KEY					
S	ES	R	N-W	AH	U
0.312	2.41	1.201	3.38	3.12	1.375

TERMINAL BOX				
AA	XB	XC	XD	XF
1	3.296	5.098	4.567	6.254

FLANGE					
AJ	AK	BB	BD	BF	BC
7.25	8.5	0.25	8.898	1/2-13	0.25

PERFORMANCE CURVES

WorldWide Electric Corporation

1 (800) 808-2131

Worldwideelectric.net



Premium Efficiency Motor:

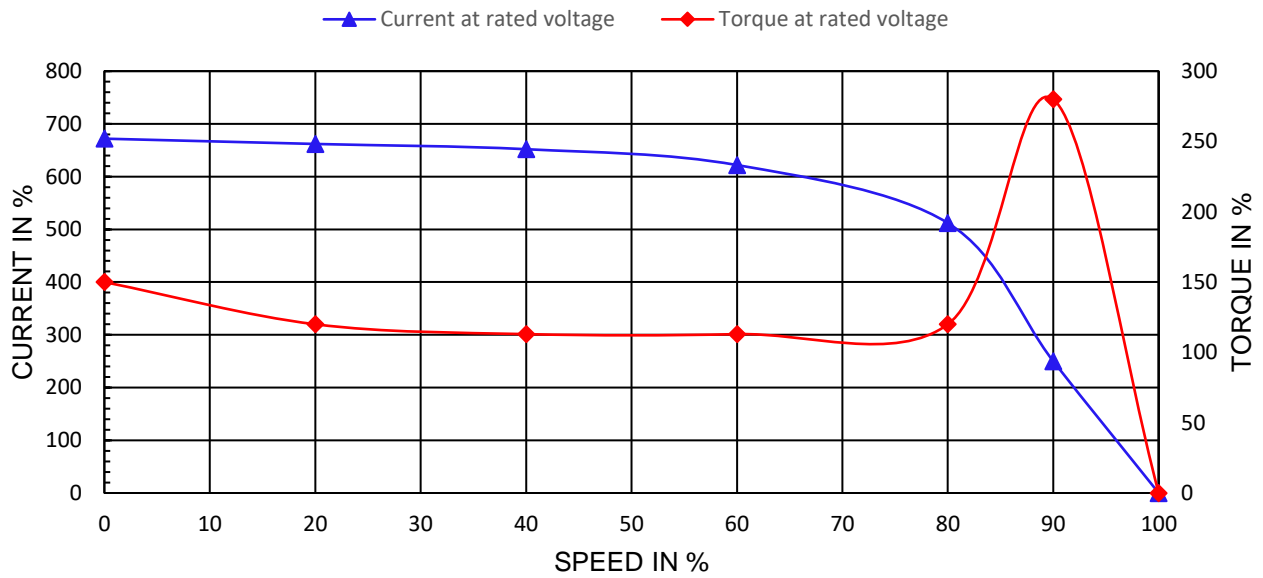
PEWWE7.5-36-213TC

Document Generated: 1-Aug-2023
Document ID:

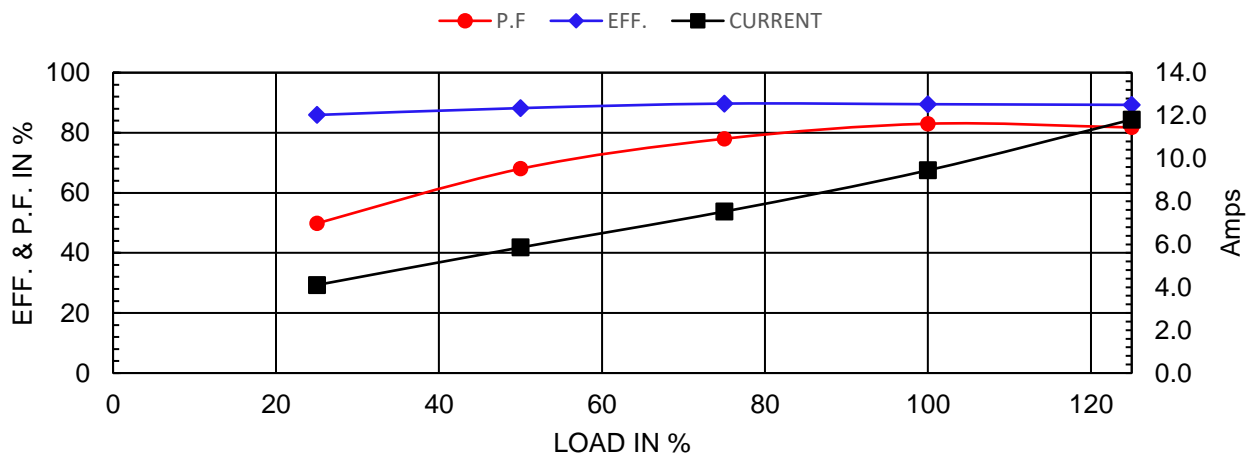
Customer:

Motor Type	PEWWE		FL Speed	3505	
Output Rating (HP)	7.5		LRT (%FLT)	150	460 volt FLA 9.45
Full Load Torque	11.2	lb.ft	BDT (%FLT)	280	230 volt FLA 18.9
Rotor Wk ²	0.242	lb-ft ²			

SPEED VS TORQUE & CURRENT CURVE



OUTPUT VS EFF., P.F. & CURRENT CURVE



NAMEPLATE / WIRING

Premium Efficiency Motor:

PEWWE7.5-36-213TC

WorldWide Electric Corporation

1 (800) 808-2131

Worldwideelectric.net



Document Generated: 1-Aug-2023
Document ID:

Customer:

SAMPLE NAMEPLATE DATA

		NEMA Premium		3-PHASE INDUCTION MOTOR		259277		CE	CC006A																														
Model			Ser No.			<table border="1"> <tr> <td colspan="3">Low Voltage</td> </tr> <tr> <td>4</td><td>5</td><td>6</td> </tr> <tr> <td>7</td><td>8</td><td>9</td> </tr> <tr> <td>1</td><td>2</td><td>3</td> </tr> <tr> <td>L1</td><td>L2</td><td>L3</td> </tr> <tr> <td colspan="3">High Voltage</td> </tr> <tr> <td>4</td><td>5</td><td>6</td> </tr> <tr> <td>7</td><td>8</td><td>9</td> </tr> <tr> <td>1</td><td>2</td><td>3</td> </tr> <tr> <td>L1</td><td>L2</td><td>L3</td> </tr> </table>				Low Voltage			4	5	6	7	8	9	1	2	3	L1	L2	L3	High Voltage			4	5	6	7	8	9	1	2	3	L1	L2	L3
Low Voltage																																							
4	5	6																																					
7	8	9																																					
1	2	3																																					
L1	L2	L3																																					
High Voltage																																							
4	5	6																																					
7	8	9																																					
1	2	3																																					
L1	L2	L3																																					
HP	S.F.	IP	Encl																																				
Frame	P.F.	Code	Type																																				
Voltage	230/460	Hz	Ins Cl	Rating	°C Amb Cont																																		
Amps	RPM	Design	Date																																				
Nom.Eff.	FL	% 3/4	% 230/460V	10:1 CT	20:1 VT	PWM	VFD	1.0SF																															
Class I DIV. 2 Groups A B C D			Amb.40°C	T3C(160°C)	DE Brng																																		
Class I Zone 2 IIC			Amb.55°C	T3A(180°C)	ODE Brng																																		
					Grease type:																																		
50Hz	HP	V	A	rpm	S.F1.0																																		
WorldWide Electric Corporation																																							

Model	PEWWE7.5-36-213TC									
HP	7.5	S.F.	1.25	IP	IP55	Encl	TEFC			
Frame	213TC	P.F.	0.83	Code	H	Type				
Voltage	230/460 V	Hz	60 Hz	Ins Cl	F	Ambient	40°C			
Amps	18.9/9.45	RPM	3505	Design	B	DE Brng	6308ZZ C3			
Nom.Eff.	FL	89.5%	3/4	89.7%	ODE Brng		6207ZZ C3			
Class 1 Division 2 Groups A,B,C,D					T3C(160°C)		Grease type: --			
50Hz	7.5 HP	200/400 V	22.4/11.2 A				2900 rpm			