

DATA SHEET

Premium Efficiency Motor: **PEWWE7.5-36-575-213T**

60 Hz

WorldWide Electric Corporation

1 (800) 808-2131

Worldwideelectric.net



Document Generated: 15-Feb-2023
Document ID:

Customer:

MOTOR INFORMATION	
HP	7.5
RPM	3600
Phase	3
Frequency	60 Hz
Voltage	575 V
Frame Size	213T
Enclosure	TEFC
Degree of Protection	IP55
Service Factor	1.25
Poles	2
Full Load Speed	3505
Insulation Class	F
Temp Rise	80°C
NEMA Code Letter	H
Duty Cycle	S1 / Continuous
Slip	2.64%
NEMA Design	B
Moment of Inertia	0.242 lb.ft.^2
Locked Rotor Time (Hot)	15 seconds
Sound Pressure Level	72 dB(A)
Number of Starts	2 Cold/ 1 Hot
Max Ambient Temperature	40°C
Max Elevation	1000 m.a.s.l (3300 f.a.s.l)
Mounting	F1
Rotation	Bi-Directional
Area of Classification	Class I, Division 2, Groups A, B, C, D
Inverter Rating	10:1 CT / 20:1 VT PWM Type
Standard	NEMA MG-1
Approvals	CSA-US, CE

EFFICIENCY/POWER FACTOR		
LOAD	EFF	P. F.
100%	89.5 %	0.83
75%	89.7 %	0.78
50%	88.2 %	0.68

TORQUE		
FULL LOAD	LRT	BDT
11.2 lb.ft.	150 %	280 %

AMPERAGE INFORMATION		
	575V	
Full Load Amps	7.56A	
Locked Rotor Amps	50.8A	
No Load Current	2.8A	

BEARING INFORMATION	
DE Bearing	6308ZZ C3
ODE Bearing	6207ZZ C3
Grease Type	SKF LGHP 2
DE Regreasing Interval	- Hours
ODE Regreasing Interval	- Hours

ADDITIONAL DATA	
F2 Suitable	No
Shaft Material	1045 Carbon Steel
Connection Diagram	575V - 3 Lead Y
Approximate Weight	135 lbs.

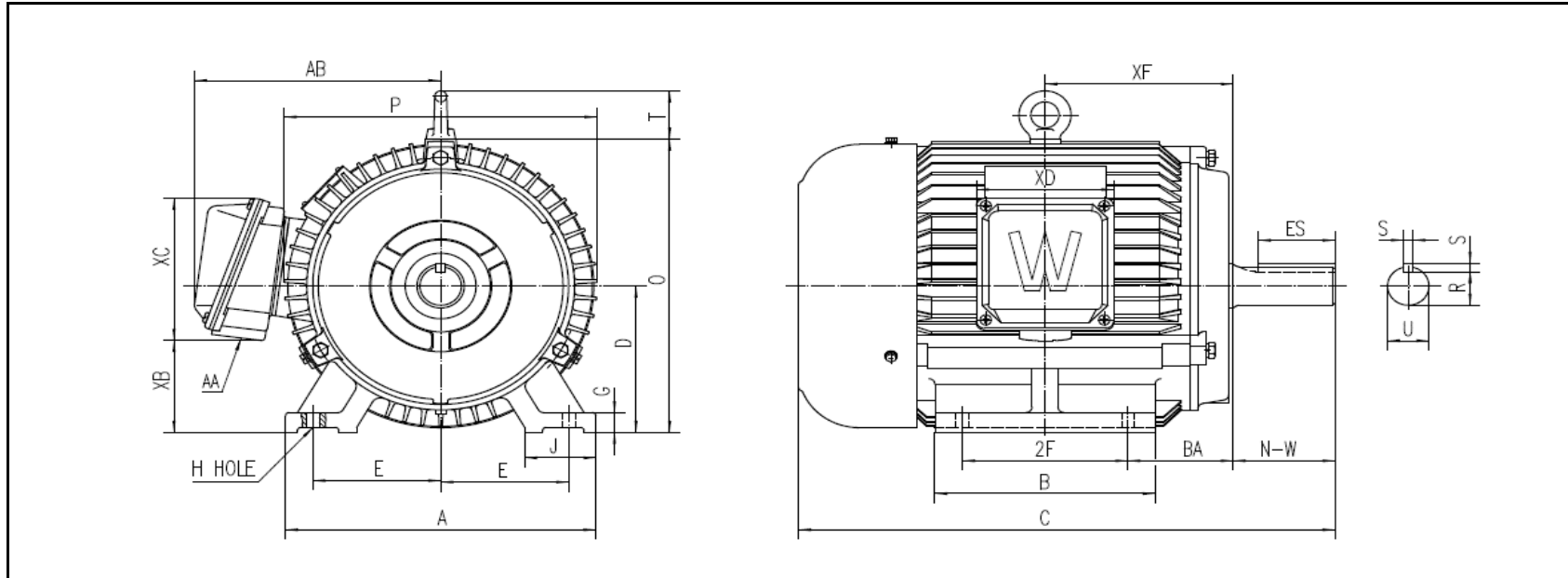
MOTOR DRAWING

Premium Efficiency Motor: **PEWWE7.5-36-575-213T**

WorldWide Electric Corporation

1 (800) 808-2131

Worldwideelectric.net



DIMENSION - INCHES

MOUNTING					A	B	C	D	G	J	P	O	T	AB
E	2F1	2F	H	BA										
4.25	--	5.5	0.41	3.5	10.315	7.323	17.823	5.25	0.709	2.362	10.389	10.526	1.732	8.178

SHAFT & KEY				
S	ES	R	N-W	U
0.312	2.41	1.201	3.38	1.375

TERMINAL BOX				
AA	XB	XC	XD	XF
1	3.296	5.098	4.567	6.254

PERFORMANCE CURVES

WorldWide Electric Corporation

1 (800) 808-2131

Worldwideelectric.net



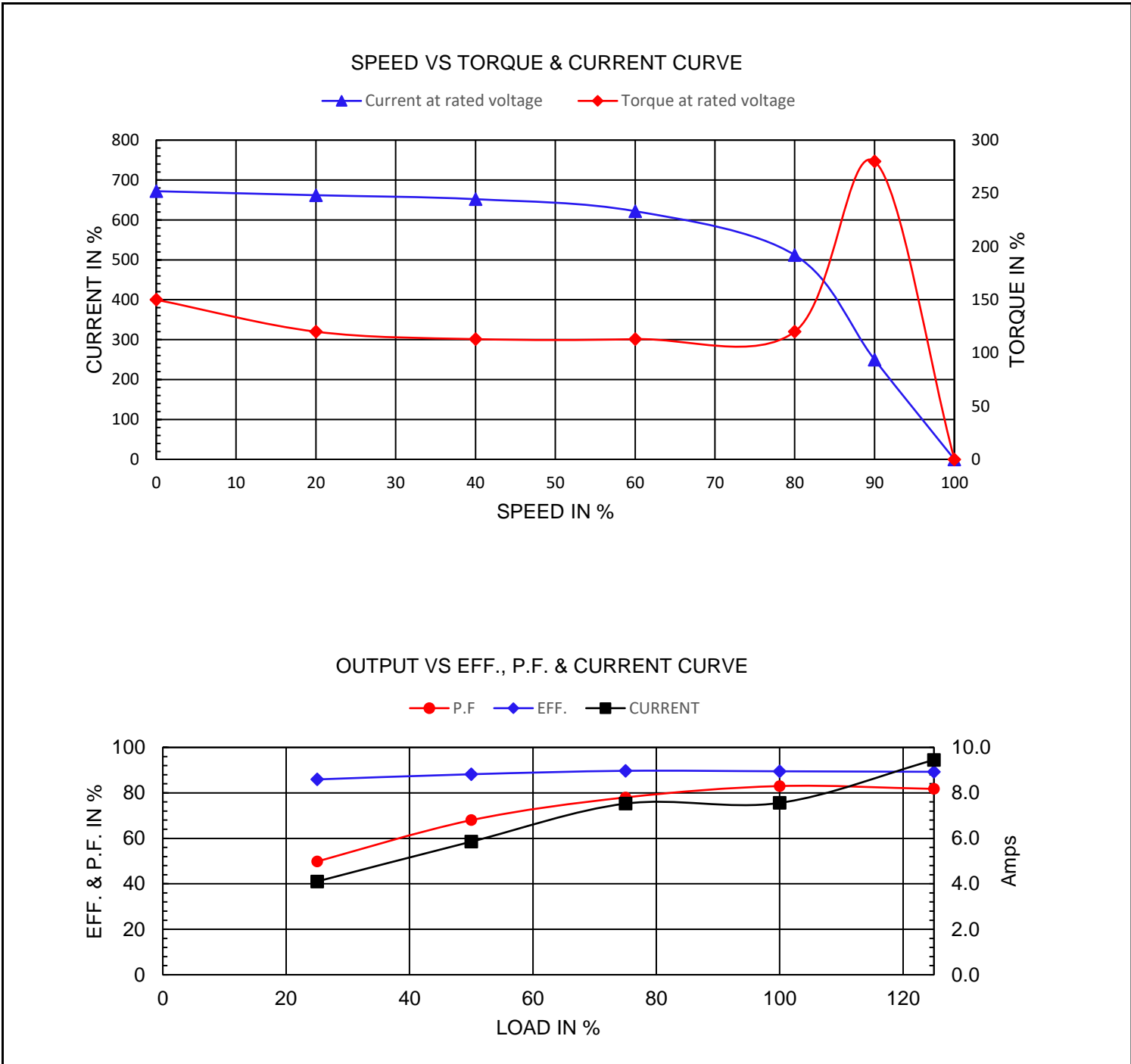
Premium Efficiency Motor:

PEWWE7.5-36-575-213T

Document Generated: 15-Feb-2023
 Document ID:

Customer:

Motor Type	PEWWE		FL Speed	3505
Output Rating (HP)	7.5		LRT (%FLT)	150
Full Load Torque	150	lb.ft	BDT (%FLT)	280
Rotor Wk^2	2.64	lb-ft^2	575 Volt FLA	7.56A



NAMEPLATE / WIRING

WorldWide Electric Corporation

1 (800) 808-2131

Worldwideelectric.net



Premium Efficiency Motor: **PEWWE7.5-36-575-213T**

Document Generated: 15-Feb-2023
Document ID:

Customer:

SAMPLE NAMEPLATE DATA

		NEMA Premium		3-PHASE INDUCTION MOTOR		259277 	 CC006A
Model				Ser No.			
HP		S.F.		IP		Encl	
Frame		P.F.		Code		Type	
Voltage		Hz		Ins Cl		Rating	°C Amb Cont
Amps		RPM		Design		Date	
Nom. Eff.	FL	% 3/4	%	V	10:1 CT	20:1 VT	PWM VFD 1.0SF
Class I DIV. 2 Groups A B C D		Amb.40°C	T3C(160°C)	DE Brng			
Class I Zone 2 IIC		Amb.55°C	T3A(180°C)	ODE Brng			
				Grease type:			
50Hz		HP	V	A	rpm	S.F1.0	
WorldWide Electric Corporation							

Model	PEWWE7.5-36-575-213T						
HP	7.5	S.F.	1.25	IP	IP55	Encl	TEFC
Frame	213T	P.F.	0.83	Code	H	Amb.	40°C
Voltage	575 V	Hz	60 Hz	Ins Cl	F	DE Brng	6308ZZ C3
Amps	7.56A	RPM	3505	Design	B	ODE Brng	6207ZZ C3
Nom. Eff.	FL	89.5%	3/4	89.7%			

50Hz 7.5 HP 500 V 8.95 A 2900 RPM