

DATA SHEET

Premium Efficiency Motor: **PEWWE75-12-405TC**

60 Hz

WorldWide Electric Corporation

1 (800) 808-2131

Worldwideelectric.net



Document Generated: 1-Aug-2023

Document ID:

Customer:

MOTOR INFORMATION

HP	75
RPM	1200
Phase	3
Frequency	60 Hz
Voltage	230/460 V
Frame Size	405TC
Enclosure	TEFC
Degree of Protection	IP55
Service Factor	1.25
Poles	6
Full Load Speed	1190
Insulation Class	F
Temp Rise	80°C
NEMA Code Letter	G
Duty Cycle	S1 / Continuous
Slip	0.83%
NEMA Design	B
Moment of Inertia	36 lb.ft.²
Locked Rotor Time (Hot)	23 seconds
Sound Pressure Level	74 dB(A)
Number of Starts	2 Cold/ 1 Hot
Max Ambient Temperature	40°C
Max Elevation	1000 m.a.s.l (3300 f.a.s.l)
Mounting	F1
Rotation	Bi-Directional
Area of Classification	Class 1 Division 2 Groups A,B,C,D T3A(180°C)
Inverter Rating	10:1 CT / 20:1 VT PWM Type
Standard	NEMA MG-1
Approvals	CSA-US, CE

EFFICIENCY/POWER FACTOR

LOAD	EFF	P. F.
100%	94.5 %	0.84
75%	94.8 %	0.81
50%	94.5 %	0.72

TORQUE

FULL LOAD	LRT	BDT
331 lb.ft.	170 %	240 %

AMPERAGE INFORMATION

	230V	460V
Full Load Amps	177A	88.5A
Locked Rotor Amps	1085A	542.5A
No Load Current	61A	30.5A
Usable at 208V	196A	

BEARING INFORMATION

DE Bearing	6316 C3
ODE Bearing	6313 C3
Grease Type	SKF LGHP 2
DE Regreasing Interval	3000 Hours
ODE Regreasing Interval	4500 Hours

ADDITIONAL DATA

F2 Suitable	Yes
Shaft Material	1045 Carbon Steel
Connection Diagram	230 / 460 V - 12 Lead Δ
Approximate Weight	1045 lbs.

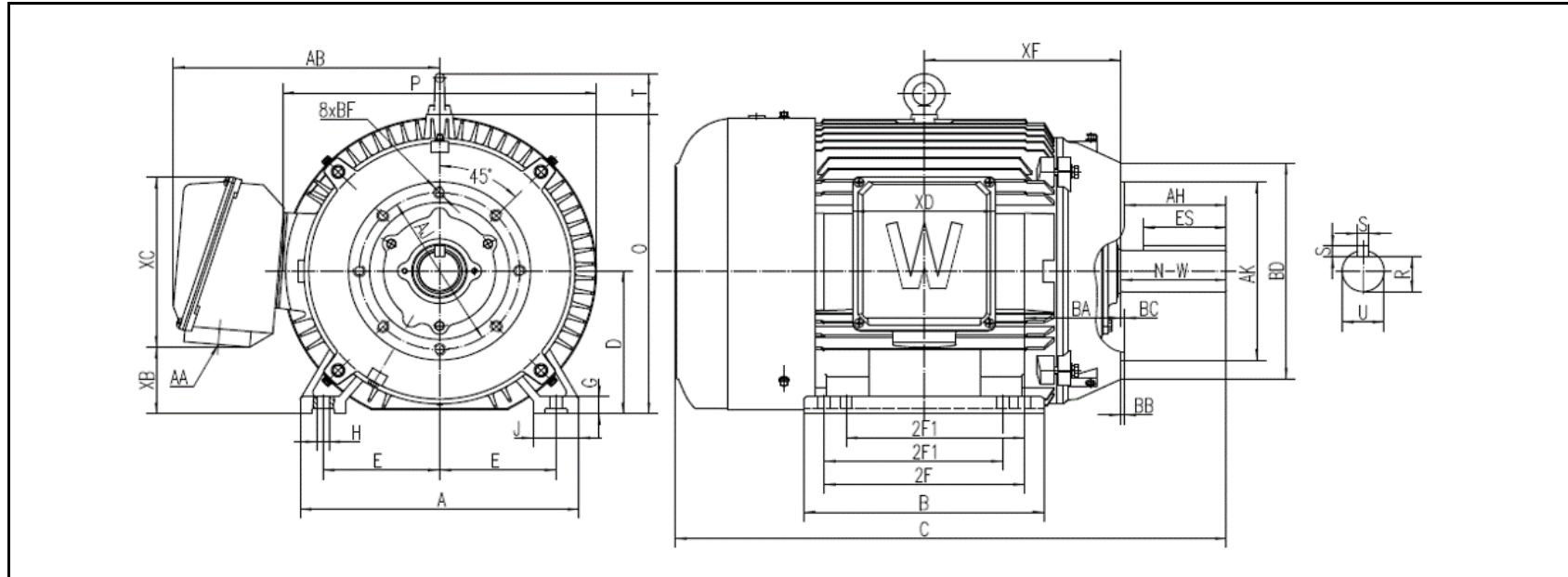
MOTOR DRAWING

Premium Efficiency Motor: **PEWWE75-12-405TC**

WorldWide Electric Corporation

1 (800) 808-2131

Worldwideelectric.net



DIMENSION - INCHES

MOUNTING					A	B	C	D	G	J	P	O	T	AB
E	2F1	2F	H	BA										
8	12.25	13.75	0.81	6.62	19.136	16.535	37.815	10	1.181	3.15	21.535	21.024	2.835	18.264

SHAFT & KEY					
S	ES	R	N-W	AH	U
0.75	5.65	2.45	7.25	7	2.875

TERMINAL BOX				
AA	XB	XC	XD	XF
3	4.659	11.933	9.764	13.494

FLANGE					
AJ	AK	BB	BD	BF	BC
11	12.5	0.25	15.157	5/8-11	0.25

PERFORMANCE CURVES

WorldWide Electric Corporation

1 (800) 808-2131

Worldwideelectric.net



Premium Efficiency Motor:

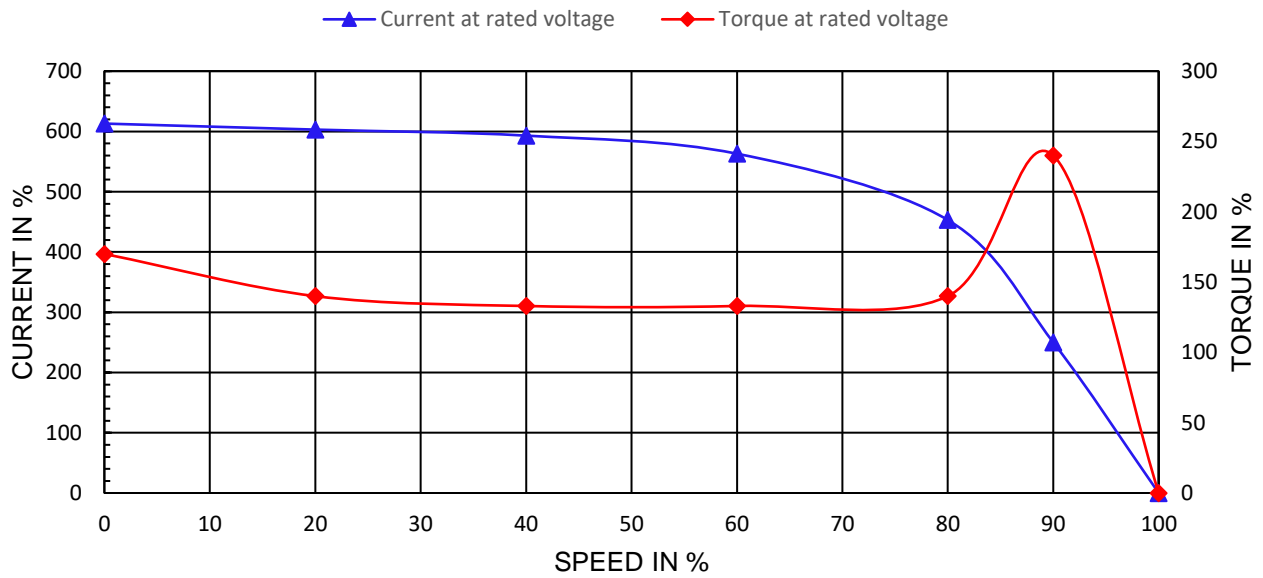
PEWWE75-12-405TC

Document Generated: 1-Aug-2023
Document ID:

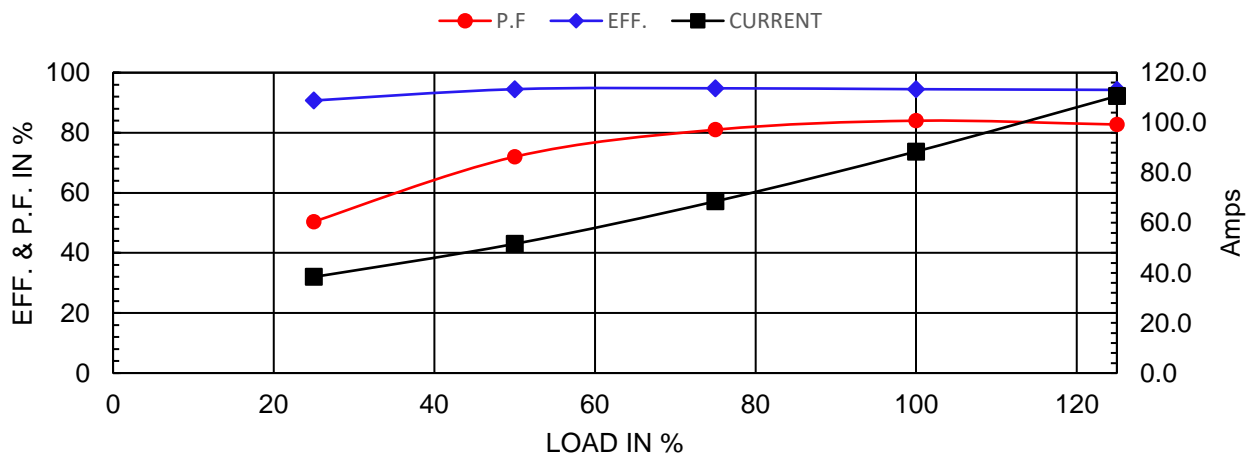
Customer:

Motor Type	PEWWE			FL Speed	1190		
Output Rating (HP)	75			LRT (%FLT)	170	460 volt FLA	88.5
Full Load Torque	331	lb.ft		BDT (%FLT)	240	230 volt FLA	177
Rotor Wk^2	36	lb-ft^2					

SPEED VS TORQUE & CURRENT CURVE



OUTPUT VS EFF., P.F. & CURRENT CURVE



NAMEPLATE / WIRING

Premium Efficiency Motor: **PEWWE75-12-405TC**

WorldWide Electric Corporation

1 (800) 808-2131

Worldwideelectric.net



Document Generated: 1-Aug-2023
Document ID:

Customer:

SAMPLE NAMEPLATE DATA

		NEMA Premium		3-PHASE INDUCTION MOTOR		259277 		CC006A
Model			Ser No.			Low Voltage 6 4 5 7 8 9 12 10 11 1 2 3 L1 L2 L3		
HP		S.F.		IP		Encl		
Frame		P.F.		Code		Type		
Voltage	230/460	Hz		Ins Cl		Rating	°C Amb Cont	
Amps		RPM		Design		Date		
Nom.Eff.	FL	% 3/4	%	230/460V	10:1 CT	20:1 VT	PWM	VFD 1.0SF
				DE Brng				
Class I DIV. 2 Groups A B C D		Amb.40°C		ODE Brng				
Class I Zone 2 IIC		Amb.55°C		Grease type: LGHP 2 (compatible with polyrex)		High Voltage 4 5 6 7 8 9 12 10 11 1 2 3 L1 L2 L3		
50Hz		HP		V		A	rpm	1.0SF
WorldWide Electric Corporation								

Model	PEWWE75-12-405TC								
HP	75	S.F.	1.25	IP	IP55	Encl	TEFC		
Frame	405TC	P.F.	0.84	Code	G	Type			
Voltage	230/460 V	Hz	60 Hz	Ins Cl	F	Ambient	40°C		
Amps	177/88.5	RPM	1190	Design	B	DE Brng	6316 C3		
Nom.Eff.	FL	94.5%	3/4	94.8%		ODE Brng	6313 C3		
Class 1 Division 2 Groups A,B,C,D						T3A(180°C)	Grease type: SKF LGHP 2		
50Hz		75 HP	200/400 V	207/103	A	990 rpm			