

# DATA SHEET

Premium Efficiency Motor: **PEWWE75-36-365TS-IB**

**60 Hz**

WorldWide Electric Corporation

1 (800) 808-2131

Worldwideelectric.net



Document Generated: 31-Jul-2023  
Document ID:

Customer:

MOTOR INFORMATION	
HP	75
RPM	3600
Phase	3
Frequency	60Hz
Voltage	230/460 V
Frame Size	365TS
Enclosure	TEFC
Degree of Protection	IP55
Service Factor	1.25
Poles	2
Full Load Speed	3560
Insulation Class	F
Temp Rise	80°C
NEMA Code Letter	G
Duty Cycle	S1 / Continuous
Slip	1.10%
NEMA Design	B
Moment of Inertia	8.6 lb.ft.^2
Locked Rotor Time (Hot)	13 seconds
Sound Pressure Level	78 dB(A)
Number of Starts	2 Cold/ 1 Hot
Max Ambient Temperature	40°C
Max Elevation	1000 m.a.s.l (3300 f.a.s.l)
Mounting	F1
Rotation	Bi-Directional
Area of Classification	Class 1 Division 2 Groups A,B,C,D T3A(180°C)
Inverter Rating	10:1 CT / 20:1 VT PWM Type
Standard	NEMA MG-1
Approvals	CSA-US, CE

EFFICIENCY/POWER FACTOR		
LOAD	EFF	P. F.
100%	93.6 %	0.85
75%	93.6 %	0.83
50%	92.9 %	0.77

TORQUE		
FULL LOAD	LRT	BDT
111 lb.ft.	195 %	230 %

AMPERAGE INFORMATION		
	230V	460V
Full Load Amps	177A	88.3A
Locked Rotor Amps	1085A	542.5A
No Load Current	49A	24.5A
Usable at 208V	195A	

BEARING INFORMATION	
DE Bearing	6313 C3
ODE Bearing	6312 M/C3
Grease Type	SKF LGHP 2
DE Regreasing Interval	1800 Hours
ODE Regreasing Interval	2400 Hours

ADDITIONAL DATA	
F2 Suitable	Yes
Shaft Material	1045 Carbon Steel
Connection Diagram	230 / 460 V - 12 Lead Δ
Approximate Weight	787 lbs.

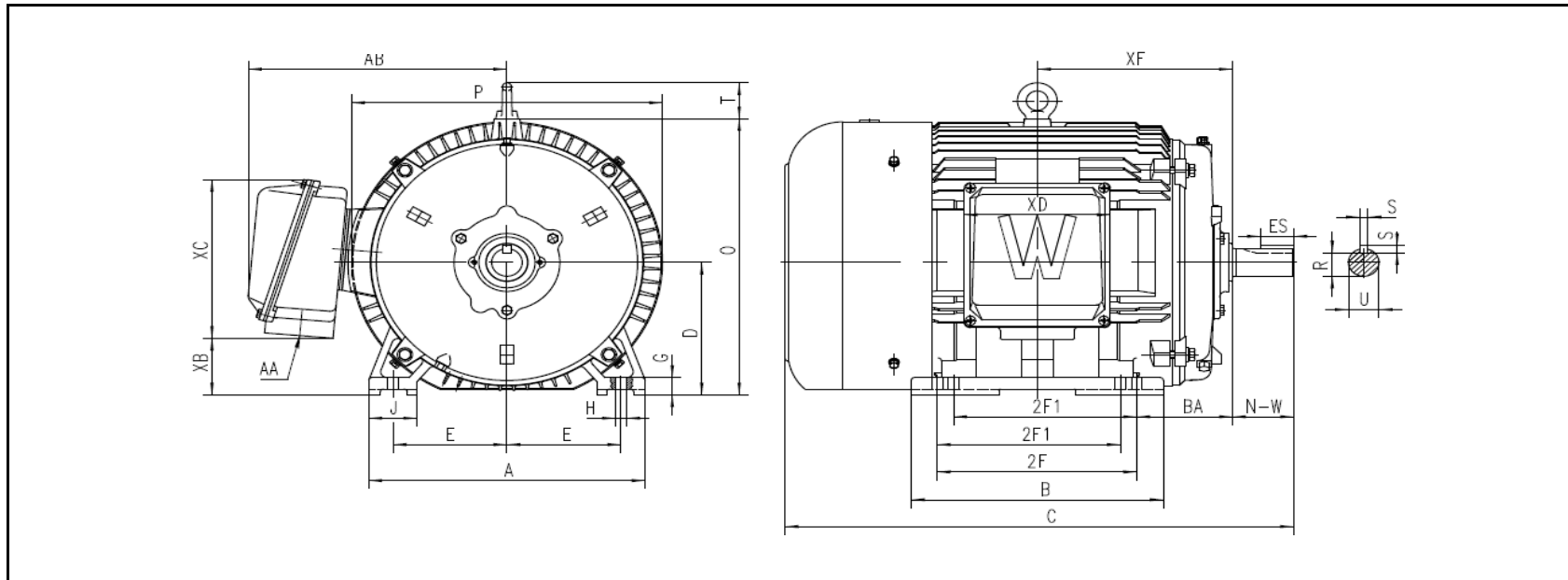
# MOTOR DRAWING

Premium Efficiency Motor: **PEWWE75-36-365TS-IB**

WorldWide Electric Corporation

1 (800) 808-2131

Worldwideelectric.net



## DIMENSION - INCHES

MOUNTING					A	B	C	D	G	J	P	O	T	AB
E	2F1	2F	H	BA										
7	11.25	12.25	0.66	5.88	16.969	15.472	31.23	9	1.181	2.953	19.091	18.8	2.441	15.899

SHAFT & KEY				
S	ES	R	N-W	U
0.5	2.03	1.591	3.75	1.875

TERMINAL BOX				
AA	XB	XC	XD	XF
3	3.849	10.783	8.976	11.988

# PERFORMANCE CURVES

WorldWide Electric Corporation

1 (800) 808-2131

Worldwideelectric.net



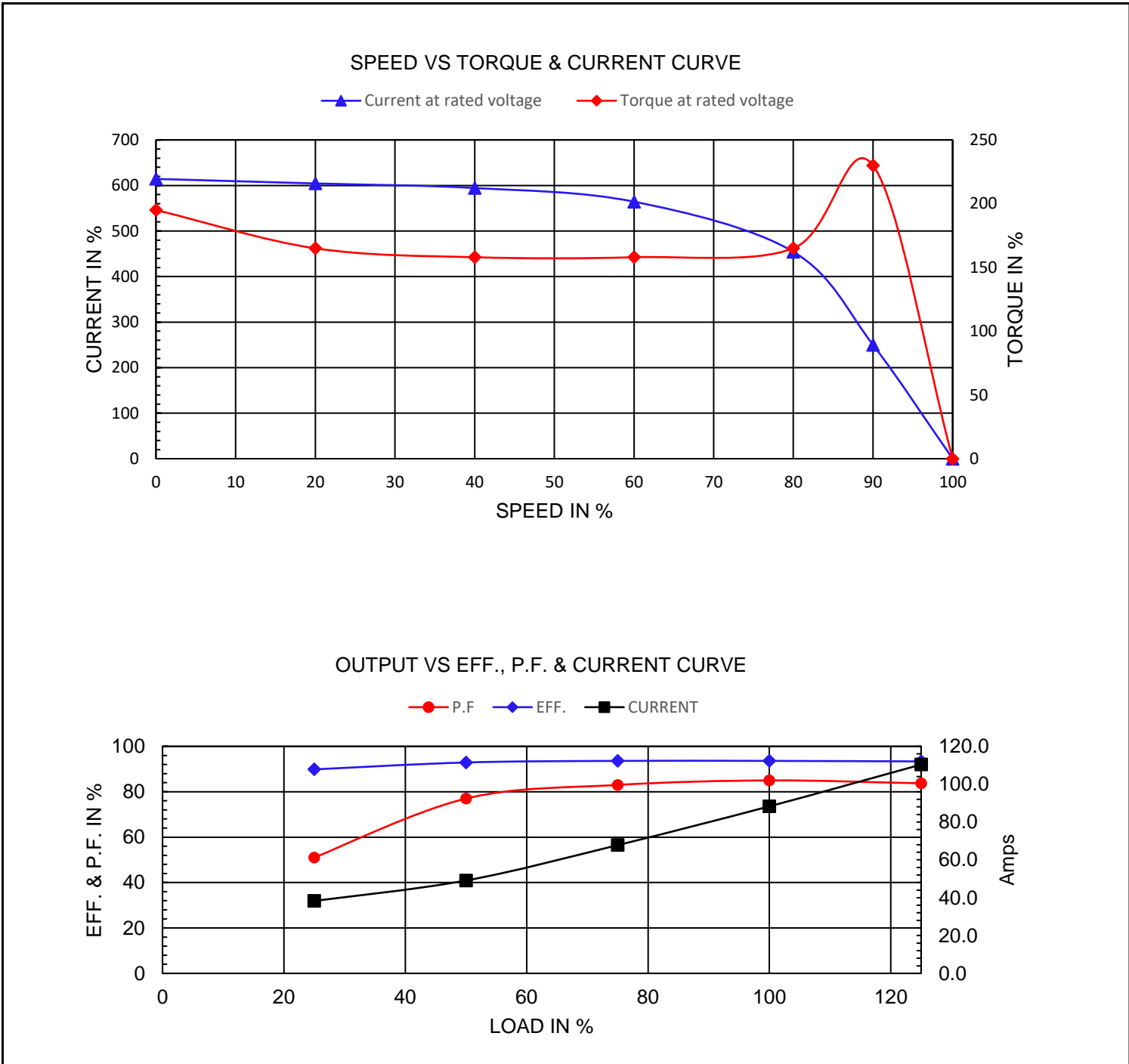
Premium Efficiency Motor:

**PEWWE75-36-365TS-IB**

Document Generated: 31-Jul-2023  
 Document ID:

Customer:

Motor Type	PEWWE				
Output Rating (HP)	75	FL Speed	3560		
Full Load Torque	111 lb.ft	LRT (%FLT)	195	460 volt FLA	88.3 A
Rotor Wk <sup>2</sup>	8.6 lb-ft <sup>2</sup>	BDT (%FLT)	230	230 volt FLA	177 A



# NAMEPLATE / WIRING

WorldWide Electric Corporation

1 (800) 808-2131

Worldwideelectric.net



Premium Efficiency Motor:

**PEWWE75-36-365TS-IB**

Document Generated: 31-Jul-2023  
Document ID:

Customer:

## SAMPLE NAMEPLATE DATA

		<b>NEMA Premium</b>		<b>3-PHASE INDUCTION MOTOR</b>		259277			CC006A
Model		Ser No.							
HP		S.F.		IP		Encl		<b>Low Voltage</b> 6 4 5 7 8 9 12 10 11 1 2 3 L1 L2 L3	
Frame		P.F.		Code		Type			
Voltage	230/460	Hz		Ins Cl		Rating	°C Amb Cont		
Amps		RPM		Design		Date			
Nom.Eff.	FL	% 3/4	% 230/460 V	10:1 CT	20:1 VT	PWM	VFD	1.0SF	
				DE Brng					
Class I DIV. 2 Groups A B C D		Amb.40°C		ODE Brng					
Class I Zone 2 IIC		Amb.55°C		Grease type: LGHP 2 (compatible with polyrex)					
								<b>High Voltage</b> 4 5 6 7 8 9 12 10 11 1 2 3 L1 L2 L3	
50Hz	HP	V	A	rpm	1.0SF				
<b>WorldWide Electric Corporation</b>									

Model	PEWWE75-36-365TS-IB									
HP	75	S.F.	1.25	IP	IP55	Encl	TEFC			
Frame	365TS	P.F.	0.85	Code	G	Type				
Voltage	230/460 V	Hz	60Hz	Ins Cl	F	Ambient	40°C			
Amps	177/88.3	RPM	3560	Design	B	DE Brng 6313 C3				
Nom.Eff.	FL	93.6%	3/4	93.6%	ODE Brng 6312 M/C3					
Class 1 Division 2 Groups A,B,C,D						T3A(180°C)				Grease type: SKF LGHP 2
50Hz	75 HP	200/400 V	204/102	A	2960 rpm					