

# DATA SHEET

Premium Efficiency Motor: **SSPE1-18-143JM,**

**60 Hz**

WorldWide Electric Corporation

1 (800) 808-2131

Worldwideelectric.net



Document Generated: 14-Mar-2023  
Document ID:

Customer:

MOTOR INFORMATION	
HP	1
RPM	1800
Phase	3
Frequency	60
Voltage	230/460
Frame Size	143JM
Enclosure	TEFC
Degree of Protection	IP69K
Service Factor	1.15
Poles	4
Full Load Speed	1750
Insulation Class	F
Temp Rise	80°C
NEMA Code Letter	N
Duty Cycle	S1
Slip	2.78%
NEMA Design	B
Moment of Inertia	0.1 lb.ft.²
Locked Rotor Time (Hot)	12 seconds
Sound Pressure Level	61 dB(A)
Number of Starts	2 Cold / 1 Hot
Max Ambient Temperature	40° C
Max Elevation	1000 m.a.s.l (3300 f.a.s.l)
Mounting	F1
Rotation	Bidirectional
Area of Classification	Div.2 Class I, Gr. A,B,C&D T2B
Inverter Rating	10:1 CT/20:1 VT
Standard	NEMA MG1, UL1004
Approvals	CSA,UL,CE

EFFICIENCY/POWER FACTOR		
LOAD	EFF	P. F.
100%	85.5 %	0.75
75%	78.0 %	0.6
50%	74.0 %	0.46

TORQUE		
FULL LOAD	LRT	BDT
3 lb.ft.	285 %	300 %

AMPERAGE INFORMATION		
	230V	460V
Full Load Amps	2.9	1.45
Locked Rotor Amps	30	15
No Load Current	2.5	1.25
Usable at 208V		3

BEARING INFORMATION	
DE Bearing	6206 2RS
ODE Bearing	6205 2RS
Grease Type	Mobil Polyrex EM

ADDITIONAL DATA	
F2 Suitable	No
Shaft Material	304 Stainless Steel
Connection Diagram	9 Lead 2Y/Y
Approximate Weight	36 lbs.

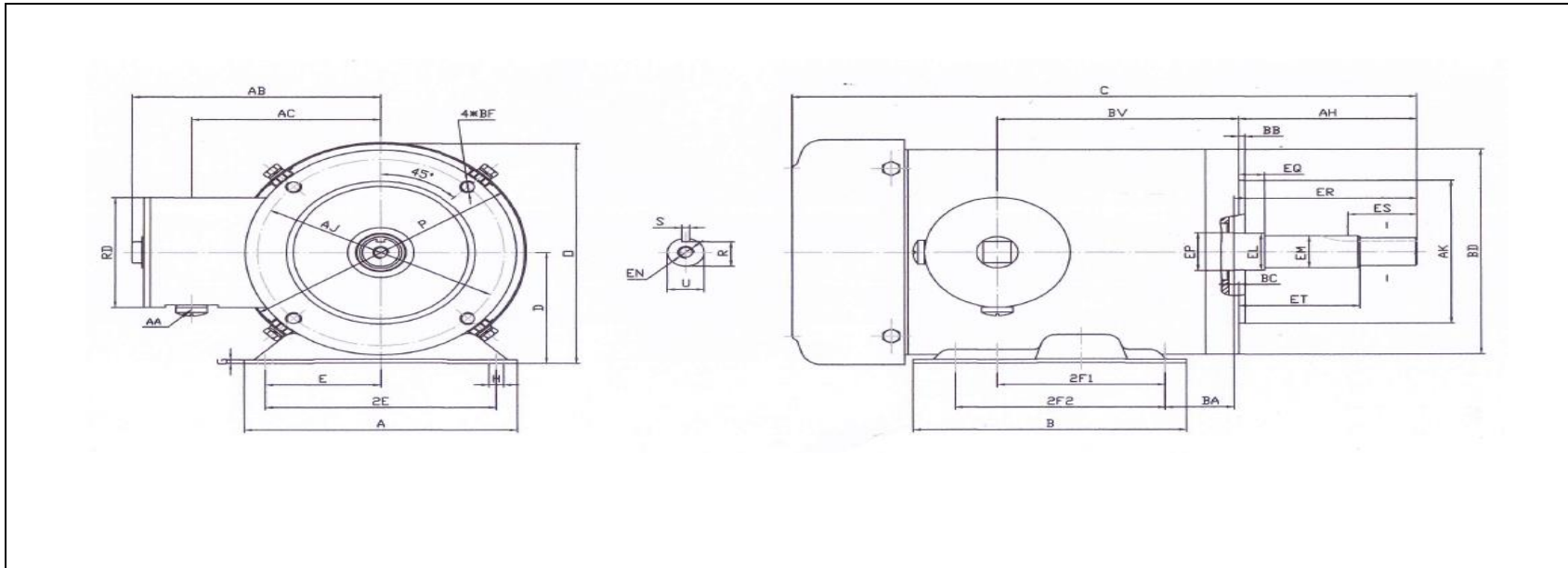
# MOTOR DRAWING

Premium Efficiency Motor: **SSPE1-18-143JM**

WorldWide Electric Corporation

1 (800) 808-2131

Worldwideelectric.net



## DIMENSION - INCHES

MOUNTING					A	B	C	D	G	P	O	T
E	2F1	2F2	H	BA								
2.75	4	5	0.35	2.75	6.5	6.5	16.06	3.5	0.118	6.95	6.98	--

SHAFT & KEY											
S	ES	R	AH	EQ	ET	EM	EL	EP	ER	EN	U
0.19	1.65	0.771	4.281	0.64	2.89	1	1.156	1.81	4.25	3/8-16	0.8745

FLANGE					
AK	BD	AJ	BF	BB	BC
4.5	6.45	5.875	4*3/8-16	0.156	0.12

TERMINAL BOX				
AA	AB	AC	RD	BV
1/2 NPT	5.95	4.5	3.45	6.95

# PERFORMANCE CURVES

Premium Efficiency Motor:

**SSPE1-18-143JM**

WorldWide Electric Corporation

1 (800) 808-2131

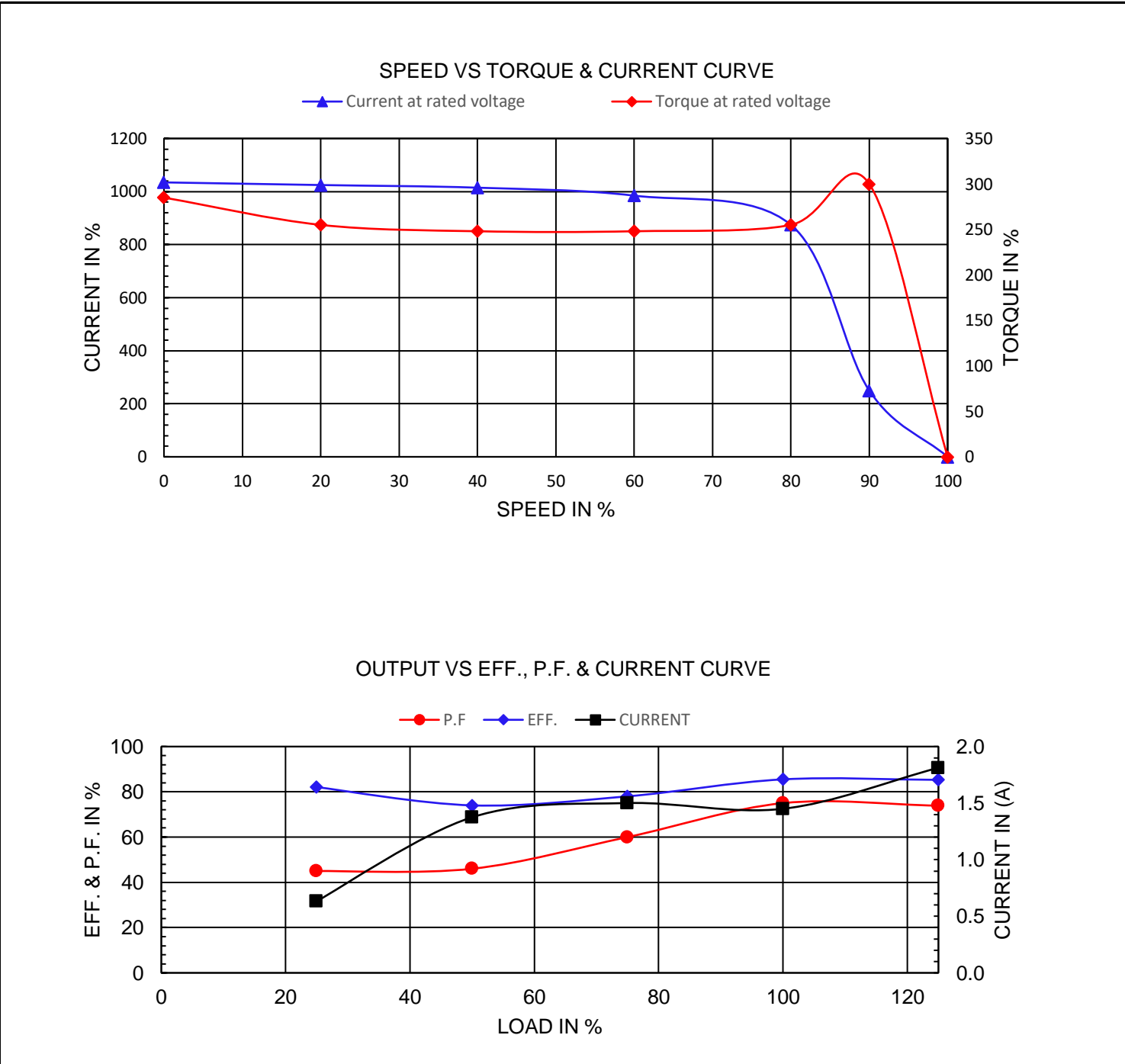
Worldwideelectric.net



Document Generated: 14-Mar-2023  
Document ID:

Customer:

Motor Type	SSPE				
Output Rating (HP)	1		FL Speed	1750	
Full Load Torque	3	lb.ft	LRT (%FLT)	285	460 volt FLA 1.45
Rotor Wk <sup>2</sup>	0.1	lb-ft <sup>2</sup>	BDT (%FLT)	300	230 volt FLA 2.9



# NAMEPLATE / WIRING

Premium Efficiency Motor: **SSPE1-18-143JM**

WorldWide Electric Corporation

1 (800) 808-2131

Worldwideelectric.net



Document Generated: 14-Mar-2023	Customer:
Document ID:	

## SAMPLE NAMEPLATE DATA

		<b>THREE PHASE AC INDUCTION MOTOR</b> <b>INVERTER DUTY 20:1 VT 10:1 CT</b>							
Model		FRAME		IP 69K	LB/WT		<b>230V</b> 		
Hz 60	S. F. 1. 15	Hz 50	S. F. 1. 15	ENCL. TEFC	AMB. 40°C				
HP	RPM	HP	RPM	DUTY CONT	INS. F				
VOLTS 230/460		VOLTS 190/380		NEMA DES. B			<b>460V</b> 		
AMP		AMP		BRG DE					
CODE	P. F.	CODE	P. F.	BRG ODE					
EFF	MIN	IE3 -		NO.					
				 C 502259 US		 E517327		<b>CC082A</b>	

Model	SSPE1-18-143JM			FRAME	143JM	LB/WT	36 lbs.
Hz	60	S.F.	1.15	Hz	50	S.F.	1.15
HP	1	RPM	1750	HP	3/4	RPM	1460
VOLTS	230/460			VOLTS	190/380		
AMPS	2.9/1.45			AMPS	3/1.5		
CODE	N	P.F.	0.75	CODE	N	P.F.	0.68
EFF	85.5%	MIN	74%	IE3 -	80.8%		
BRG DE	6206 2RS						
BRG ODE	6205 2RS						