

DATA SHEET

Premium Efficiency Motor: **SSPE1.5-12-182TC,**

60 Hz

WorldWide Electric Corporation

1 (800) 808-2131

Worldwideelectric.net



Document Generated: 22-Feb-2023
Document ID:

Customer:

MOTOR INFORMATION	
HP	1.5
RPM	1200
Phase	3
Frequency	60
Voltage	230/460
Frame Size	182TC
Enclosure	TEFC
Degree of Protection	IP69K
Service Factor	1.15
Poles	6
Full Load Speed	1170
Insulation Class	F
Temp Rise	80°C
NEMA Code Letter	M
Duty Cycle	S1
Slip	2.50%
NEMA Design	B
Moment of Inertia	0.416 lb.ft.^2
Locked Rotor Time (Hot)	12 seconds
Sound Pressure Level	57 dB(A)
Number of Starts	12
Max Ambient Temperature	40° C
Max Elevation	1000 m.a.s.l (3300 f.a.s.l)
Mounting	F1
Rotation	Bidirectional
Area of Classification	Div.2 Class I, Gr. A,B,C&D T2B
Inverter Rating	10:1 CT/20:1 VT
Standard	NEMA MG1, UL1004
Approvals	CSA,UL,CE

EFFICIENCY/POWER FACTOR		
LOAD	EFF	P. F.
100%	87.5 %	0.7
75%	80.0 %	0.65
50%	76.0 %	0.58

TORQUE		
FULL LOAD	LRT	BDT
6.6 lb.ft.	255 %	270 %

AMPERAGE INFORMATION		
	230V	460V
Full Load Amps	4.9	2.45
Locked Rotor Amps	40	20
No Load Current	3.2	1.6
Usable at 208V		5

BEARING INFORMATION	
DE Bearing	6308 2RS
ODE Bearing	6306 2RS
Grease Type	Mobil Polyrex EM

ADDITIONAL DATA	
F2 Suitable	No
Shaft Material	304 Stainless Steel
Connection Diagram	9 Lead 2Y/Y
Approximate Weight	82 lbs.

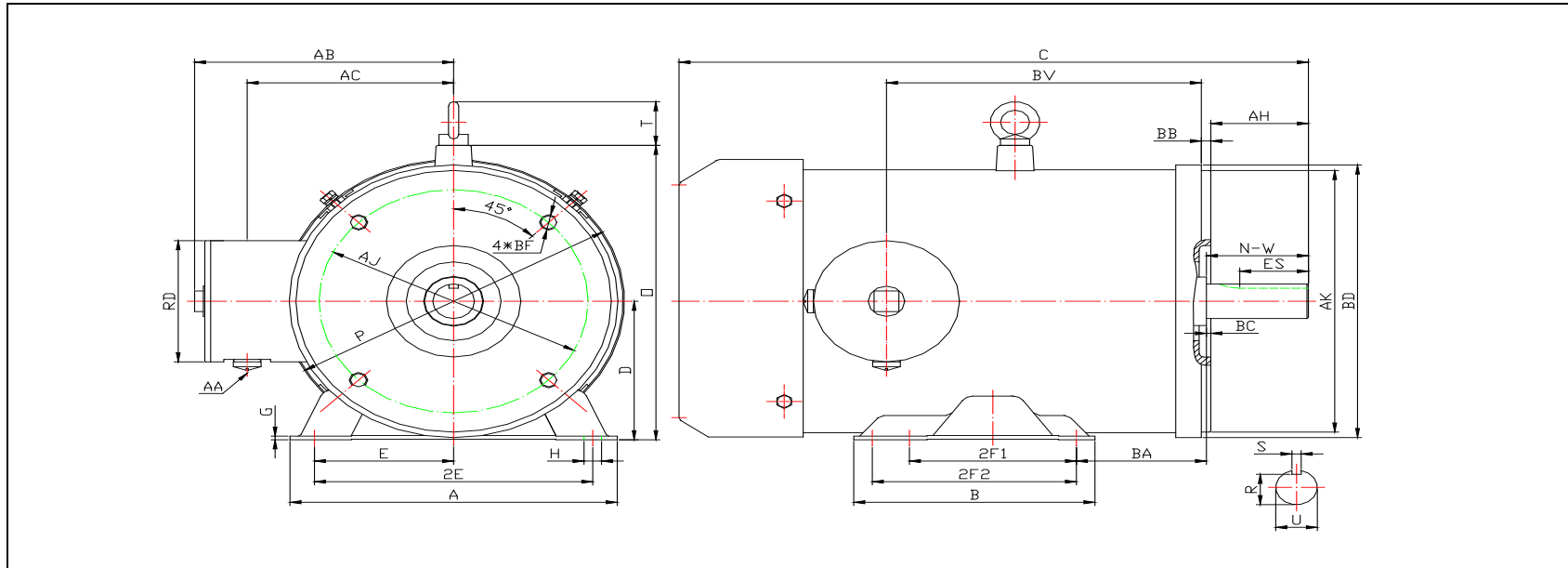
MOTOR DRAWING

Premium Efficiency Motor: **SSPE1.5-12-182TC**

WorldWide Electric Corporation

1 (800) 808-2131

Worldwideelectric.net



DIMENSION - INCHES

MOUNTING					A	B	C	D	G	P	O	T	AB
E	2F1	2F2	H	BA									
3.75	4.5	5.5	0.71*0.47	3.5	8.8	6.5	17	4.5	0.118	9.25	9.55	1.45	7

SHAFT & KEY					
S	ES	R	N-W	U	AH
0.25	1.78	0.986	2.75	1.125	2.62

TERMINAL BOX				
AA	AB	AC	RD	BV
1/2 NPT	7	5.55	3.95	8.5

FLANGE					
AK	BD	AJ	BF	BB	BC
8.5	8.85	7.25	4*1/2-13	0.25	0.12

PERFORMANCE CURVES

WorldWide Electric Corporation

1 (800) 808-2131

Worldwideelectric.net



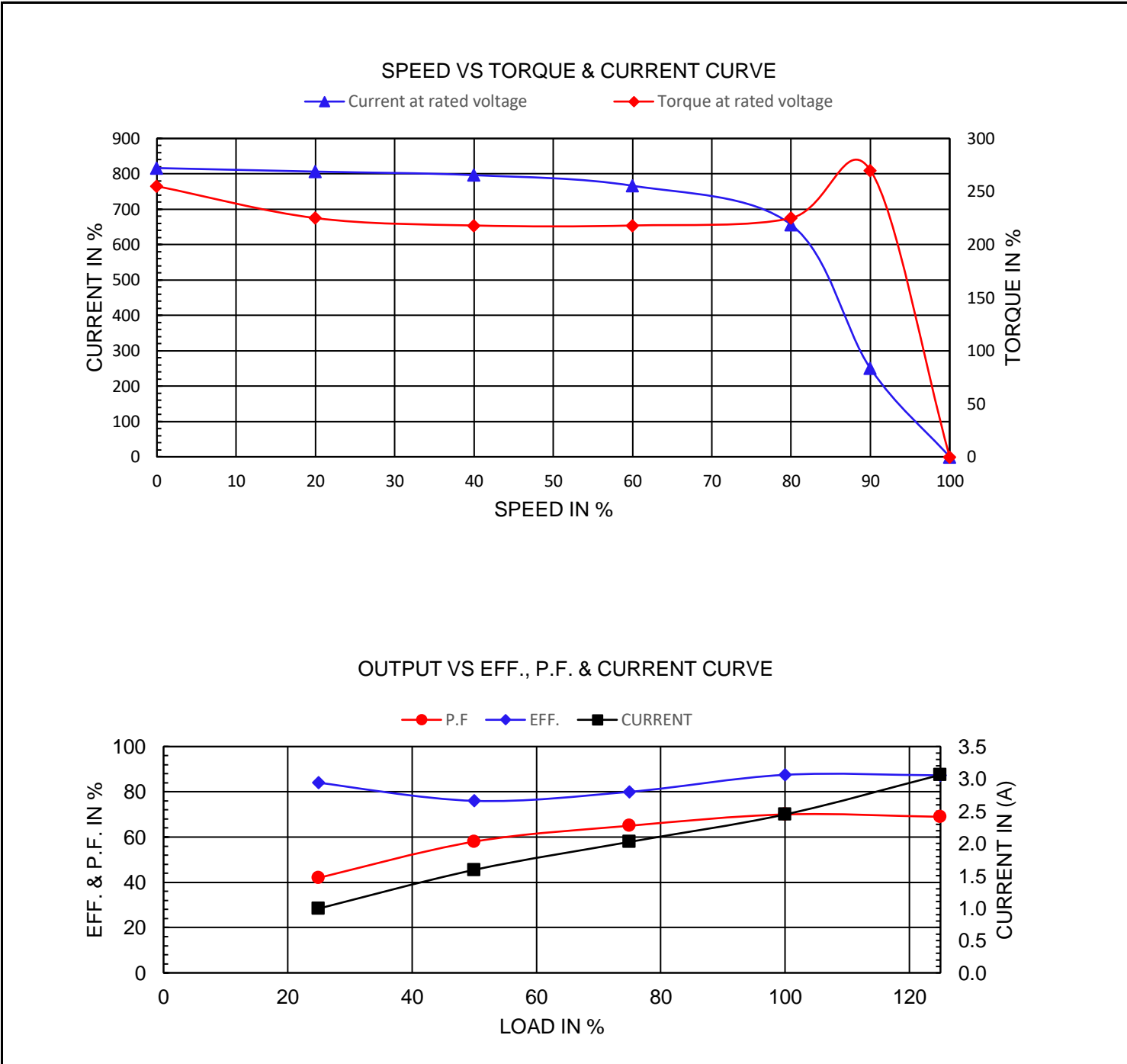
Premium Efficiency Motor:

SSPE1.5-12-182TC

Document Generated: 30-Jan-2023
Document ID:

Customer:

Motor Type	SSPE			FL Speed	1170	
Output Rating (HP)	1.5			LRT (%FLT)	255	460 volt FLA 2.45
Full Load Torque	6.6	lb.ft		BDT (%FLT)	270	230 volt FLA 4.9
Rotor Wk^2	0.416	lb-ft^2				



NAMEPLATE / WIRING

Premium Efficiency Motor: **SSPE1.5-12-182TC**

WorldWide Electric Corporation

1 (800) 808-2131

Worldwideelectric.net



Document Generated: 30-Jan-2023	Customer:
Document ID:	

SAMPLE NAMEPLATE DATA

		THREE PHASE AC INDUCTION MOTOR INVERTER DUTY 20:1 VT 10:1 CT							
Model		FRAME		IP 69K	LB/WT		230V 		
Hz 60	S. F. 1.15	Hz 50	S. F. 1.15	ENCL. TEFC	AMB. 40°C				
HP	RPM	HP	RPM	DUTY CONT	INS. F				
VOLTS 230/460		VOLTS 190/380		NEMA DES. B			460V 		
AMP		AMP		BRG DE					
CODE	P. F.	CODE	P. F.	BRG ODE					
EFF	MIN	IE3 -		NO.					
				 C 502259 US		 E517327		CC082A	

Model	SSPE1.5-12-182TC			FRAME	182TC	LB/WT	82 lbs.
Hz	60	S.F.	1.15	Hz	50	S.F.	1.15
HP	1.5	RPM	1170	HP	1	RPM	980
VOLTS	230/460			VOLTS	190/380		
AMPS	4.9/2.45			AMPS	4.0/2.0		
CODE	M	P.F.	0.7	CODE	N	P.F.	0.70
EFF	87.5%	MIN	76%	IE3 -	78.9%		
BRG DE	6308 2RS						
BRG ODE	6306 2RS						