

DATA SHEET

Premium Efficiency Motor: **SSPE1.5-18-145JM,**

60 Hz

WorldWide Electric Corporation

1 (800) 808-2131

Worldwideelectric.net



Document Generated: 14-Mar-2023
Document ID:

Customer:

MOTOR INFORMATION	
HP	1.5
RPM	1800
Phase	3
Frequency	60
Voltage	230/460
Frame Size	145JM
Enclosure	TEFC
Degree of Protection	IP69K
Service Factor	1.15
Poles	4
Full Load Speed	1750
Insulation Class	F
Temp Rise	80°C
NEMA Code Letter	M
Duty Cycle	S1
Slip	2.78%
NEMA Design	B
Moment of Inertia	0.138 lb.ft.^2
Locked Rotor Time (Hot)	12 seconds
Sound Pressure Level	61 dB(A)
Number of Starts	2 Cold / 1 Hot
Max Ambient Temperature	40° C
Max Elevation	1000 m.a.s.l (3300 f.a.s.l)
Mounting	F1
Rotation	Bidirectional
Area of Classification	Div.2 Class I, Gr. A,B,C&D T2B
Inverter Rating	10:1 CT/20:1 VT
Standard	NEMA MG1, UL1004
Approvals	CSA,UL,CE

EFFICIENCY/POWER FACTOR		
LOAD	EFF	P. F.
100%	86.5 %	0.75
75%	83.0 %	0.61
50%	79.0 %	0.5

TORQUE		
FULL LOAD	LRT	BDT
4.4 lb.ft.	285 %	300 %

AMPERAGE INFORMATION		
	230V	460V
Full Load Amps	4	2
Locked Rotor Amps	40	20
No Load Current	3	1.5
Usable at 208V		4

BEARING INFORMATION	
DE Bearing	6206 2RS
ODE Bearing	6205 2RS
Grease Type	Mobil Polyrex EM

ADDITIONAL DATA	
F2 Suitable	No
Shaft Material	304 Stainless Steel
Connection Diagram	9 Lead 2Y/Y
Approximate Weight	42 lbs.

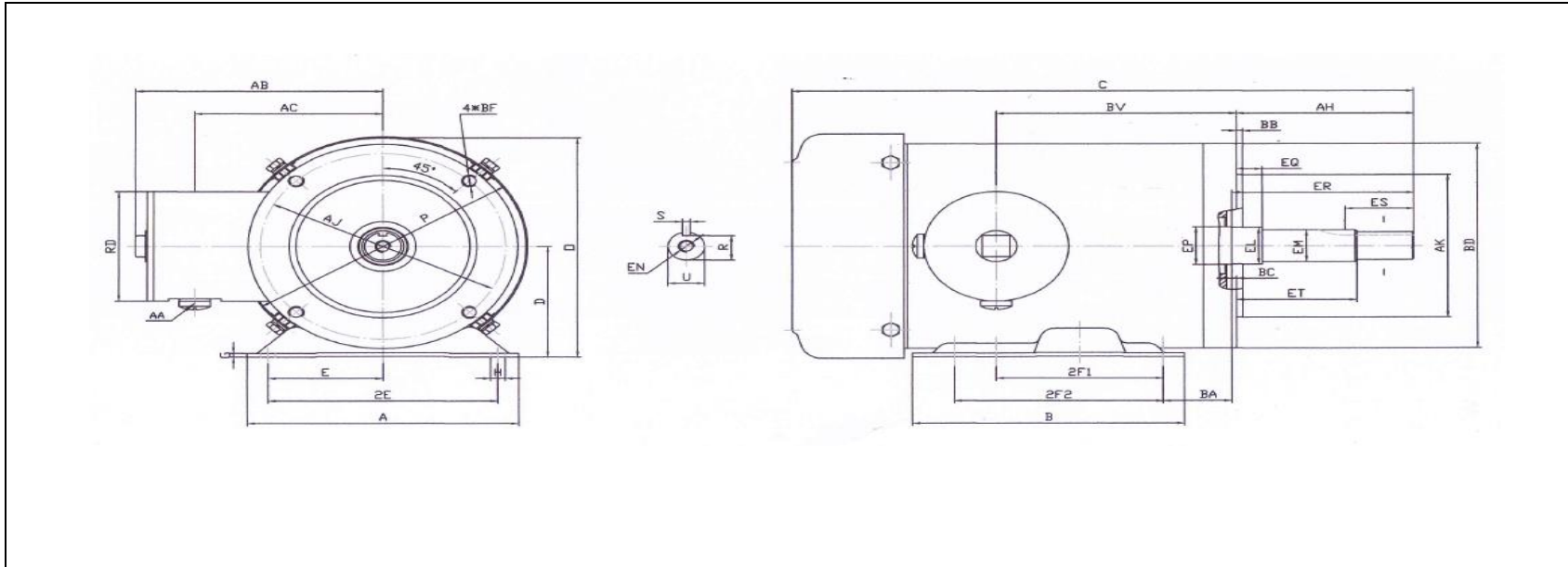
MOTOR DRAWING

Premium Efficiency Motor: **SSPE1.5-18-145JM**

WorldWide Electric Corporation

1 (800) 808-2131

Worldwideelectric.net



DIMENSION - INCHES

MOUNTING					A	B	C	D	G	P	O	T
E	2F1	2F2	H	BA								
2.75	3	5	0.35	2.75	6.5	6.5	14.88	3.5	0.118	6.95	6.98	--

SHAFT & KEY											
S	ES	R	AH	EQ	ET	EM	EL	EP	ER	EN	U
0.19	1.65	0.771	4.281	0.64	2.89	1	1.156	1.81	4.25	3/8-16	0.8745

FLANGE					
AK	BD	AJ	BF	BB	BC
4.5	6.45	5.875	4*3/8-16	0.156	0.12

TERMINAL BOX				
AA	AB	AC	RD	BV
1/2 NPT	5.95	4.5	3.45	5.75

PERFORMANCE CURVES

WorldWide Electric Corporation

1 (800) 808-2131

Worldwideelectric.net

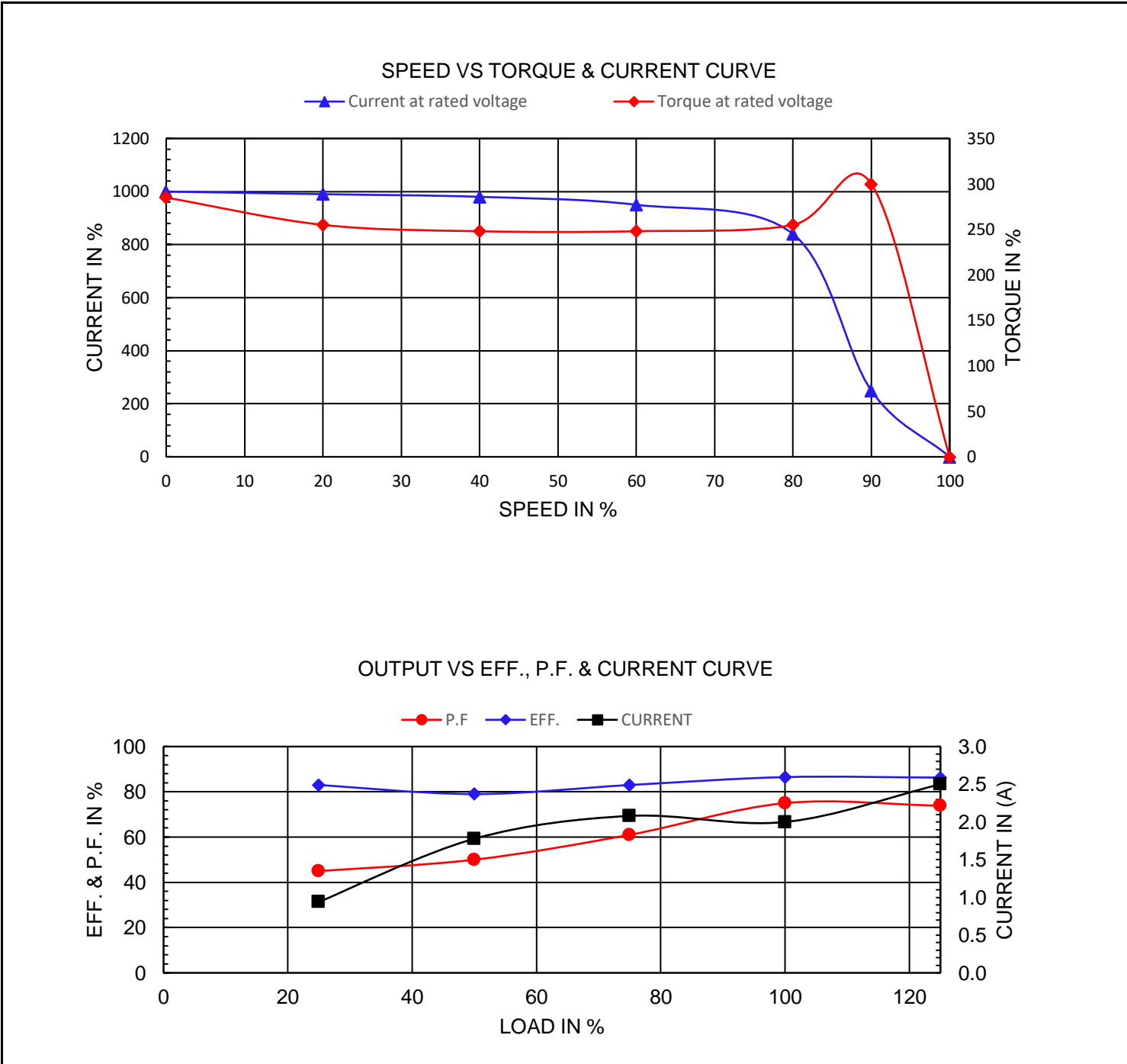


Premium Efficiency Motor:

SSPE1.5-18-145JM

Document Generated: 14-Mar-2023	Customer:
Document ID:	

Motor Type	SSPE			FL Speed	1750		
Output Rating (HP)	1.5			LRT (%FLT)	285	460 volt FLA	2
Full Load Torque	4.4	lb.ft		BDT (%FLT)	300	230 volt FLA	4
Rotor Wk ²	0.138	lb-ft ²					



NAMEPLATE / WIRING

Premium Efficiency Motor: **SSPE1.5-18-145JM**

WorldWide Electric Corporation

1 (800) 808-2131

Worldwideelectric.net



Document Generated: 14-Mar-2023	Customer:
Document ID:	

SAMPLE NAMEPLATE DATA

		THREE PHASE AC INDUCTION MOTOR INVERTER DUTY 20:1 VT 10:1 CT							
Model		FRAME		IP 69K	LB/WT		230V 		
Hz 60	S. F. 1.15	Hz 50	S. F. 1.15	ENCL. TEFC	AMB. 40°C				
HP	RPM	HP	RPM	DUTY CONT	INS. F				
VOLTS 230/460		VOLTS 190/380		NEMA DES. B			460V 		
AMP		AMP		BRG DE					
CODE	P. F.	CODE	P. F.	BRG ODE					
EFF	MIN	IE3 -		NO.					
				 C 502259 US		 E517327		CC082A	

Model	SSPE1.5-18-145JM			FRAME	145JM	LB/WT	42 lbs.
Hz	60	S.F.	1.15	Hz	50	S.F.	1.15
HP	1.5	RPM	1750	HP	1	RPM	1460
VOLTS	230/460			VOLTS	190/380		
AMPS	4/2			AMPS	4.0/2.0		
CODE	M	P.F.	0.75	CODE	N	P.F.	0.68
EFF	86.5%	MIN	79%	IE3 -	82.5%		
BRG DE	6206 2RS						
BRG ODE	6205 2RS						