

DATA SHEET

Premium Efficiency Motor: **SSPE1.5-36-143JM,**

60 Hz

WorldWide Electric Corporation

1 (800) 808-2131

Worldwideelectric.net



Document Generated: 14-Mar-2023
Document ID:

Customer:

| MOTOR INFORMATION | |
|-------------------------|--------------------------------|
| HP | 1.5 |
| RPM | 3600 |
| Phase | 3 |
| Frequency | 60 |
| Voltage | 230/460 |
| Frame Size | 143JM |
| Enclosure | TEFC |
| Degree of Protection | IP69K |
| Service Factor | 1.15 |
| Poles | 2 |
| Full Load Speed | 3480 |
| Insulation Class | F |
| Temp Rise | 80°C |
| NEMA Code Letter | M |
| Duty Cycle | S1 |
| Slip | 3.33% |
| NEMA Design | B |
| Moment of Inertia | 0.072 lb.ft.^2 |
| Locked Rotor Time (Hot) | 12 seconds |
| Sound Pressure Level | 76 dB(A) |
| Number of Starts | 2 Cold / 1 Hot |
| Max Ambient Temperature | 40° C |
| Max Elevation | 1000 m.a.s.l (3300 f.a.s.l) |
| Mounting | F1 |
| Rotation | Bidirectional |
| Area of Classification | Div.2 Class I, Gr. A,B,C&D T2B |
| Inverter Rating | 10:1 CT/20:1 VT |
| Standard | NEMA MG1, UL1004 |
| Approvals | CSA,UL,CE |

| EFFICIENCY/POWER FACTOR | | |
|-------------------------|--------|-------|
| LOAD | EFF | P. F. |
| 100% | 84.0 % | 0.91 |
| 75% | 78.0 % | 0.82 |
| 50% | 74.0 % | 0.73 |

| TORQUE | | |
|------------|-------|-------|
| FULL LOAD | LRT | BDT |
| 2.3 lb.ft. | 285 % | 300 % |

| AMPERAGE INFORMATION | | |
|----------------------|------|------|
| | 230V | 460V |
| Full Load Amps | 4 | 2 |
| Locked Rotor Amps | 40 | 20 |
| No Load Current | 1.6 | 0.8 |
| Usable at 208V | | 4 |

| BEARING INFORMATION | |
|---------------------|------------------|
| DE Bearing | 6206 2RS |
| ODE Bearing | 6205 2RS |
| Grease Type | Mobil Polyrex EM |

| ADDITIONAL DATA | |
|--------------------|---------------------|
| F2 Suitable | No |
| Shaft Material | 304 Stainless Steel |
| Connection Diagram | 9 Lead 2Y/Y |
| Approximate Weight | 39 lbs. |

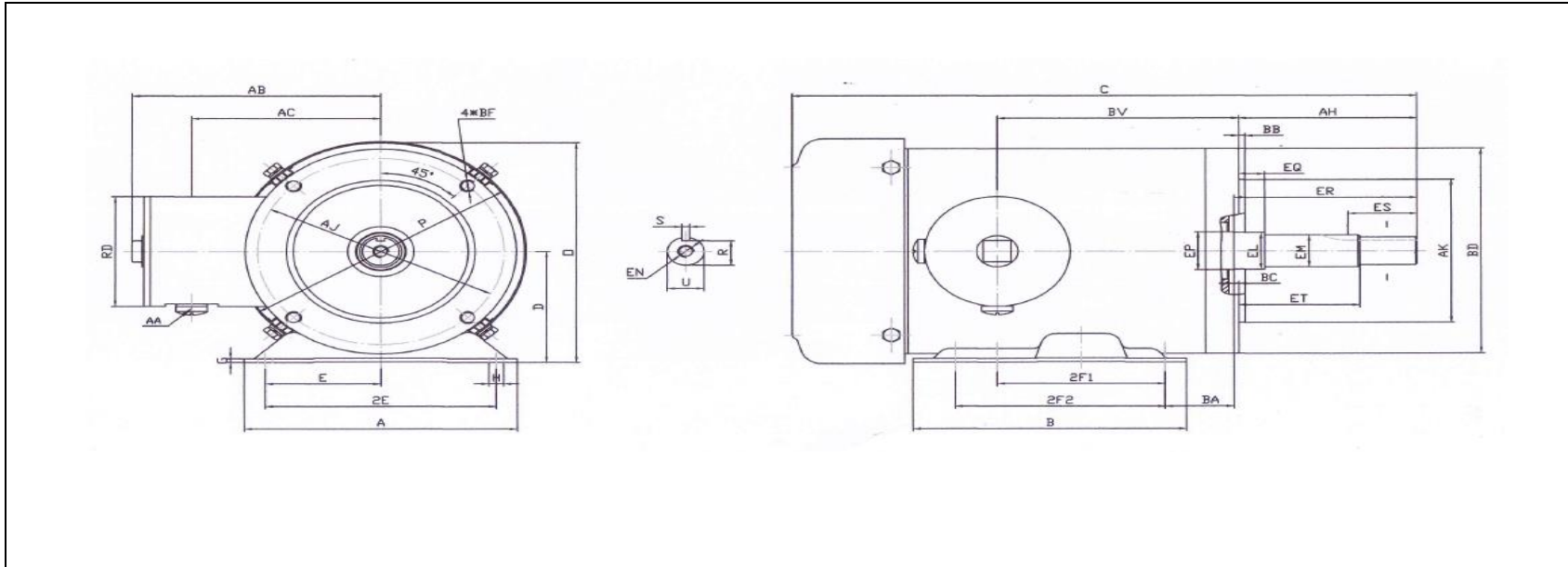
MOTOR DRAWING

Premium Efficiency Motor: **SSPE1.5-36-143JM**

WorldWide Electric Corporation

1 (800) 808-2131

Worldwideelectric.net



DIMENSION - INCHES

| MOUNTING | | | | | A | B | C | D | G | P | O | T |
|----------|-----|-----|------|------|-----|-----|-------|-----|-------|------|------|----|
| E | 2F1 | 2F2 | H | BA | | | | | | | | |
| 2.75 | 4 | 5 | 0.35 | 2.75 | 6.5 | 6.5 | 16.06 | 3.5 | 0.118 | 6.95 | 6.98 | -- |

| SHAFT & KEY | | | | | | | | | | | |
|-------------|------|-------|-------|------|------|----|-------|------|------|--------|--------|
| S | ES | R | AH | EQ | ET | EM | EL | EP | ER | EN | U |
| 0.19 | 1.65 | 0.771 | 4.281 | 0.64 | 2.89 | 1 | 1.156 | 1.81 | 4.25 | 3/8-16 | 0.8745 |

| FLANGE | | | | | |
|--------|------|-------|----------|-------|------|
| AK | BD | AJ | BF | BB | BC |
| 4.5 | 6.45 | 5.875 | 4*3/8-16 | 0.156 | 0.12 |

| TERMINAL BOX | | | | |
|--------------|------|-----|------|------|
| AA | AB | AC | RD | BV |
| 1/2 NPT | 5.95 | 4.5 | 3.45 | 6.95 |

PERFORMANCE CURVES

Premium Efficiency Motor:

SSPE1.5-36-143JM

WorldWide Electric Corporation

1 (800) 808-2131

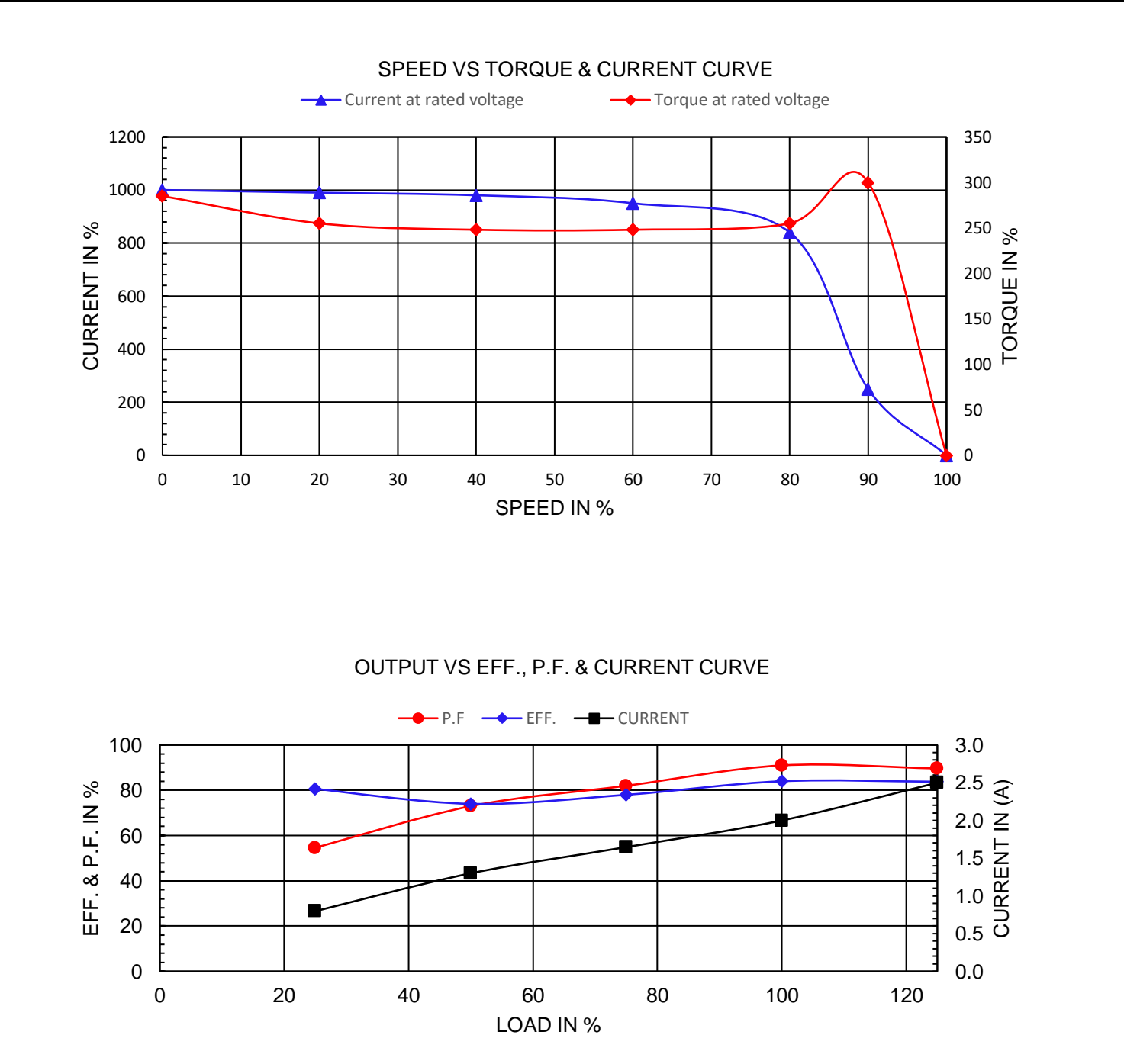
Worldwideelectric.net



Document Generated: 14-Mar-2023
Document ID:

Customer:

| | | | | | |
|-----------------------|--------------------------|------------|------|--------------|---|
| Motor Type | SSPE | | | | |
| Output Rating (HP) | 1.5 | FL Speed | 3480 | | |
| Full Load Torque | 2.3 lb.ft | LRT (%FLT) | 285 | 460 volt FLA | 2 |
| Rotor Wk ² | 0.072 lb-ft ² | BDT (%FLT) | 300 | 230 volt FLA | 4 |



NAMEPLATE / WIRING

Premium Efficiency Motor: **SSPE1.5-36-143JM**

WorldWide Electric Corporation

1 (800) 808-2131

Worldwideelectric.net



Document Generated: 14-Mar-2023
Document ID:

Customer:

SAMPLE NAMEPLATE DATA

| | | | | | | | | | |
|---------------|------------|---|------------|-----------------|-----------|-------------|-----------------|---------------|--|
| | | THREE PHASE AC INDUCTION MOTOR INVERTER DUTY 20:1 VT 10:1 CT | | | | | | | |
| Model | | FRAME | | IP 69K | LB/WT | | 230V | | |
| Hz 60 | S. F. 1.15 | Hz 50 | S. F. 1.15 | ENCL. TEFC | AMB. 40°C | | | | |
| HP | RPM | HP | RPM | DUTY CONT | INS. F | | | | |
| VOLTS 230/460 | | VOLTS 190/380 | | NEMA DES. B | | | 460V | | |
| AMP | | AMP | | BRG DE | | | | | |
| CODE | P. F. | CODE | P. F. | BRG ODE | | | | | |
| EFF | MIN | IE3 - | | NO. | | | | | |
| | | | | C 502259 US | | E517327 | | CC082A | |

| | | | | | | | |
|---------|------------------|------|------|-------|----------|-------|---------|
| Model | SSPE1.5-36-143JM | | | FRAME | 143JM | LB/WT | 39 lbs. |
| Hz | 60 | S.F. | 1.15 | Hz | 50 | S.F. | 1.15 |
| HP | 1.5 | RPM | 3480 | HP | 1 | RPM | 2900 |
| VOLTS | 230/460 | | | VOLTS | 190/380 | | |
| AMPS | 4/2 | | | AMPS | 3.3/1.65 | | |
| CODE | M | P.F. | 0.91 | CODE | N | P.F. | 0.85 |
| EFF | 84% | MIN | 74% | IE3 - | 80.7% | | |
| BRG DE | 6206 2RS | | | | | | |
| BRG ODE | 6205 2RS | | | | | | |