

# DATA SHEET

Premium Efficiency Motor: **SSPE15-36-254JM,**

**60 Hz**

WorldWide Electric Corporation

1 (800) 808-2131

Worldwideelectric.net



Document Generated: 14-Mar-2023  
Document ID:

Customer:

MOTOR INFORMATION	
HP	15
RPM	3600
Phase	3
Frequency	60
Voltage	230/460
Frame Size	254JM
Enclosure	TEFC
Degree of Protection	IP69K
Service Factor	1.15
Poles	2
Full Load Speed	3540
Insulation Class	F
Temp Rise	80°C
NEMA Code Letter	G
Duty Cycle	S1
Slip	1.67%
NEMA Design	B
Moment of Inertia	0.94 lb.ft.^2
Locked Rotor Time (Hot)	12 seconds
Sound Pressure Level	74 dB(A)
Number of Starts	2 Cold / 1 Hot
Max Ambient Temperature	40° C
Max Elevation	1000 m.a.s.l (3300 f.a.s.l)
Mounting	F1
Rotation	Bidirectional
Area of Classification	Div.2 Class I, Gr. A,B,C&D T2B
Inverter Rating	10:1 CT/20:1 VT
Standard	NEMA MG1, UL1004
Approvals	CSA,UL,CE

EFFICIENCY/POWER FACTOR		
LOAD	EFF	P. F.
100%	91.0 %	0.9
75%	90.5 %	0.85
50%	90.0 %	0.76

TORQUE		
FULL LOAD	LRT	BDT
22 lb.ft.	200 %	260 %

AMPERAGE INFORMATION		
	230V	460V
Full Load Amps	37	18.5
Locked Rotor Amps	232	116
No Load Current	11	5.5
Usable at 208V		40

BEARING INFORMATION	
DE Bearing	6309 2RS
ODE Bearing	6309 2RS
Grease Type	Mobil Polyrex EM

ADDITIONAL DATA	
F2 Suitable	No
Shaft Material	304 Stainless Steel
Connection Diagram	12 Lead 2Δ/Δ
Approximate Weight	363 lbs.

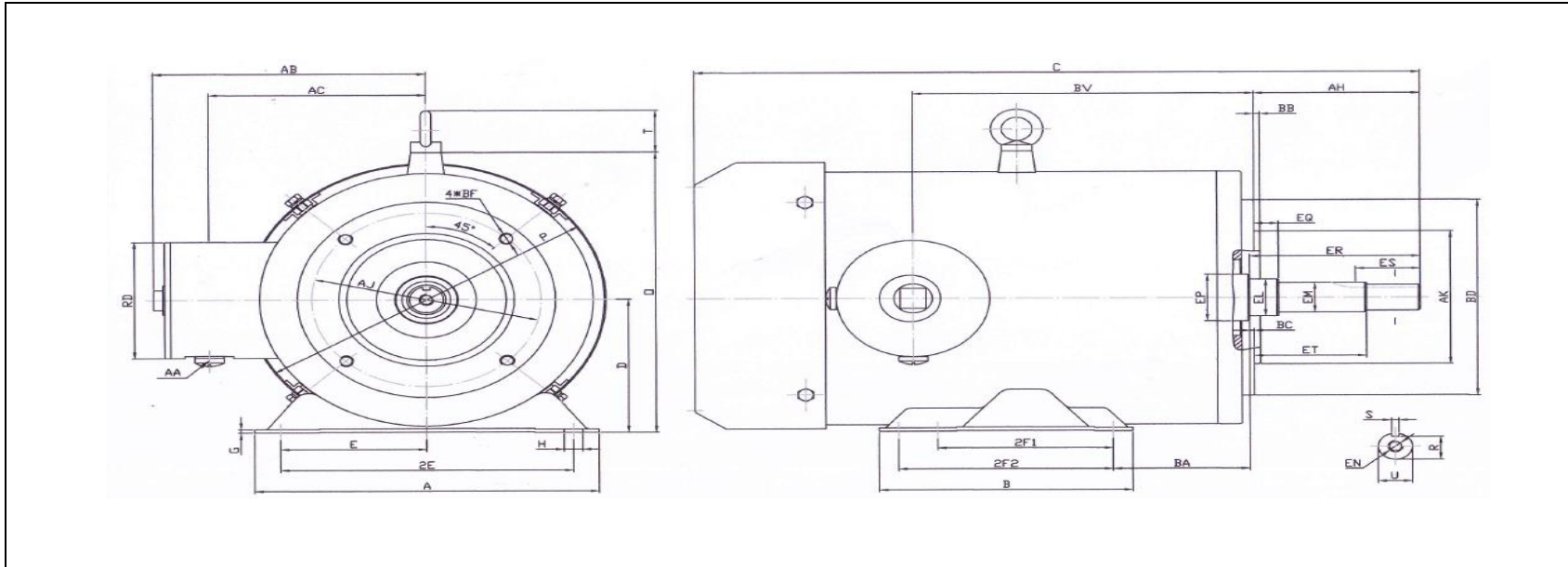
# MOTOR DRAWING

Premium Efficiency Motor: **SSPE15-36-254JM**

WorldWide Electric Corporation

1 (800) 808-2131

Worldwideelectric.net



## DIMENSION - INCHES

MOUNTING					A	B	C	D	G	P	O	T
E	2F1	2F2	H	BA								
5	8.25	--	0.53	4.75	11.2	9.5	24.7	6.25	0.475	12.7	13.1	2.1

SHAFT & KEY											
S	ES	R	AH	EQ	ET	EM	EL	EP	ER	EN	U
0.252	2.53	1.112	5.281	0.64	3.015	1.375	1.75	1.77	5.5	1/2-13	1.2495

FLANGE					
AK	BD	AJ	BF	BB	BC
8.5	10	7.25	4/1/2-13	0.25	0.25

TERMINAL BOX				
AA	AB	AC	RD	BV
3/4 NPT	8.9	7.25	5.12	12.65

# PERFORMANCE CURVES

Premium Efficiency Motor:

**SSPE15-36-254JM**

WorldWide Electric Corporation

1 (800) 808-2131

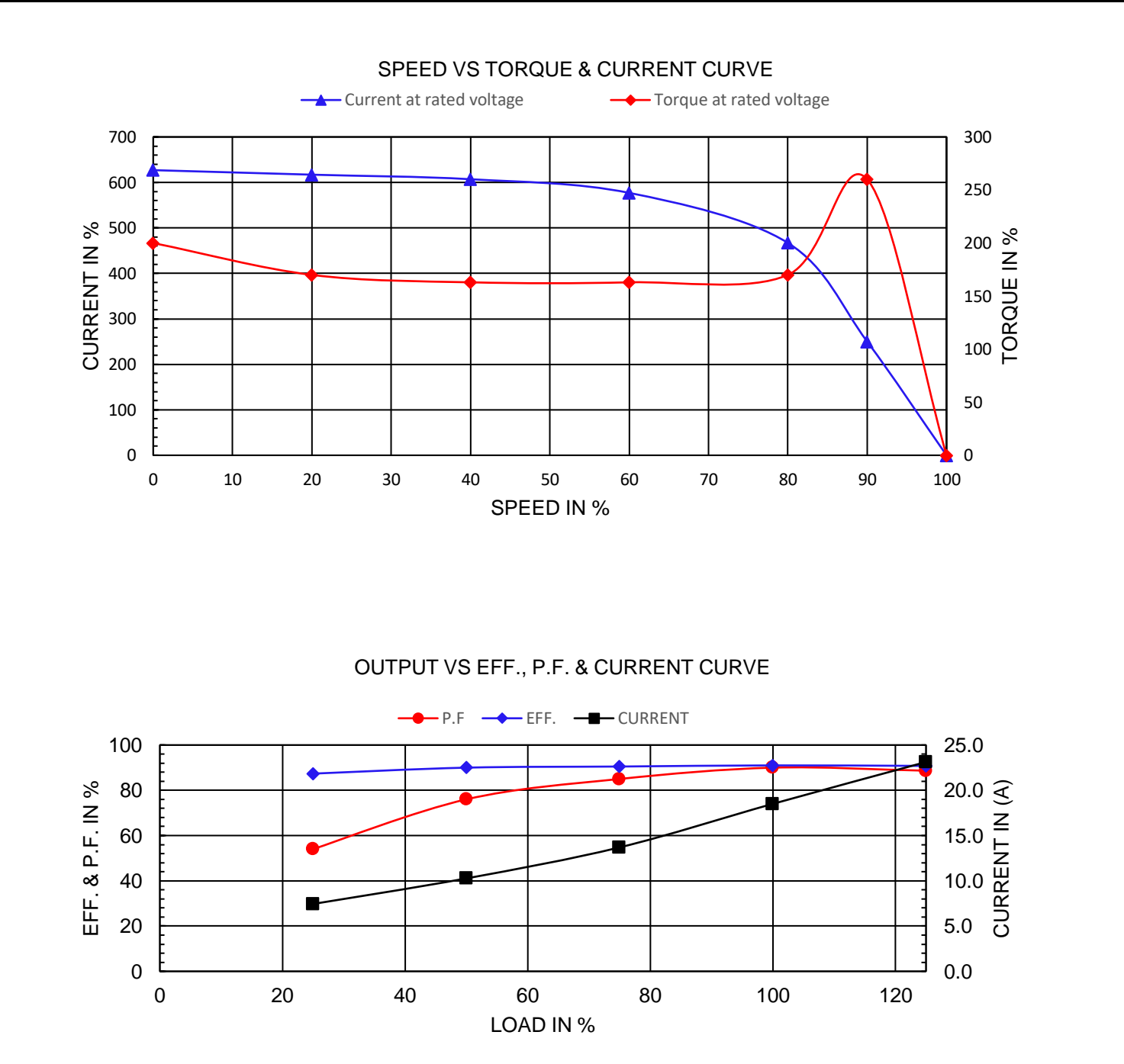
Worldwideelectric.net



Document Generated: 14-Mar-2023  
Document ID:

Customer:

Motor Type	SSPE				
Output Rating (HP)	15	FL Speed	3540		
Full Load Torque	22 lb.ft	LRT (%FLT)	200	460 volt FLA	18.5
Rotor Wk <sup>2</sup>	0.94 lb-ft <sup>2</sup>	BDT (%FLT)	260	230 volt FLA	37



# NAMEPLATE / WIRING

Premium Efficiency Motor: **SSPE15-36-254JM**

WorldWide Electric Corporation

1 (800) 808-2131

Worldwideelectric.net



Document Generated: 14-Mar-2023	Customer:
Document ID:	

## SAMPLE NAMEPLATE DATA

		<b>THREE PHASE AC INDUCTION MOTOR</b> <b>INVERTER DUTY 20:1 VT 10:1 CT</b>					
Model .		FRAME		IP 69K	LB/WT		
Hz 60	S. F. 1.15	Hz 50	S. F. 1.15	ENCL. TEFC	AMB. 40°C		
HP	RPM	HP	RPM	DUTY CONT	INS. F		
VOLTS 230/460		VOLTS 190/380		NEMA DES. B			
AMP		AMP		BRG DE			
CODE	P. F.	CODE	P. F.	BRG ODE			
EFF	MIN	IE3 -		NO.			
				602259 US		E517327	
<b>CC082A</b>							

Model	SSPE15-36-254JM			FRAME	254JM	LB/WT	363 lbs.
Hz	60	S.F.	1.15	Hz	50	S.F.	1.15
HP	15	RPM	3540	HP	10	RPM	2950
VOLTS	230/460			VOLTS	190/380		
AMPS	37/18.5			AMPS	30.0/15.0		
CODE	G	P.F.	0.9	CODE	J	P.F.	0.82
EFF	91%	MIN	90%	IE3 -	90.1%		
BRG DE	6309 2RS						
BRG ODE	6309 2RS						