

DATA SHEET

Premium Efficiency Motor: **SSPE15-36-254TC,**

60 Hz

WorldWide Electric Corporation

1 (800) 808-2131

Worldwideelectric.net



Document Generated: 22-Feb-2023
Document ID:

Customer:

| MOTOR INFORMATION | |
|-------------------------|--------------------------------|
| HP | 15 |
| RPM | 3600 |
| Phase | 3 |
| Frequency | 60 |
| Voltage | 230/460 |
| Frame Size | 254TC |
| Enclosure | TEFC |
| Degree of Protection | IP69K |
| Service Factor | 1.15 |
| Poles | 2 |
| Full Load Speed | 3540 |
| Insulation Class | F |
| Temp Rise | 80°C |
| NEMA Code Letter | G |
| Duty Cycle | S1 |
| Slip | 1.67% |
| NEMA Design | B |
| Moment of Inertia | 0.94 lb.ft.^2 |
| Locked Rotor Time (Hot) | 12 seconds |
| Sound Pressure Level | 74 dB(A) |
| Number of Starts | 10 |
| Max Ambient Temperature | 40° C |
| Max Elevation | 1000 m.a.s.l (3300 f.a.s.l) |
| Mounting | F1 |
| Rotation | Bidirectional |
| Area of Classification | Div.2 Class I, Gr. A,B,C&D T2B |
| Inverter Rating | 10:1 CT/20:1 VT |
| Standard | NEMA MG1, UL1004 |
| Approvals | CSA,UL,CE |

| EFFICIENCY/POWER FACTOR | | |
|-------------------------|--------|-------|
| LOAD | EFF | P. F. |
| 100% | 91.0 % | 0.9 |
| 75% | 90.5 % | 0.85 |
| 50% | 90.0 % | 0.76 |

| TORQUE | | |
|-----------|-------|-------|
| FULL LOAD | LRT | BDT |
| 22 lb.ft. | 200 % | 260 % |

| AMPERAGE INFORMATION | | |
|----------------------|------|------|
| | 230V | 460V |
| Full Load Amps | 37 | 18.5 |
| Locked Rotor Amps | 232 | 116 |
| No Load Current | 9 | 4.5 |
| Usable at 208V | | 40 |

| BEARING INFORMATION | |
|---------------------|------------------|
| DE Bearing | 6309 2RS |
| ODE Bearing | 6309 2RS |
| Grease Type | Mobil Polyrex EM |

| ADDITIONAL DATA | |
|--------------------|---------------------|
| F2 Suitable | No |
| Shaft Material | 304 Stainless Steel |
| Connection Diagram | 12 Lead 2Δ/Δ |
| Approximate Weight | 363 lbs. |

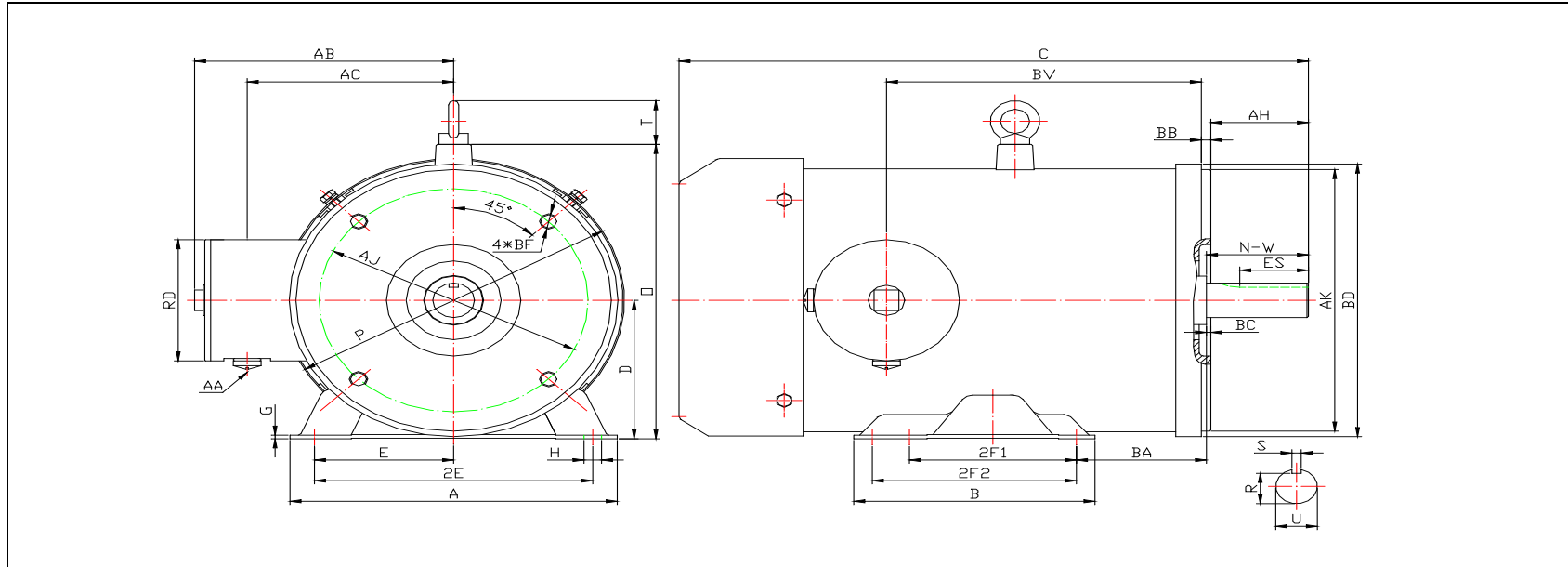
MOTOR DRAWING

Premium Efficiency Motor: **SSPE15-36-254TC**

WorldWide Electric Corporation

1 (800) 808-2131

Worldwideelectric.net



DIMENSION - INCHES

| MOUNTING | | | | | A | B | C | D | G | P | O | T | AB |
|----------|------|-----|------|------|------|-----|------|------|-------|------|-------|------|-----|
| E | 2F1 | 2F2 | H | BA | | | | | | | | | |
| 5 | 8.25 | N/A | 0.53 | 4.75 | 11.2 | 9.5 | 23.2 | 6.25 | 0.475 | 12.6 | 12.89 | 2.05 | 8.9 |

| SHAFT & KEY | | | | | |
|-------------|------|-------|-----|-------|------|
| S | ES | R | N-W | U | AH |
| 0.375 | 2.91 | 1.416 | 4 | 1.625 | 3.75 |

| TERMINAL BOX | | | | |
|--------------|-----|------|------|-------|
| AA | AB | AC | RD | BV |
| 3/4 NPT | 8.9 | 7.25 | 5.12 | 12.65 |

| FLANGE | | | | | |
|--------|-------|------|----------|------|------|
| AK | BD | AJ | BF | BB | BC |
| 8.5 | 11.72 | 7.25 | 4/1/2-13 | 0.25 | 0.25 |

PERFORMANCE CURVES

WorldWide Electric Corporation

1 (800) 808-2131

Worldwideelectric.net

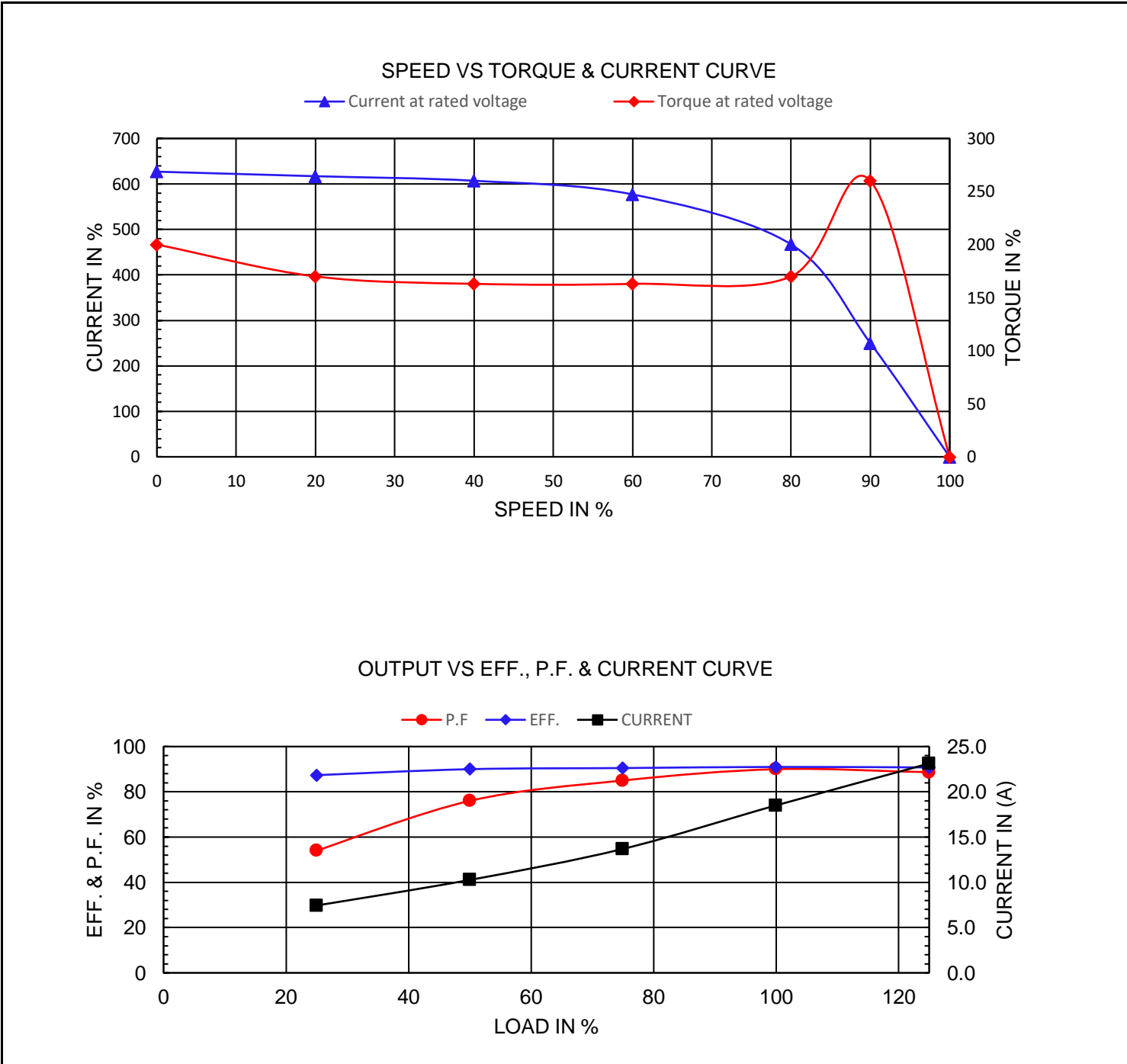


Premium Efficiency Motor:

SSPE15-36-254TC

| | |
|---------------------------------|-----------|
| Document Generated: 30-Jan-2023 | Customer: |
| Document ID: | |

| | | | | | |
|--------------------|--------------|------------|------|--------------|------|
| Motor Type | SSPE | | | | |
| Output Rating (HP) | 15 | FL Speed | 3540 | | |
| Full Load Torque | 22 lb.ft | LRT (%FLT) | 200 | 460 volt FLA | 18.5 |
| Rotor Wk^2 | 0.94 lb-ft^2 | BDT (%FLT) | 260 | 230 volt FLA | 37 |



NAMEPLATE / WIRING

WorldWide Electric Corporation

1 (800) 808-2131

Worldwideelectric.net



Premium Efficiency Motor: **SSPE15-36-254TC**

Document Generated: 30-Jan-2023
Document ID:

Customer:

SAMPLE NAMEPLATE DATA

| | | | | | | | |
|---------------|------------|---|------------|-------------|-----------|---------|--|
| | | THREE PHASE AC INDUCTION MOTOR INVERTER DUTY 20:1 VT 10:1 CT | | | | | |
| Model . | | FRAME | | IP 69K | LB/WT | | |
| Hz 60 | S. F. 1.15 | Hz 50 | S. F. 1.15 | ENCL. TEFC | AMB. 40°C | | |
| HP | RPM | HP | RPM | DUTY CONT | INS. F | | |
| VOLTS 230/460 | | VOLTS 190/380 | | NEMA DES. B | | | |
| AMP | | AMP | | BRG DE | | | |
| CODE | P. F. | CODE | P. F. | BRG ODE | | | |
| EFF | MIN | IE3 - | | NO. | | | |
| | | | | | | | |
| | | | | 602259 US | | E517327 | |
| CC082A | | | | | | | |

| | | | | | | | |
|---------|-----------------|------|------|-------|-----------|-------|----------|
| Model | SSPE15-36-254TC | | | FRAME | 254TC | LB/WT | 363 lbs. |
| Hz | 60 | S.F. | 1.15 | Hz | 50 | S.F. | 1.15 |
| HP | 15 | RPM | 3540 | HP | 10 | RPM | 2950 |
| VOLTS | 230/460 | | | VOLTS | 190/380 | | |
| AMPS | 37/18.5 | | | AMPS | 30.0/15.0 | | |
| CODE | G | P.F. | 0.9 | CODE | J | P.F. | 0.82 |
| EFF | 91% | MIN | 90% | IE3 - | 90.1% | | |
| BRG DE | 6309 2RS | | | | | | |
| BRG ODE | 6309 2RS | | | | | | |