

DATA SHEET

Premium Efficiency Motor: **SSPE2-18-56C,**

60 Hz

WorldWide Electric Corporation

1 (800) 808-2131

Worldwideelectric.net



Document Generated: 22-Feb-2023
Document ID:

Customer:

MOTOR INFORMATION	
HP	2
RPM	1800
Phase	3
Frequency	60
Voltage	230/460
Frame Size	56C
Enclosure	TEFC
Degree of Protection	IP69K
Service Factor	1.15
Poles	4
Full Load Speed	1750
Insulation Class	F
Temp Rise	80°C
NEMA Code Letter	L
Duty Cycle	S1
Slip	2.78%
NEMA Design	B
Moment of Inertia	0.184 lb.ft.^2
Locked Rotor Time (Hot)	12 seconds
Sound Pressure Level	61 dB(A)
Number of Starts	12
Max Ambient Temperature	40° C
Max Elevation	1000 m.a.s.l (3300 f.a.s.l)
Mounting	F1
Rotation	Bidirectional
Area of Classification	Div.2 Class I, Gr. A,B,C&D T2B
Inverter Rating	10:1 CT/20:1 VT
Standard	NEMA MG1, UL1004
Approvals	CSA,UL,CE

EFFICIENCY/POWER FACTOR		
LOAD	EFF	P. F.
100%	86.5 %	0.78
75%	83.0 %	0.66
50%	80.0 %	0.52

TORQUE		
FULL LOAD	LRT	BDT
5.9 lb.ft.	285 %	300 %

AMPERAGE INFORMATION		
	230V	460V
Full Load Amps	6	3
Locked Rotor Amps	50	25
No Load Current	3.5	1.75
Usable at 208V		6

BEARING INFORMATION	
DE Bearing	6205 2RS
ODE Bearing	6205 2RS
Grease Type	Mobil Polyrex EM

ADDITIONAL DATA	
F2 Suitable	No
Shaft Material	304 Stainless Steel
Connection Diagram	9 Lead 2Y/Y
Approximate Weight	51 lbs.

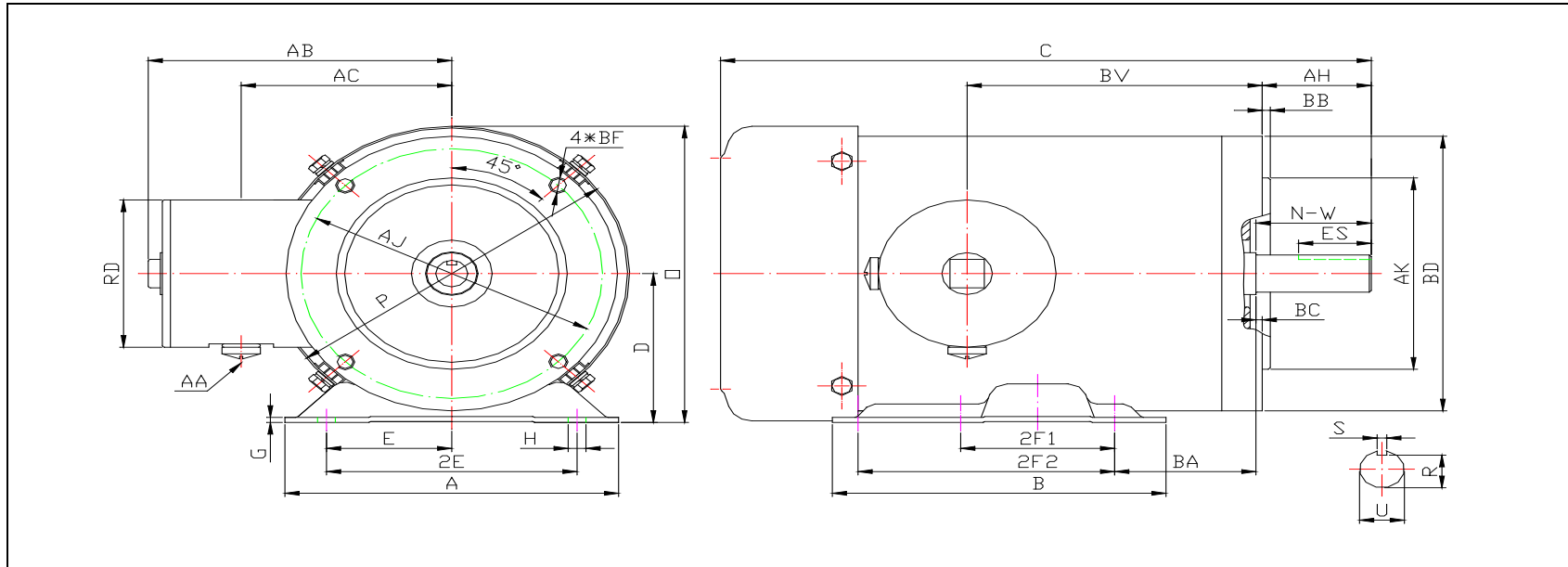
MOTOR DRAWING

Premium Efficiency Motor: **SSPE2-18-56C**

WorldWide Electric Corporation

1 (800) 808-2131

Worldwideelectric.net



DIMENSION - INCHES

MOUNTING					A	B	C	D	G	P	O	T	AB
E	2F1	2F2	H	BA									
2.44	3	5	1.22*0.34	2.75	6.5	6.5	13.75	3.5	0.118	6.95	6.98	N/A	5.95

SHAFT & KEY					
S	ES	R	N-W	U	AH
0.188	1.41	0.517	1.88	0.625	2.06

TERMINAL BOX				
AA	AB	AC	RD	BV
1/2 NPT	5.95	4.5	3.45	6.95

FLANGE					
AK	BD	AJ	BF	BB	BC
4.5	6.45	5.875	4*3/8-16	0.16	-0.19

PERFORMANCE CURVES

WorldWide Electric Corporation

1 (800) 808-2131

Worldwideelectric.net

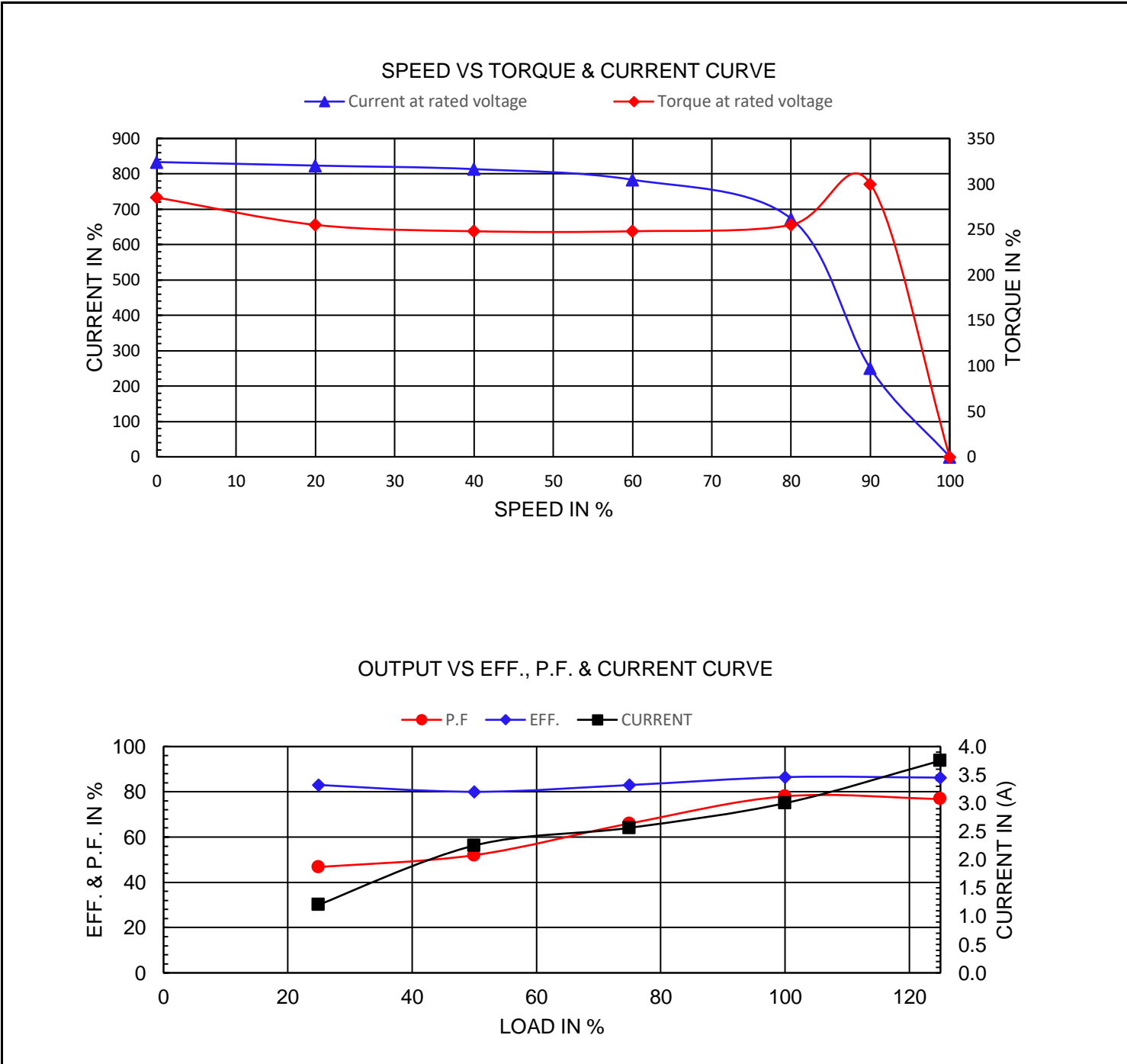


Premium Efficiency Motor:

SSPE2-18-56C

Document Generated: 30-Jan-2023	Customer:
Document ID:	

Motor Type	SSPE		FL Speed	1750		
Output Rating (HP)	2		LRT (%FLT)	285	460 volt FLA	3
Full Load Torque	5.9	lb.ft	BDT (%FLT)	300	230 volt FLA	6
Rotor Wk^2	0.184	lb-ft^2				



NAMEPLATE / WIRING

Premium Efficiency Motor: **SSPE2-18-56C**

WorldWide Electric Corporation

1 (800) 808-2131

Worldwideelectric.net



Document Generated: 30-Jan-2023
Document ID:

Customer:

SAMPLE NAMEPLATE DATA

		THREE PHASE AC INDUCTION MOTOR INVERTER DUTY 20:1 VT 10:1 CT								
Model .		FRAME		IP 69K	LB/WT		230V 			
Hz 60	S. F. 1.15	Hz 50	S. F. 1.15	ENCL. TEFC	AMB. 40°C					
HP	RPM	HP	RPM	DUTY CONT	INS. F					
VOLTS 230/460		VOLTS 190/380		NEMA DES. B			460V 			
AMP		AMP		BRG DE						
CODE	P. F.	CODE	P. F.	BRG ODE						
EFF	MIN	IE3 -		NO.						
								CC082A		

Model	SSPE2-18-56C			FRAME	56C	LB/WT	51 lbs.
Hz	60	S.F.	1.15	Hz	50	S.F.	1.15
HP	2	RPM	1750	HP	1 1/2	RPM	1455
VOLTS	230/460			VOLTS	190/380		
AMPS	6/3			AMPS	5.2/2.6		
CODE	L	P.F.	0.78	CODE	M	P.F.	0.76
EFF	86.5%	MIN	80%	IE3 -	84.1%		
BRG DE	6205 2RS						
BRG ODE	6205 2RS						