

DATA SHEET

Premium Efficiency Motor: **SSPE20-18-256TC,**

60 Hz

WorldWide Electric Corporation

1 (800) 808-2131

Worldwideelectric.net



Document Generated: 22-Feb-2023
Document ID:

Customer:

MOTOR INFORMATION	
HP	20
RPM	1800
Phase	3
Frequency	60
Voltage	230/460
Frame Size	256TC
Enclosure	TEFC
Degree of Protection	IP69K
Service Factor	1.15
Poles	4
Full Load Speed	1765
Insulation Class	F
Temp Rise	80°C
NEMA Code Letter	G
Duty Cycle	S1
Slip	1.94%
NEMA Design	B
Moment of Inertia	2.4 lb.ft.^2
Locked Rotor Time (Hot)	12 seconds
Sound Pressure Level	69 dB(A)
Number of Starts	12
Max Ambient Temperature	40° C
Max Elevation	1000 m.a.s.l (3300 f.a.s.l)
Mounting	F1
Rotation	Bidirectional
Area of Classification	Div.2 Class I, Gr. A,B,C&D T2B
Inverter Rating	10:1 CT/20:1 VT
Standard	NEMA MG1, UL1004
Approvals	CSA,UL,CE

EFFICIENCY/POWER FACTOR		
LOAD	EFF	P. F.
100%	93.0 %	0.85
75%	92.5 %	0.75
50%	92.0 %	0.63

TORQUE		
FULL LOAD	LRT	BDT
58.6 lb.ft.	200 %	250 %

AMPERAGE INFORMATION		
	230V	460V
Full Load Amps	49	24.5
Locked Rotor Amps	290	145
No Load Current	22	11
Usable at 208V		53

BEARING INFORMATION	
DE Bearing	6309 2RS
ODE Bearing	6309 2RS
Grease Type	Mobil Polyrex EM

ADDITIONAL DATA	
F2 Suitable	No
Shaft Material	304 Stainless Steel
Connection Diagram	12 Lead 2Δ/Δ
Approximate Weight	436 lbs.

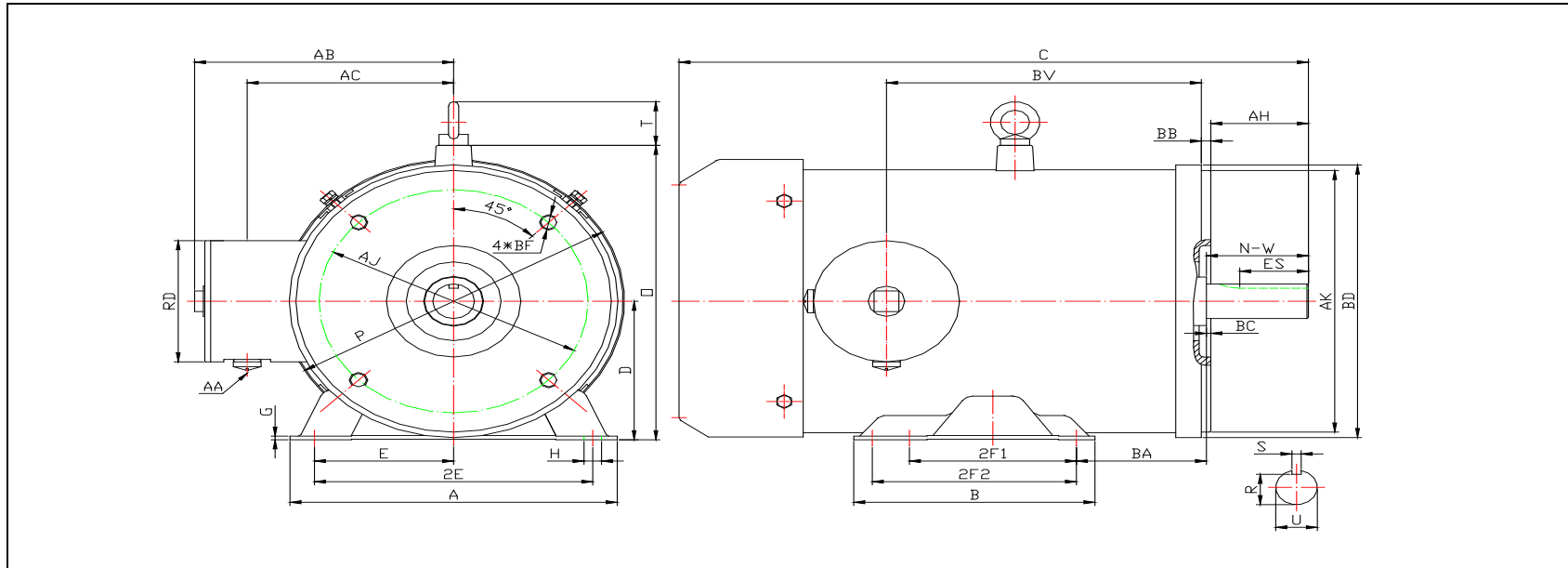
MOTOR DRAWING

Premium Efficiency Motor: **SSPE20-18-256TC**

WorldWide Electric Corporation

1 (800) 808-2131

Worldwideelectric.net



DIMENSION - INCHES

MOUNTING					A	B	C	D	G	P	O	T	AB
E	2F1	2F2	H	BA									
5	8.25	N/A	0.53	4.75	11.2	9.5	23.2	6.25	0.47	12.6	12.89	2.05	8.9

SHAFT & KEY					
S	ES	R	N-W	U	AH
0.375	2.91	1.416	4	1.625	3.75

TERMINAL BOX				
AA	AB	AC	RD	BV
3/4 NPT	8.9	7.25	5.12	12.65

FLANGE					
AK	BD	AJ	BF	BB	BC
8.5	11.72	7.25	4/12-13	0.25	0.25

PERFORMANCE CURVES

Premium Efficiency Motor:

SSPE20-18-256TC

WorldWide Electric Corporation

1 (800) 808-2131

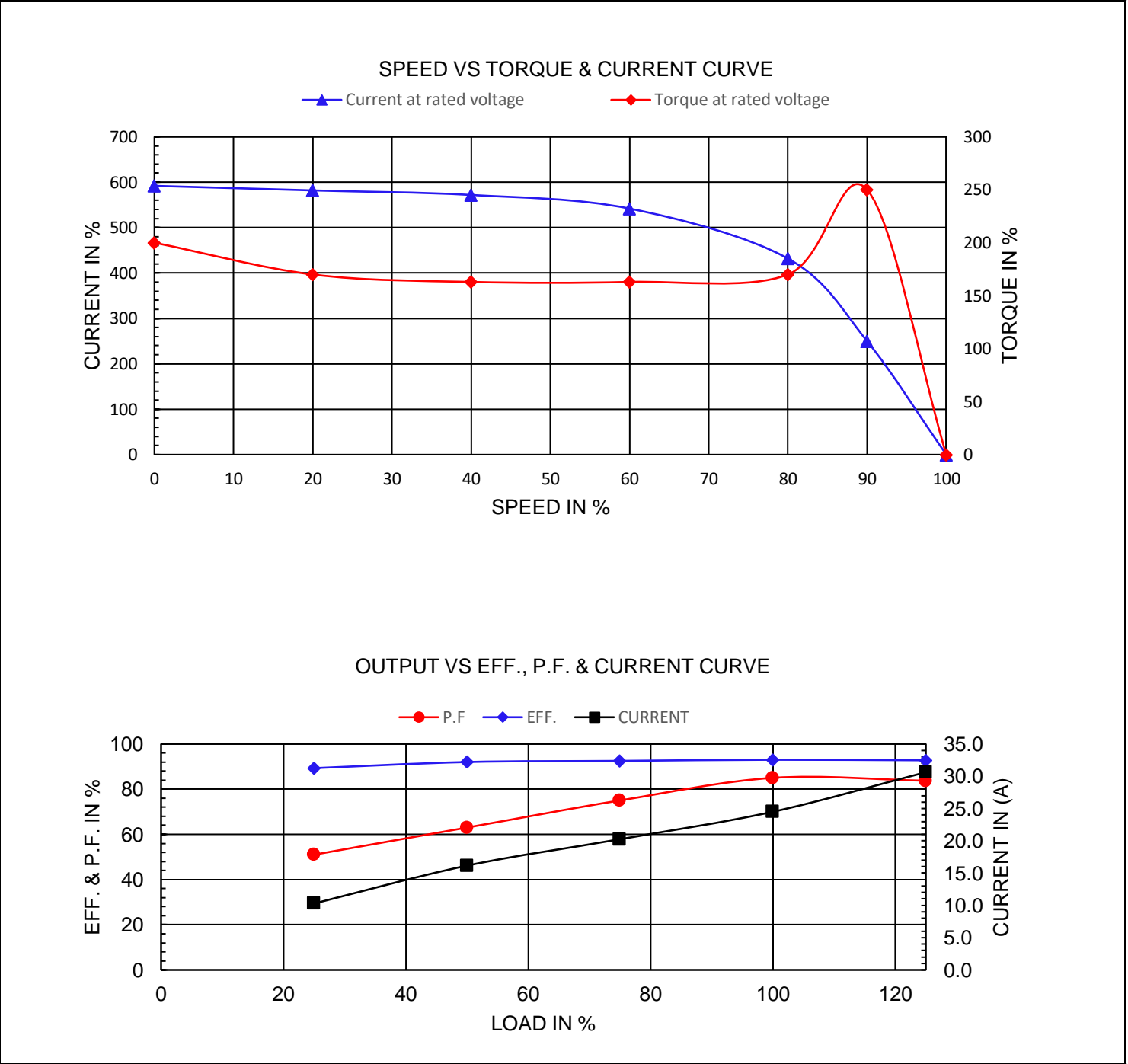
Worldwideelectric.net



Document Generated: 30-Jan-2023
Document ID:

Customer:

Motor Type	SSPE				
Output Rating (HP)	20	FL Speed	1765		
Full Load Torque	58.6 lb.ft	LRT (%FLT)	200	460 volt FLA	24.5
Rotor Wk ²	2.4 lb-ft ²	BDT (%FLT)	250	230 volt FLA	49



NAMEPLATE / WIRING

Premium Efficiency Motor: **SSPE20-18-256TC**

WorldWide Electric Corporation

1 (800) 808-2131

Worldwideelectric.net



Document Generated: 30-Jan-2023
Document ID:

Customer:

SAMPLE NAMEPLATE DATA

		THREE PHASE AC INDUCTION MOTOR INVERTER DUTY 20:1 VT 10:1 CT					
Hz 60 S. F. 1.15		Hz 50 S. F. 1.15		ENCL. TEFC		AMB. 40°C	
HP RPM		HP RPM		DUTY CONT		INS. F	
VOLTS 230/460		VOLTS 190/380		NEMA DES. B			
AMP		AMP		BRG DE			
CODE P. F.		CODE P. F.		BRG ODE			
EFF MIN		IE3 -		NO.			
				602259 US		E517327	
CC082A							

Model	SSPE20-18-256TC			FRAME	256TC	LB/WT	436 lbs.
Hz	60	S.F.	1.15	Hz	50	S.F.	1.15
HP	20	RPM	1765	HP	15	RPM	1470
VOLTS	230/460			VOLTS	190/380		
AMPS	49/24.5			AMPS	44/22		
CODE	G	P.F.	0.85	CODE	J	P.F.	0.82
EFF	93%	MIN	92%	IE3 -	91.4%		
BRG DE	6309 2RS						
BRG ODE	6309 2RS						