

DATA SHEET

Premium Efficiency Motor: **SSPE3-12-213TC,**

60 Hz

WorldWide Electric Corporation

1 (800) 808-2131

Worldwideelectric.net



Document Generated: 22-Feb-2023
Document ID:

Customer:

MOTOR INFORMATION	
HP	3
RPM	1200
Phase	3
Frequency	60
Voltage	230/460
Frame Size	213TC
Enclosure	TEFC
Degree of Protection	IP69K
Service Factor	1.15
Poles	6
Full Load Speed	1175
Insulation Class	F
Temp Rise	80°C
NEMA Code Letter	K
Duty Cycle	S1
Slip	2.08%
NEMA Design	B
Moment of Inertia	1.055 lb.ft.^2
Locked Rotor Time (Hot)	12 seconds
Sound Pressure Level	61 dB(A)
Number of Starts	12
Max Ambient Temperature	40° C
Max Elevation	1000 m.a.s.l (3300 f.a.s.l)
Mounting	F1
Rotation	Bidirectional
Area of Classification	Div.2 Class I, Gr. A,B,C&D T2B
Inverter Rating	10:1 CT/20:1 VT
Standard	NEMA MG1, UL1004
Approvals	CSA,UL,CE

EFFICIENCY/POWER FACTOR		
LOAD	EFF	P. F.
100%	89.5 %	0.74
75%	87.0 %	0.62
50%	86.0 %	0.51

TORQUE		
FULL LOAD	LRT	BDT
13.2 lb.ft.	250 %	280 %

AMPERAGE INFORMATION		
	230V	460V
Full Load Amps	9.2	4.6
Locked Rotor Amps	64	32
No Load Current	6	3
Usable at 208V		10

BEARING INFORMATION	
DE Bearing	6308 2RS
ODE Bearing	6208 2RS
Grease Type	Mobil Polyrex EM

ADDITIONAL DATA	
F2 Suitable	No
Shaft Material	304 Stainless Steel
Connection Diagram	9 Lead 2Y/Y
Approximate Weight	170 lbs.

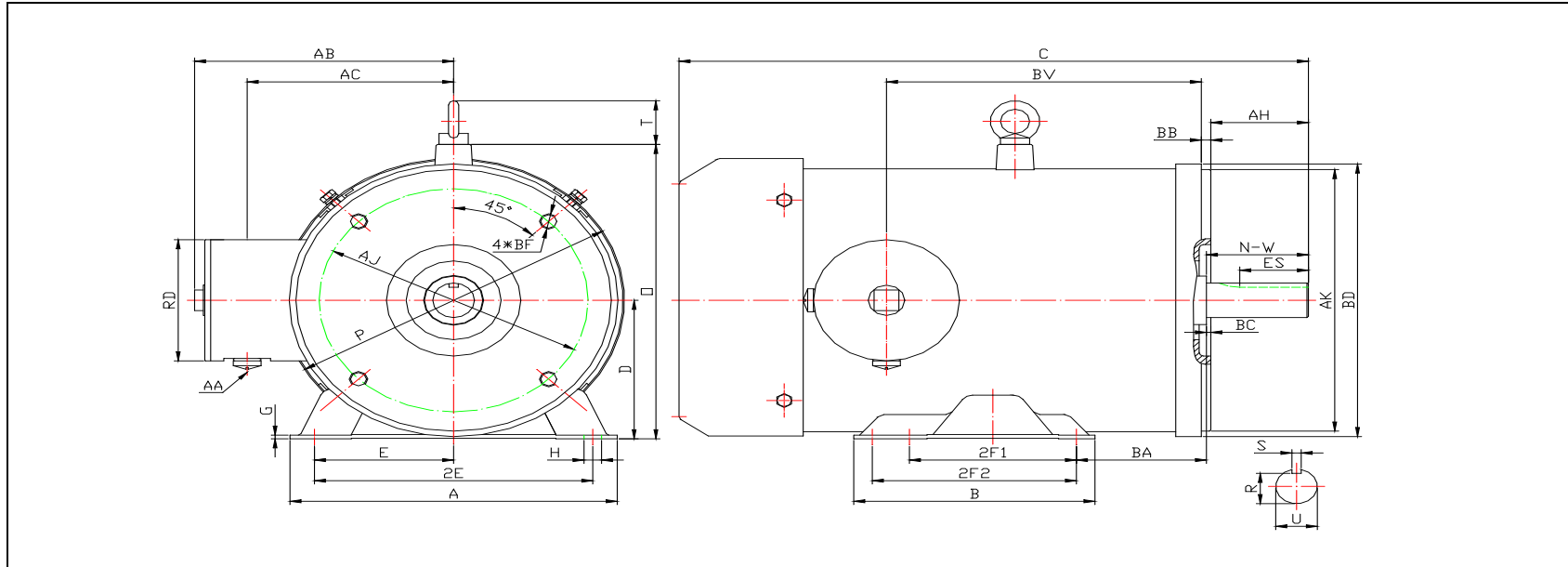
MOTOR DRAWING

Premium Efficiency Motor: **SSPE3-12-213TC**

WorldWide Electric Corporation

1 (800) 808-2131

Worldwideelectric.net



DIMENSION - INCHES

MOUNTING					A	B	C	D	G	P	O	T	AB
E	2F1	2F2	H	BA									
4.25	5.5	7	0.41	4.25	9.6	8.1	20.7	5.25	0.157	10.7	11.2	1.75	7.85

SHAFT & KEY					
S	ES	R	N-W	U	AH
0.312	2.41	1.201	3.38	1.375	3.12

TERMINAL BOX				
AA	AB	AC	RD	BV
1/2 NPT	7.85	6.41	3.95	11.15

FLANGE					
AK	BD	AJ	BF	BB	BC
8.5	10.08	7.25	4*1/2-13	0.25	0.25

PERFORMANCE CURVES

Premium Efficiency Motor: **SSPE3-12-213TC**

WorldWide Electric Corporation

1 (800) 808-2131

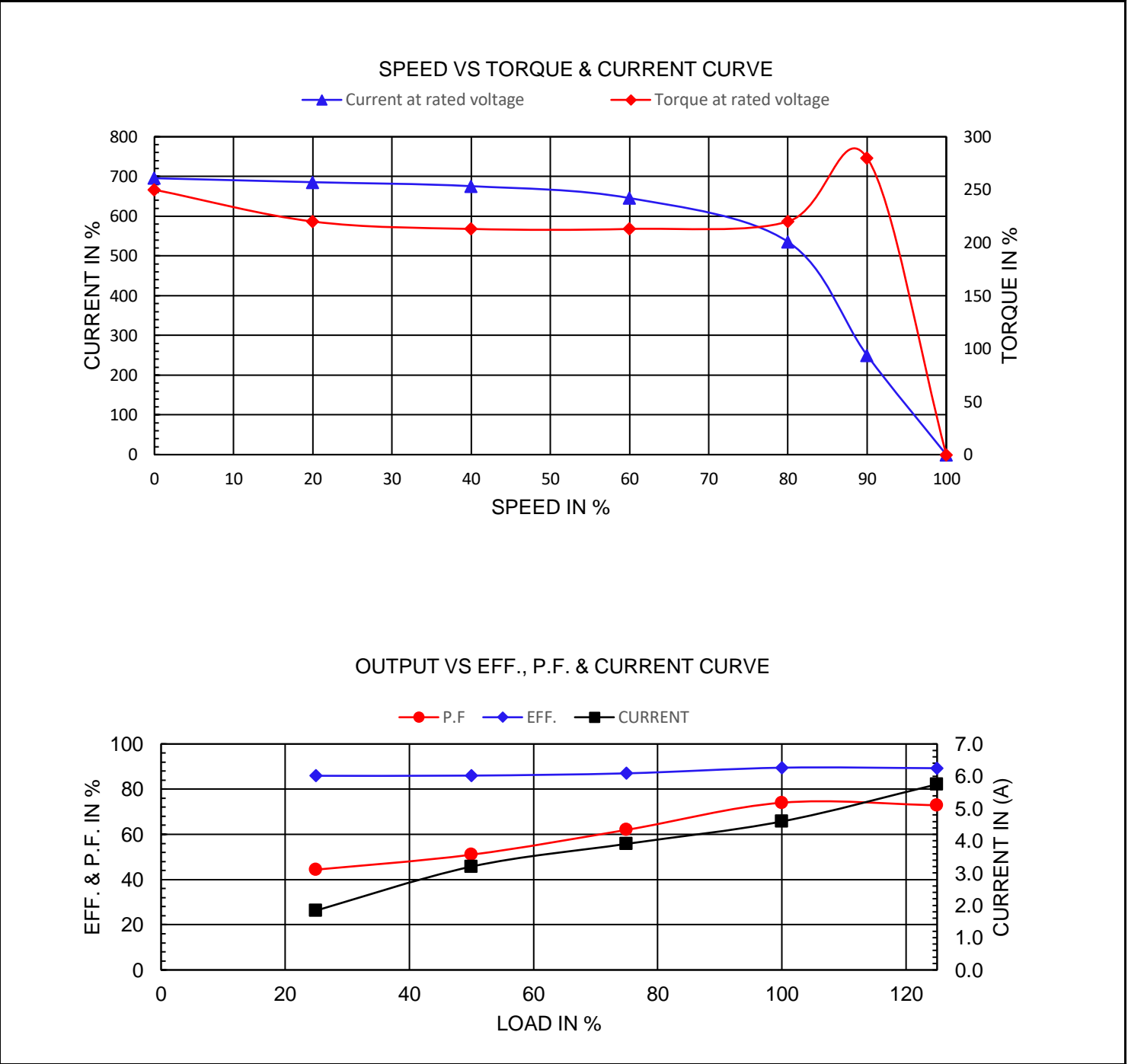
Worldwideelectric.net



Document Generated: 30-Jan-2023
Document ID:

Customer:

Motor Type	SSPE				
Output Rating (HP)	3	FL Speed	1175		
Full Load Torque	13.2 lb.ft	LRT (%FLT)	250	460 volt FLA	4.6
Rotor Wk ²	1.055 lb-ft ²	BDT (%FLT)	280	230 volt FLA	9.2



NAMEPLATE / WIRING

Premium Efficiency Motor: **SSPE3-12-213TC**

WorldWide Electric Corporation

1 (800) 808-2131

Worldwideelectric.net



Document Generated: 30-Jan-2023	Customer:
Document ID:	

SAMPLE NAMEPLATE DATA

		THREE PHASE AC INDUCTION MOTOR INVERTER DUTY 20:1 VT 10:1 CT								
Model		FRAME		IP 69K	LB/WT		230V 			
Hz 60	S. F. 1.15	Hz 50	S. F. 1.15	ENCL. TEFC		AMB. 40°C				
HP	RPM	HP	RPM	DUTY CONT		INS. F				
VOLTS 230/460		VOLTS 190/380		NEMA DES. B				460V 		
AMP		AMP		BRG DE						
CODE	P. F.	CODE	P. F.	BRG ODE						
EFF	MIN	IE3 -		NO.						
				 C 502259 US		 E517327		CC082A		

Model	SSPE3-12-213TC			FRAME	213TC	LB/WT	170 lbs.
Hz	60	S.F.	1.15	Hz	50	S.F.	1.15
HP	3	RPM	1175	HP	2	RPM	980
VOLTS		230/460		VOLTS		190/380	
AMPS		9.2/4.6		AMPS		7.6/3.8	
CODE	K	P.F.	0.74	CODE	L	P.F.	0.70
EFF	89.5%	MIN	86%	IE3 -	82.5%		
BRG DE		6308 2RS					
BRG ODE		6208 2RS					