

# DATA SHEET

Premium Efficiency Motor: **SSPE3-18-182JM,**

**60 Hz**

WorldWide Electric Corporation

1 (800) 808-2131

Worldwideelectric.net



Document Generated: 14-Mar-2023  
Document ID:

Customer:

MOTOR INFORMATION	
HP	3
RPM	1800
Phase	3
Frequency	60
Voltage	230/460
Frame Size	182JM
Enclosure	TEFC
Degree of Protection	IP69K
Service Factor	1.15
Poles	4
Full Load Speed	1765
Insulation Class	F
Temp Rise	80°C
NEMA Code Letter	K
Duty Cycle	S1
Slip	1.94%
NEMA Design	B
Moment of Inertia	0.348 lb.ft.^2
Locked Rotor Time (Hot)	12 seconds
Sound Pressure Level	64 dB(A)
Number of Starts	2 Cold / 1 Hot
Max Ambient Temperature	40° C
Max Elevation	1000 m.a.s.l (3300 f.a.s.l)
Mounting	F1
Rotation	Bidirectional
Area of Classification	Div.2 Class I, Gr. A,B,C&D T2B
Inverter Rating	10:1 CT/20:1 VT
Standard	NEMA MG1, UL1004
Approvals	CSA,UL,CE

EFFICIENCY/POWER FACTOR		
LOAD	EFF	P. F.
100%	89.5 %	0.81
75%	90.0 %	0.75
50%	89.0 %	0.64

TORQUE		
FULL LOAD	LRT	BDT
8.8 lb.ft.	270 %	290 %

AMPERAGE INFORMATION		
	230V	460V
Full Load Amps	8	4
Locked Rotor Amps	64	32
No Load Current	4	2
Usable at 208V		8

BEARING INFORMATION	
DE Bearing	6308 2RS
ODE Bearing	6306 2RS
Grease Type	Mobil Polyrex EM

ADDITIONAL DATA	
F2 Suitable	No
Shaft Material	304 Stainless Steel
Connection Diagram	9 Lead 2Y/Y
Approximate Weight	81 lbs.

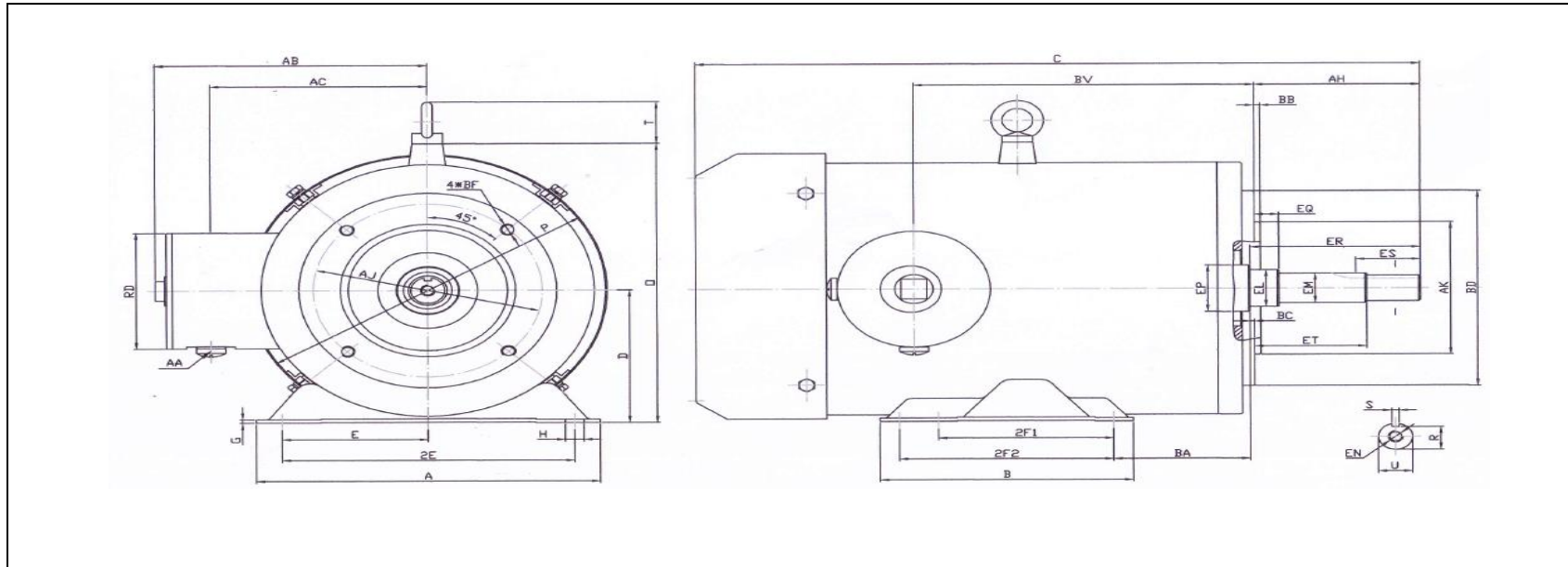
# MOTOR DRAWING

Premium Efficiency Motor: **SSPE3-18-182JM**

WorldWide Electric Corporation

1 (800) 808-2131

Worldwideelectric.net



## DIMENSION - INCHES

MOUNTING					A	B	C	D	G	P	O	T
E	2F1	2F2	H	BA								
3.75	4.5	5.5	0.71*0.47	3.5	8.8	6.5	18.58	4.5	0.118	9.25	9.55	1.45

SHAFT & KEY											
S	ES	R	AH	EQ	ET	EM	EL	EP	ER	EN	U
0.19	1.65	0.771	4.281	0.64	2.89	1	1.25	1.57	4.36	3/8-16	0.8745

FLANGE					
AK	BD	AJ	BF	BB	BC
4.5	6.6	5.875	4*3/8-16	0.156	0.12

TERMINAL BOX				
AA	AB	AC	RD	BV
1/2 NPT	7	5.55	3.95	8.75

# PERFORMANCE CURVES

WorldWide Electric Corporation

1 (800) 808-2131

Worldwideelectric.net

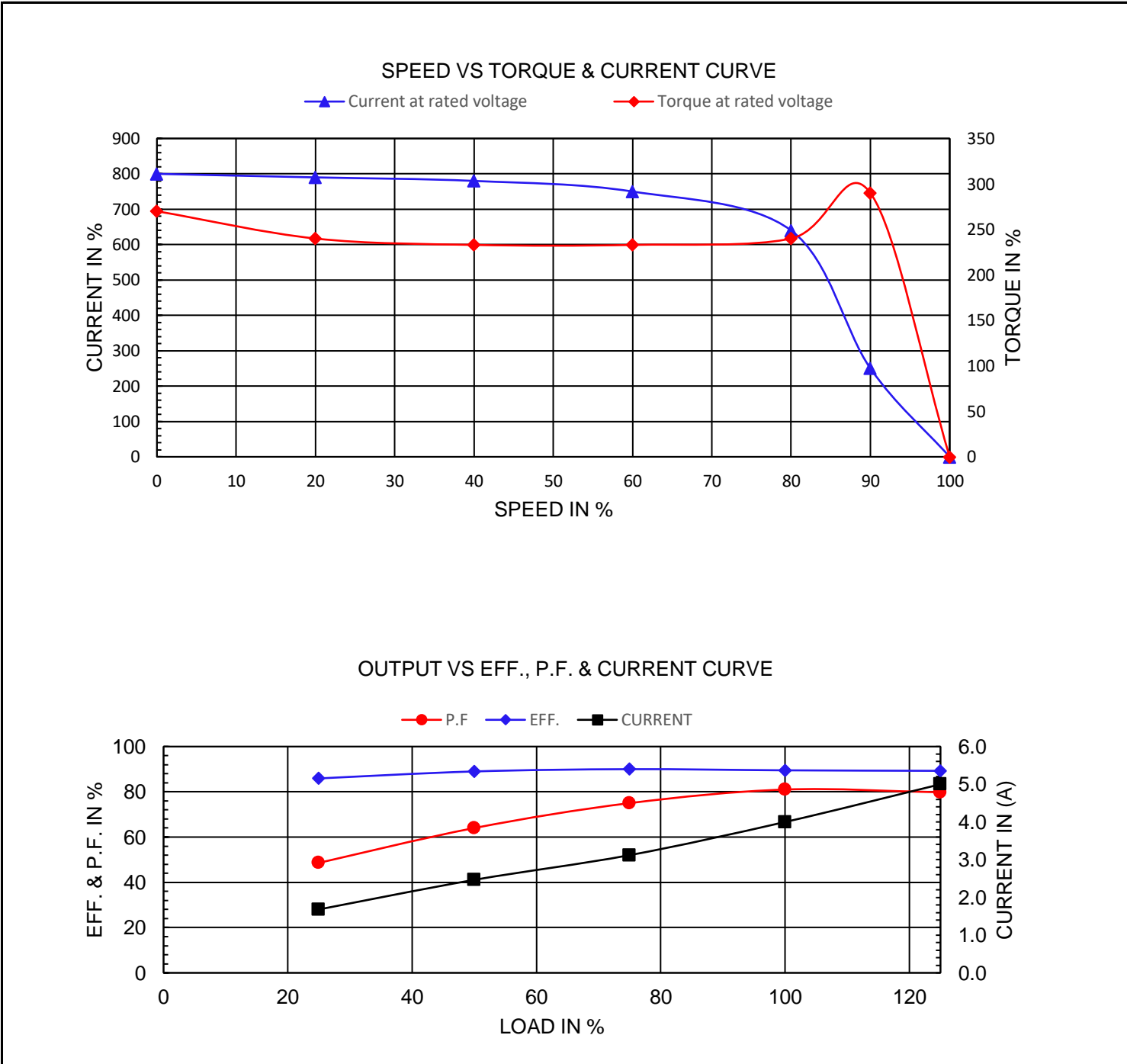


Premium Efficiency Motor:

**SSPE3-18-182JM**

Document Generated: 14-Mar-2023	Customer:
Document ID:	

Motor Type	SSPE			FL Speed	1765
Output Rating (HP)	3			LRT (%FLT)	270
Full Load Torque	8.8	lb.ft		460 volt FLA	4
Rotor Wk^2	0.348	lb-ft^2		230 volt FLA	8



# NAMEPLATE / WIRING

Premium Efficiency Motor: **SSPE3-18-182JM**

WorldWide Electric Corporation

1 (800) 808-2131

Worldwideelectric.net



Document Generated: 14-Mar-2023  
Document ID:

Customer:

## SAMPLE NAMEPLATE DATA

		<b>THREE PHASE AC INDUCTION MOTOR</b> <b>INVERTER DUTY 20:1 VT 10:1 CT</b>							
Model		FRAME		IP 69K	LB/WT		<b>230V</b> 		
Hz 60	S. F. 1.15	Hz 50	S. F. 1.15	ENCL. TEFC	AMB. 40°C				
HP	RPM	HP	RPM	DUTY CONT	INS. F				
VOLTS 230/460		VOLTS 190/380		NEMA DES. B			<b>460V</b> 		
AMP		AMP		BRG DE					
CODE	P. F.	CODE	P. F.	BRG ODE					
EFF	MIN	IE3 -		NO.					
				 C 502259 US		 E 517327		<b>CC082A</b>	

Model	SSPE3-18-182JM			FRAME	182JM	LB/WT	81 lbs.
Hz	60	S.F.	1.15	Hz	50	S.F.	1.15
HP	3	RPM	1765	HP	2	RPM	1470
VOLTS	230/460			VOLTS	190/380		
AMPS	8/4			AMPS	6.6/3.3		
CODE	K	P.F.	0.81	CODE	L	P.F.	0.78
EFF	89.5%	MIN	89%	IE3 -	85.3%		
BRG DE	6308 2RS						
BRG ODE	6306 2RS						