

# DATA SHEET

Premium Efficiency Motor: **SSPE3-36-145TCRD,**

**60 Hz**

WorldWide Electric Corporation

1 (800) 808-2131

Worldwideelectric.net



Document Generated: 22-Feb-2023  
Document ID:

Customer:

| MOTOR INFORMATION       |                                |
|-------------------------|--------------------------------|
| HP                      | 3                              |
| RPM                     | 3600                           |
| Phase                   | 3                              |
| Frequency               | 60                             |
| Voltage                 | 230/460                        |
| Frame Size              | 145TC                          |
| Enclosure               | TEFC                           |
| Degree of Protection    | IP69K                          |
| Service Factor          | 1.15                           |
| Poles                   | 2                              |
| Full Load Speed         | 3500                           |
| Insulation Class        | F                              |
| Temp Rise               | 80°C                           |
| NEMA Code Letter        | K                              |
| Duty Cycle              | S1                             |
| Slip                    | 2.78%                          |
| NEMA Design             | B                              |
| Moment of Inertia       | 0.125 lb.ft.^2                 |
| Locked Rotor Time (Hot) | 12 seconds                     |
| Sound Pressure Level    | 78 dB(A)                       |
| Number of Starts        | 10                             |
| Max Ambient Temperature | 40° C                          |
| Max Elevation           | 1000 m.a.s.l (3300 f.a.s.l)    |
| Mounting                | F1                             |
| Rotation                | Bidirectional                  |
| Area of Classification  | Div.2 Class I, Gr. A,B,C&D T2B |
| Inverter Rating         | 10:1 CT/20:1 VT                |
| Standard                | NEMA MG1, UL1004               |
| Approvals               | CSA,UL,CE                      |

| EFFICIENCY/POWER FACTOR |        |       |
|-------------------------|--------|-------|
| LOAD                    | EFF    | P. F. |
| 100%                    | 86.5 % | 0.91  |
| 75%                     | 86.6 % | 0.87  |
| 50%                     | 85.0 % | 0.77  |

| TORQUE     |       |       |
|------------|-------|-------|
| FULL LOAD  | LRT   | BDT   |
| 4.4 lb.ft. | 250 % | 300 % |

| AMPERAGE INFORMATION |      |      |
|----------------------|------|------|
|                      | 230V | 460V |
| Full Load Amps       | 7.2  | 3.6  |
| Locked Rotor Amps    | 64   | 32   |
| No Load Current      | 2.8  | 1.4  |
| Usable at 208V       |      | 8    |

| BEARING INFORMATION |                  |
|---------------------|------------------|
| DE Bearing          | 6308 2RS         |
| ODE Bearing         | 6306 2RS         |
| Grease Type         | Mobil Polyrex EM |

| ADDITIONAL DATA    |                     |
|--------------------|---------------------|
| F2 Suitable        | No                  |
| Shaft Material     | 304 Stainless Steel |
| Connection Diagram | 9 Lead 2Y/Y         |
| Approximate Weight | 60 lbs.             |

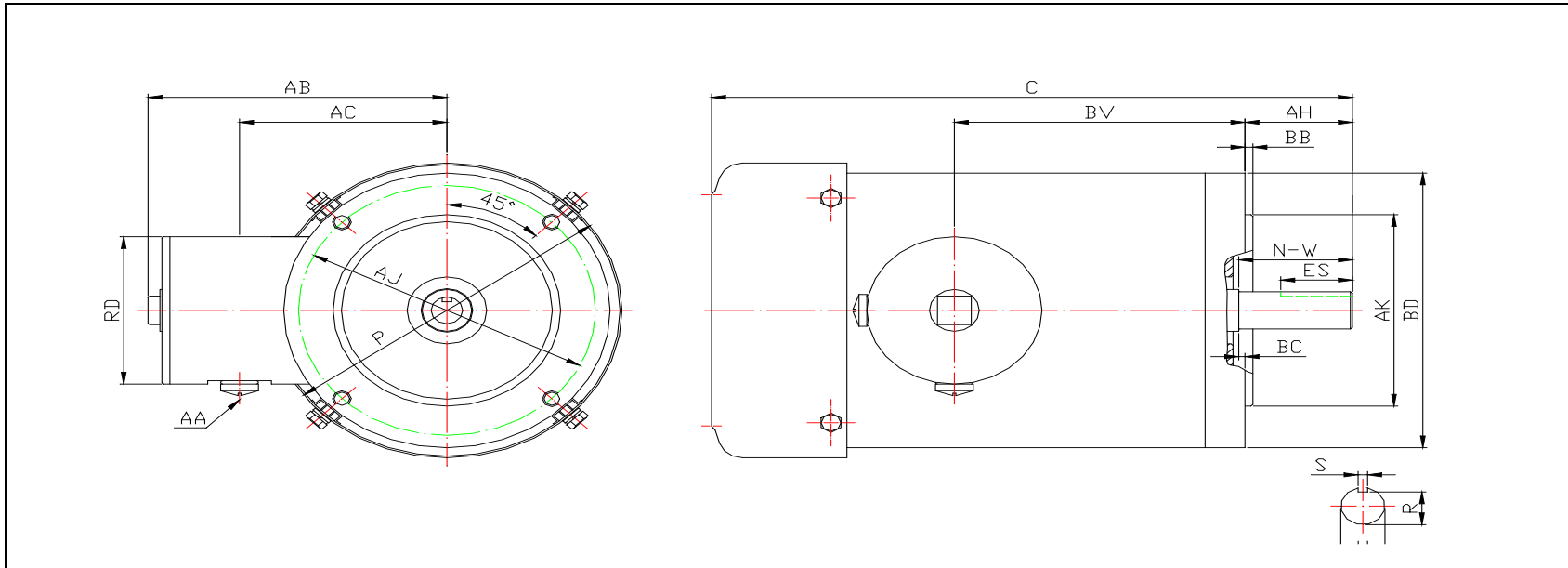
# MOTOR DRAWING

Premium Efficiency Motor: **SSPE3-36-145TCRD**

WorldWide Electric Corporation

1 (800) 808-2131

Worldwideelectric.net



## DIMENSION - INCHES

| FLANGE MOUNTING |      |       |          |      |      | C     | P    | T   | AB   |
|-----------------|------|-------|----------|------|------|-------|------|-----|------|
| AK              | BD   | AJ    | BF       | BB   | BC   |       |      |     |      |
| 4.5             | 6.45 | 5.875 | 4*3/8-16 | 0.16 | 0.12 | 12.63 | 6.95 | N/A | 5.95 |

| SHAFT & KEY |      |       |      |       |      |
|-------------|------|-------|------|-------|------|
| S           | ES   | R     | N-W  | U     | AH   |
| 0.188       | 1.41 | 0.771 | 1.88 | 0.875 | 2.12 |

| TERMINAL BOX |      |     |      |      |
|--------------|------|-----|------|------|
| AA           | AB   | AC  | RD   | BV   |
| 1/2 NPT      | 5.95 | 4.5 | 3.45 | 4.75 |

# PERFORMANCE CURVES

Premium Efficiency Motor:

**SSPE3-36-145TCRD**

WorldWide Electric Corporation

1 (800) 808-2131

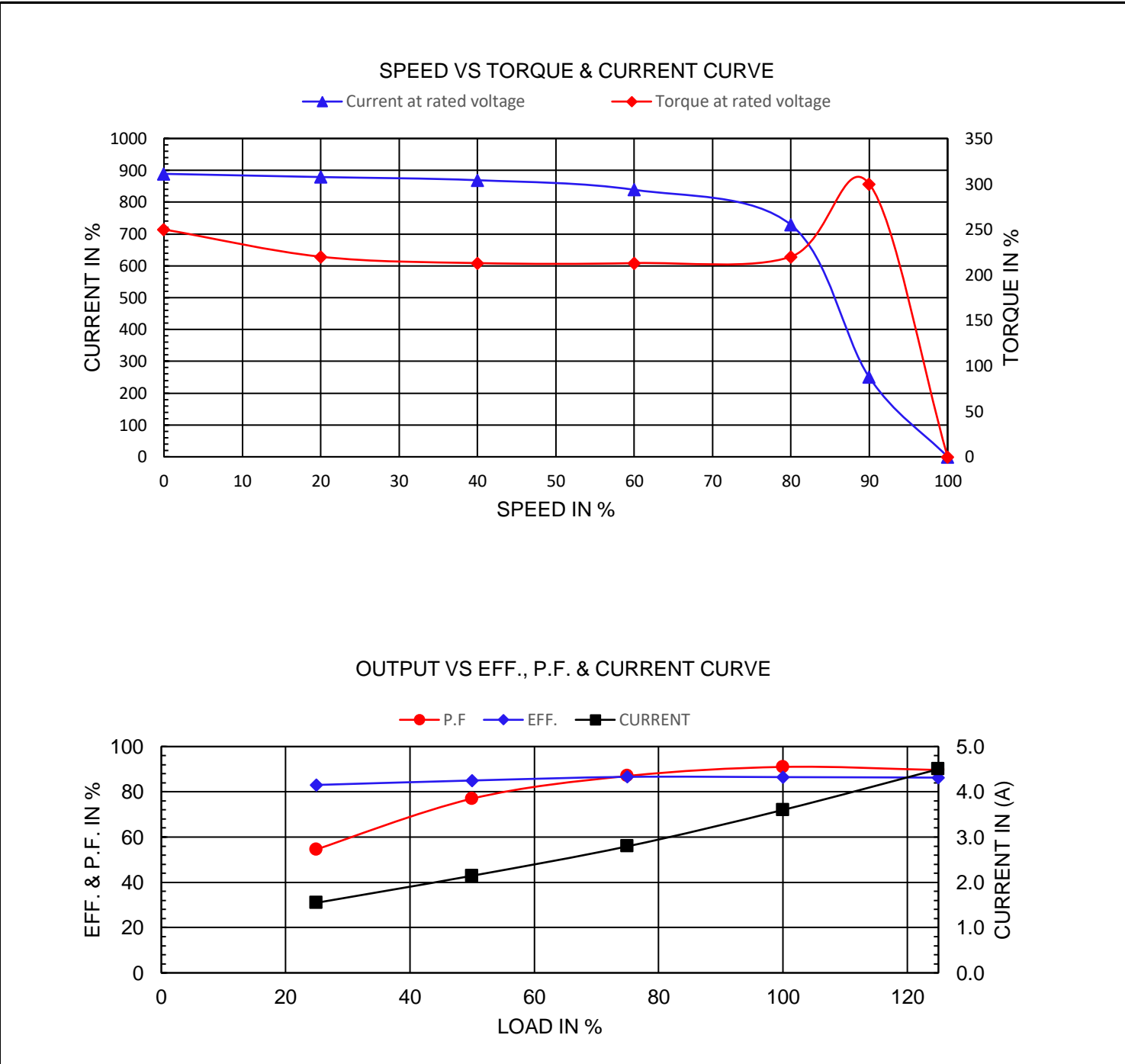
Worldwideelectric.net



Document Generated: 31-Jan-2023  
Document ID:

Customer:

|                    |               |            |      |              |     |
|--------------------|---------------|------------|------|--------------|-----|
| Motor Type         | SSPE          |            |      |              |     |
| Output Rating (HP) | 3             | FL Speed   | 3500 |              |     |
| Full Load Torque   | 4.4 lb.ft     | LRT (%FLT) | 250  | 460 volt FLA | 3.6 |
| Rotor Wk^2         | 0.125 lb-ft^2 | BDT (%FLT) | 300  | 230 volt FLA | 7.2 |



# NAMEPLATE / WIRING

Premium Efficiency Motor:

**SSPE3-36-145TCRD**

WorldWide Electric Corporation

1 (800) 808-2131

Worldwideelectric.net



Document Generated: 31-Jan-2023  
Document ID:

Customer:

## SAMPLE NAMEPLATE DATA

|                 |  |   |  |             |  |           |  |  |  |  |
|-----------------|--|---|--|-------------|--|-----------|--|--|--|--|
|                 |  | <b>THREE PHASE AC INDUCTION MOTOR</b><br><b>INVERTER DUTY 20:1 VT 10:1 CT</b> |  |             |  |           |  |  |  |  |
| Model           |  | FRAME   |  | IP 69K      |  | LB/WT     |  |  |  |  |
| Hz 60 S.F. 1.15 |  | Hz 50 S.F. 1.15   |  | ENCL. TEFC  |  | AMB. 40°C |  |  |  |  |
| HP RPM          |  | HP RPM  |  | DUTY CONT   |  | INS. F    |  |  |  |  |
| VOLTS 230/460   |  | VOLTS 190/380   |  | NEMA DES. B |  |           |  |  |  |  |
| AMP             |  | AMP   |  | BRG DE      |  |           |  |  |  |  |
| CODE P.F.       |  | CODE P.F.   |  | BRG ODE     |  |           |  |  |  |  |
| EFF MIN         |  | IE3 -   |  | NO.         |  |           |  |  |  |  |
|                 |  |   |  |             |  |           |  |  |  |  |

|         |                  |      |      |       |         |       |         |
|---------|------------------|------|------|-------|---------|-------|---------|
| Model   | SSPE3-36-145TCRD |      |      | FRAME | 145TC   | LB/WT | 60 lbs. |
| Hz      | 60               | S.F. | 1.15 | Hz    | 50      | S.F.  | 1.15    |
| HP      | 3                | RPM  | 3500 | HP    | 2       | RPM   | 2940    |
| VOLTS   | 230/460          |      |      | VOLTS | 190/380 |       |         |
| AMPS    | 7.2/3.6          |      |      | AMPS  | 6.6/3.3 |       |         |
| CODE    | K                | P.F. | 0.91 | CODE  | L       | P.F.  | 0.80    |
| EFF     | 86.5%            | MIN  | 85%  | IE3 - | 84.2%   |       |         |
| BRG DE  | 6308 2RS         |      |      |       |         |       |         |
| BRG ODE | 6306 2RS         |      |      |       |         |       |         |