

DATA SHEET

Premium Efficiency Motor: **SSPE3-36-182TC,**

60 Hz

WorldWide Electric Corporation

1 (800) 808-2131

Worldwideelectric.net



Document Generated: 22-Feb-2023
Document ID:

Customer:

| MOTOR INFORMATION | |
|-------------------------|--------------------------------|
| HP | 3 |
| RPM | 3600 |
| Phase | 3 |
| Frequency | 60 |
| Voltage | 230/460 |
| Frame Size | 182TC |
| Enclosure | TEFC |
| Degree of Protection | IP69K |
| Service Factor | 1.15 |
| Poles | 2 |
| Full Load Speed | 3510 |
| Insulation Class | F |
| Temp Rise | 80°C |
| NEMA Code Letter | K |
| Duty Cycle | S1 |
| Slip | 2.50% |
| NEMA Design | B |
| Moment of Inertia | 0.145 lb.ft.^2 |
| Locked Rotor Time (Hot) | 12 seconds |
| Sound Pressure Level | 78 dB(A) |
| Number of Starts | 10 |
| Max Ambient Temperature | 40° C |
| Max Elevation | 1000 m.a.s.l (3300 f.a.s.l) |
| Mounting | F1 |
| Rotation | Bidirectional |
| Area of Classification | Div.2 Class I, Gr. A,B,C&D T2B |
| Inverter Rating | 10:1 CT/20:1 VT |
| Standard | NEMA MG1, UL1004 |
| Approvals | CSA,UL,CE |

| EFFICIENCY/POWER FACTOR | | |
|-------------------------|--------|-------|
| LOAD | EFF | P. F. |
| 100% | 86.5 % | 0.85 |
| 75% | 87.0 % | 0.75 |
| 50% | 86.0 % | 0.63 |

| TORQUE | | |
|------------|-------|-------|
| FULL LOAD | LRT | BDT |
| 4.4 lb.ft. | 270 % | 290 % |

| AMPERAGE INFORMATION | | |
|----------------------|------|------|
| | 230V | 460V |
| Full Load Amps | 8.1 | 4.05 |
| Locked Rotor Amps | 64 | 32 |
| No Load Current | 4.2 | 2.1 |
| Usable at 208V | | 9 |

| BEARING INFORMATION | |
|---------------------|------------------|
| DE Bearing | 6308 2RS |
| ODE Bearing | 6306 2RS |
| Grease Type | Mobil Polyrex EM |

| ADDITIONAL DATA | |
|--------------------|---------------------|
| F2 Suitable | No |
| Shaft Material | 304 Stainless Steel |
| Connection Diagram | 9 Lead 2Y/Y |
| Approximate Weight | 81 lbs. |

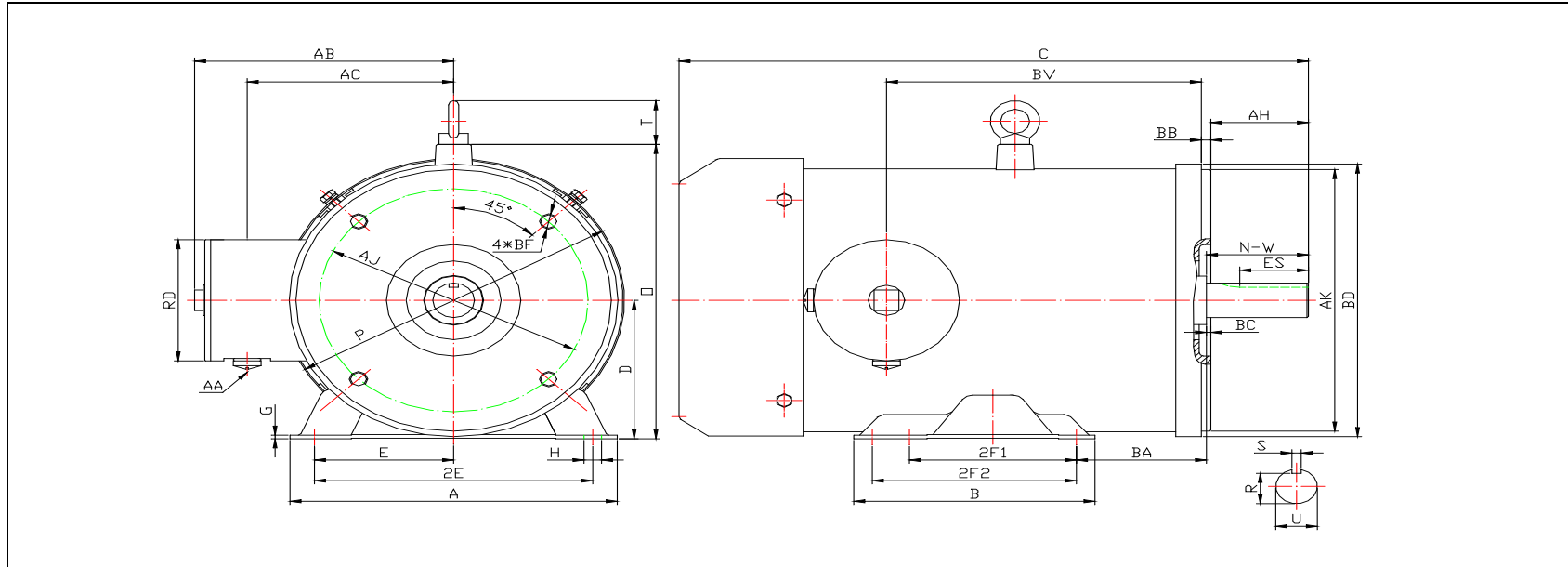
MOTOR DRAWING

Premium Efficiency Motor: **SSPE3-36-182TC**

WorldWide Electric Corporation

1 (800) 808-2131

Worldwideelectric.net



DIMENSION - INCHES

| MOUNTING | | | | | A | B | C | D | G | P | O | T | AB |
|----------|-----|-----|-----------|-----|-----|-----|----|-----|-------|------|------|------|----|
| E | 2F1 | 2F2 | H | BA | | | | | | | | | |
| 3.75 | 4.5 | 5.5 | 0.71*0.47 | 3.5 | 8.8 | 6.5 | 17 | 4.5 | 0.118 | 9.25 | 9.55 | 1.45 | 7 |

| SHAFT & KEY | | | | | |
|-------------|------|-------|------|-------|------|
| S | ES | R | N-W | U | AH |
| 0.25 | 1.78 | 0.986 | 2.75 | 1.125 | 2.62 |

| TERMINAL BOX | | | | |
|--------------|----|------|------|-----|
| AA | AB | AC | RD | BV |
| 1/2 NPT | 7 | 5.55 | 3.95 | 8.5 |

| FLANGE | | | | | |
|--------|------|------|----------|------|------|
| AK | BD | AJ | BF | BB | BC |
| 8.5 | 8.85 | 7.25 | 4*1/2-13 | 0.25 | 0.12 |

PERFORMANCE CURVES

Premium Efficiency Motor:

SSPE3-36-182TC

WorldWide Electric Corporation

1 (800) 808-2131

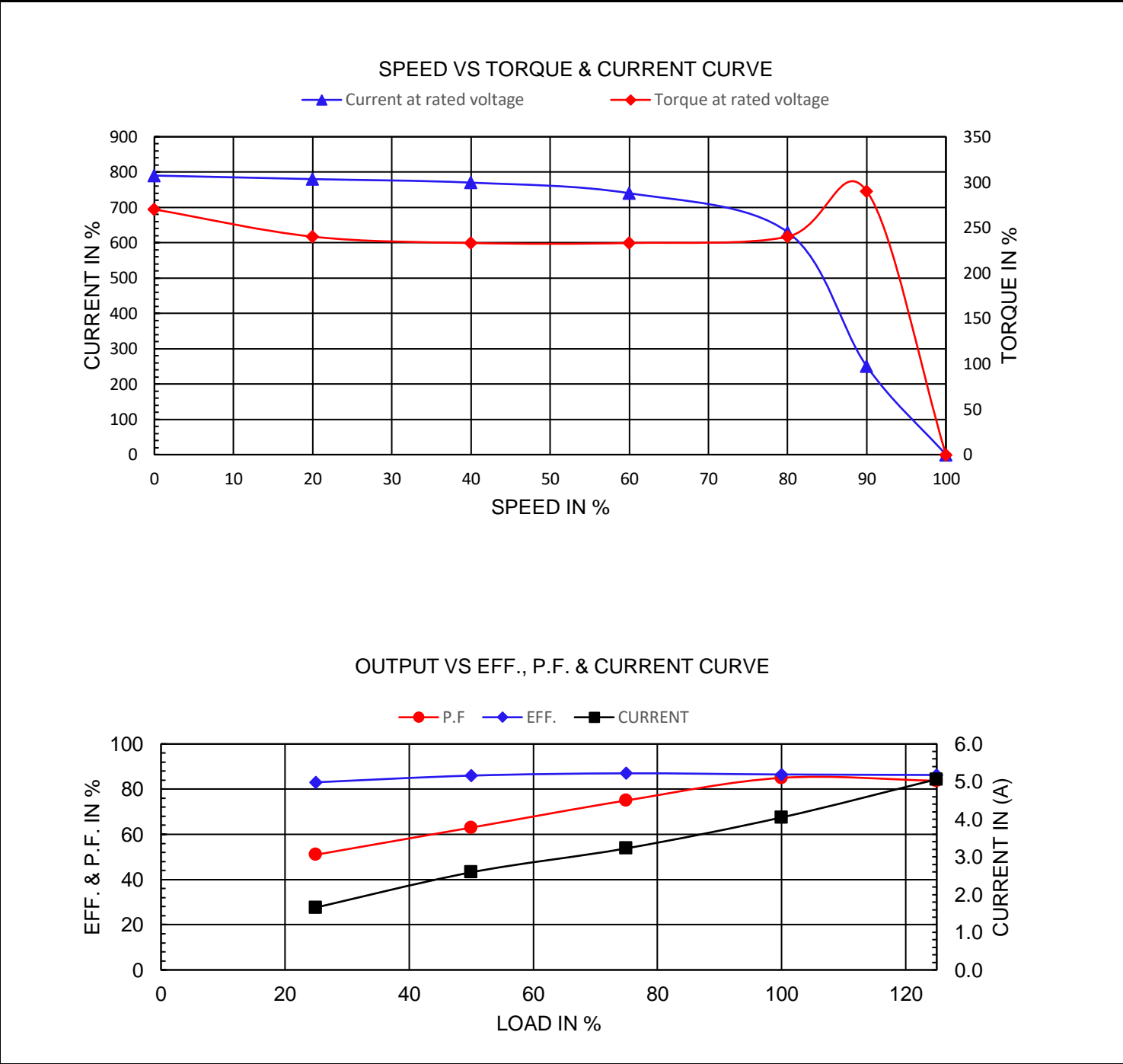
Worldwideelectric.net



Document Generated: 30-Jan-2023
Document ID:

Customer:

| | | | | | |
|--------------------|-------|---------|------------|------|-------------------|
| Motor Type | SSPE | | FL Speed | 3510 | |
| Output Rating (HP) | 3 | | LRT (%FLT) | 270 | 460 volt FLA 4.05 |
| Full Load Torque | 4.4 | lb.ft | BDT (%FLT) | 290 | 230 volt FLA 8.1 |
| Rotor Wk^2 | 0.145 | lb-ft^2 | | | |



NAMEPLATE / WIRING

Premium Efficiency Motor: **SSPE3-36-182TC**

WorldWide Electric Corporation

1 (800) 808-2131

Worldwideelectric.net



Document Generated: 30-Jan-2023
Document ID:

Customer:

SAMPLE NAMEPLATE DATA

| | | | | | | | | | |
|---------------|------------|---|------------|-----------------|-----------|-------------|-----------------|---------------|--|
| | | THREE PHASE AC INDUCTION MOTOR INVERTER DUTY 20:1 VT 10:1 CT | | | | | | | |
| Model | | FRAME | | IP 69K | LB/WT | | 230V | | |
| Hz 60 | S. F. 1.15 | Hz 50 | S. F. 1.15 | ENCL. TEFC | AMB. 40°C | | | | |
| HP | RPM | HP | RPM | DUTY CONT | INS. F | | | | |
| VOLTS 230/460 | | VOLTS 190/380 | | NEMA DES. B | | | 460V | | |
| AMP | | AMP | | BRG DE | | | | | |
| CODE | P. F. | CODE | P. F. | BRG ODE | | | | | |
| EFF | MIN | IE3 - | | NO. | | | | | |
| | | | | C 502259 US | | E517327 | | CC082A | |

| | | | | | | | |
|---------|----------------|------|------|-------|---------|-------|---------|
| Model | SSPE3-36-182TC | | | FRAME | 182TC | LB/WT | 81 lbs. |
| Hz | 60 | S.F. | 1.15 | Hz | 50 | S.F. | 1.15 |
| HP | 3 | RPM | 3510 | HP | 2 | RPM | 2910 |
| VOLTS | 230/460 | | | VOLTS | 190/380 | | |
| AMPS | 8.1/4.05 | | | AMPS | 6.6/3.3 | | |
| CODE | K | P.F. | 0.85 | CODE | L | P.F. | 0.80 |
| EFF | 86.5% | MIN | 86% | IE3 - | 84.2% | | |
| BRG DE | 6308 2RS | | | | | | |
| BRG ODE | 6306 2RS | | | | | | |