

# DATA SHEET

Premium Efficiency Motor: **SSPE5-12-215TC,**

**60 Hz**

WorldWide Electric Corporation

1 (800) 808-2131

Worldwideelectric.net



Document Generated: 22-Feb-2023  
Document ID:

Customer:

MOTOR INFORMATION	
HP	5
RPM	1200
Phase	3
Frequency	60
Voltage	230/460
Frame Size	215TC
Enclosure	TEFC
Degree of Protection	IP69K
Service Factor	1.15
Poles	6
Full Load Speed	1175
Insulation Class	F
Temp Rise	80°C
NEMA Code Letter	J
Duty Cycle	S1
Slip	2.08%
NEMA Design	B
Moment of Inertia	1.356 lb.ft.^2
Locked Rotor Time (Hot)	12 seconds
Sound Pressure Level	61 dB(A)
Number of Starts	12
Max Ambient Temperature	40° C
Max Elevation	1000 m.a.s.l (3300 f.a.s.l)
Mounting	F1
Rotation	Bidirectional
Area of Classification	Div.2 Class I, Gr. A,B,C&D T2B
Inverter Rating	10:1 CT/20:1 VT
Standard	NEMA MG1, UL1004
Approvals	CSA,UL,CE

EFFICIENCY/POWER FACTOR		
LOAD	EFF	P. F.
100%	89.5 %	0.78
75%	87.5 %	0.67
50%	86.0 %	0.55

TORQUE		
FULL LOAD	LRT	BDT
22.1 lb.ft.	225 %	270 %

AMPERAGE INFORMATION		
	230V	460V
Full Load Amps	14	7
Locked Rotor Amps	92	46
No Load Current	8	4
Usable at 208V		15

BEARING INFORMATION	
DE Bearing	6308 2RS
ODE Bearing	6208 2RS
Grease Type	Mobil Polyrex EM

ADDITIONAL DATA	
F2 Suitable	No
Shaft Material	304 Stainless Steel
Connection Diagram	9 Lead 2Y/Y
Approximate Weight	200 lbs.

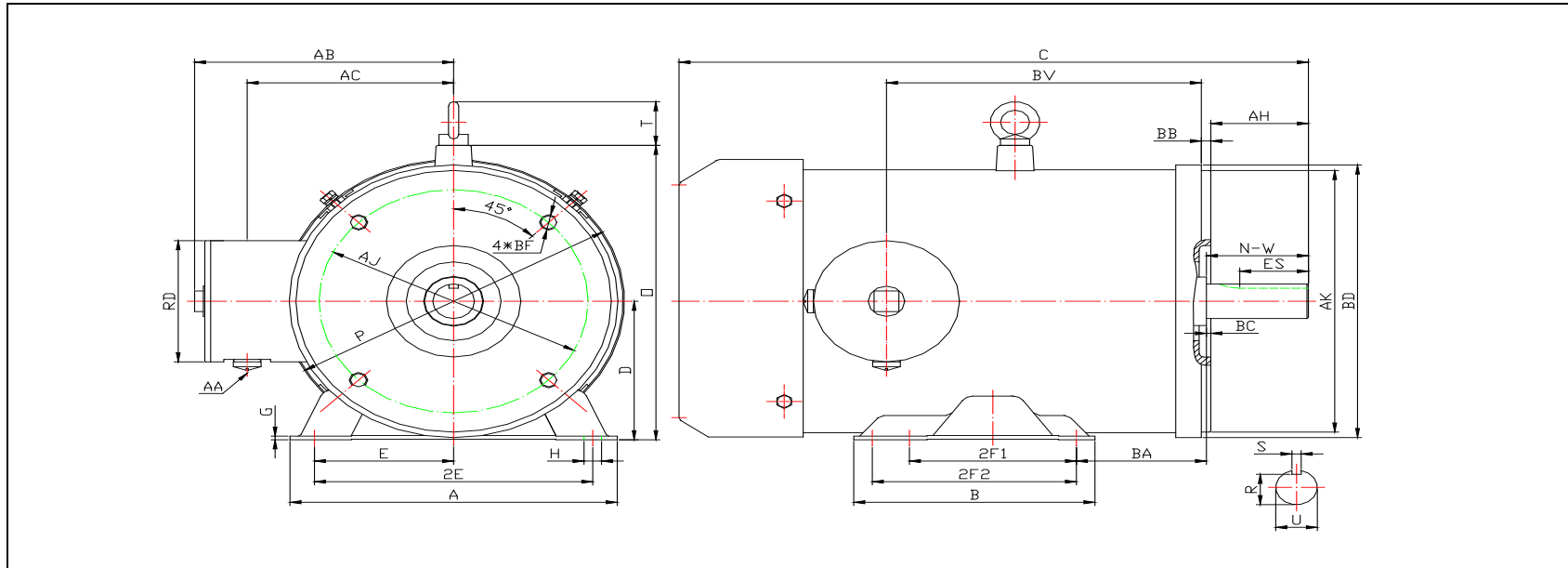
# MOTOR DRAWING

Premium Efficiency Motor: **SSPE5-12-215TC**

WorldWide Electric Corporation

1 (800) 808-2131

Worldwideelectric.net



## DIMENSION - INCHES

MOUNTING					A	B	C	D	G	P	O	T	AB
E	2F1	2F2	H	BA									
4.25	5.5	7	0.41	4.25	9.6	8.1	20.7	5.25	0.157	10.7	11.2	1.75	7.85

SHAFT & KEY					
S	ES	R	N-W	U	AH
0.312	2.41	1.201	3.38	1.375	3.12

TERMINAL BOX				
AA	AB	AC	RD	BV
1/2 NPT	7.85	6.41	3.95	11.15

FLANGE					
AK	BD	AJ	BF	BB	BC
8.5	10.08	7.25	4*1/2-13	0.25	0.25

# PERFORMANCE CURVES

Premium Efficiency Motor:

**SSPE5-12-215TC**

WorldWide Electric Corporation

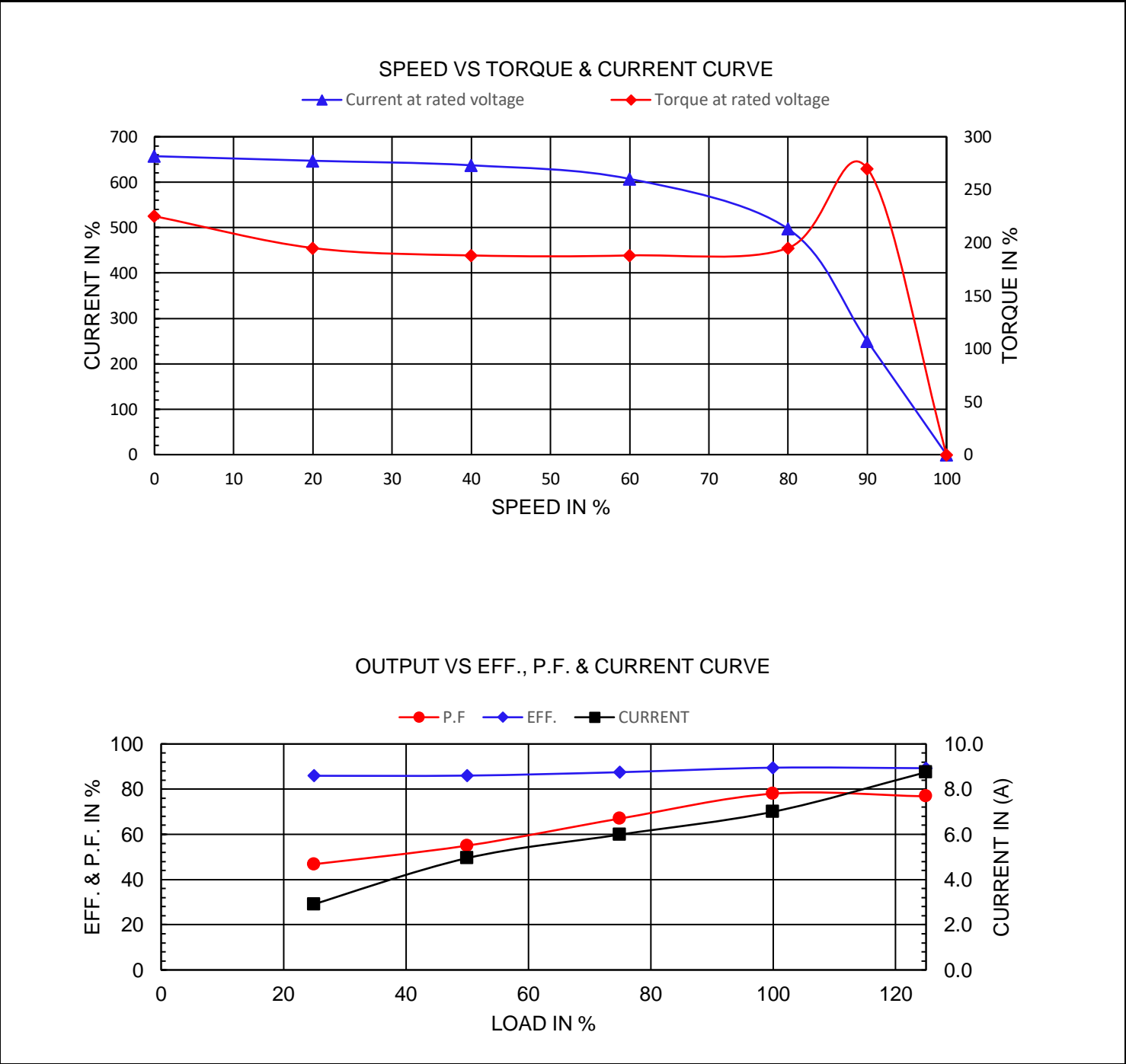
1 (800) 808-2131

Worldwideelectric.net



Document Generated: 30-Jan-2023	Customer:
Document ID:	

Motor Type	SSPE		FL Speed	1175	
Output Rating (HP)	5		LRT (%FLT)	225	460 volt FLA 7
Full Load Torque	22.1	lb.ft	BDT (%FLT)	270	230 volt FLA 14
Rotor Wk <sup>2</sup>	1.356	lb-ft <sup>2</sup>			



# NAMEPLATE / WIRING

Premium Efficiency Motor: **SSPE5-12-215TC**

WorldWide Electric Corporation

1 (800) 808-2131

Worldwideelectric.net



Document Generated: 30-Jan-2023	Customer:
Document ID:	

## SAMPLE NAMEPLATE DATA

		<b>THREE PHASE AC INDUCTION MOTOR</b> <b>INVERTER DUTY 20:1 VT 10:1 CT</b>							
Model		FRAME		IP 69K	LB/WT		<b>230V</b> 		
Hz 60	S. F. 1.15	Hz 50	S. F. 1.15	ENCL. TEFC	AMB. 40°C				
HP	RPM	HP	RPM	DUTY CONT	INS. F				
VOLTS 230/460		VOLTS 190/380		NEMA DES. B			<b>460V</b> 		
AMP		AMP		BRG DE					
CODE	P. F.	CODE	P. F.	BRG ODE					
EFF	MIN	IE3 -		NO.					
								<b>CC082A</b>	

Model	SSPE5-12-215TC			FRAME	215TC	LB/WT	200 lbs.
Hz	60	S.F.	1.15	Hz	50	S.F.	1.15
HP	5	RPM	1175	HP	3	RPM	980
VOLTS	230/460			VOLTS	190/380		
AMPS	14/7			AMPS	11/5.5		
CODE	J	P.F.	0.78	CODE	K	P.F.	0.71
EFF	89.5%	MIN	86%	IE3 -	84.3%		
BRG DE	6308 2RS						
BRG ODE	6208 2RS						