

# DATA SHEET

Premium Efficiency Motor: **SSPE5-36-184JM,**

**60 Hz**

WorldWide Electric Corporation

1 (800) 808-2131

Worldwideelectric.net



Document Generated: 14-Mar-2023  
Document ID:

Customer:

MOTOR INFORMATION	
HP	5
RPM	3600
Phase	3
Frequency	60
Voltage	230/460
Frame Size	184JM
Enclosure	TEFC
Degree of Protection	IP69K
Service Factor	1.15
Poles	2
Full Load Speed	3525
Insulation Class	F
Temp Rise	80°C
NEMA Code Letter	J
Duty Cycle	S1
Slip	2.08%
NEMA Design	B
Moment of Inertia	0.26 lb.ft.^2
Locked Rotor Time (Hot)	12 seconds
Sound Pressure Level	78 dB(A)
Number of Starts	2 Cold / 1 Hot
Max Ambient Temperature	40° C
Max Elevation	1000 m.a.s.l (3300 f.a.s.l)
Mounting	F1
Rotation	Bidirectional
Area of Classification	Div.2 Class I, Gr. A,B,C&D T2B
Inverter Rating	10:1 CT/20:1 VT
Standard	NEMA MG1, UL1004
Approvals	CSA,UL,CE

EFFICIENCY/POWER FACTOR		
LOAD	EFF	P. F.
100%	88.5 %	0.91
75%	89.0 %	0.86
50%	88.0 %	0.78

TORQUE		
FULL LOAD	LRT	BDT
7.3 lb.ft.	225 %	280 %

AMPERAGE INFORMATION		
	230V	460V
Full Load Amps	12.2	6.1
Locked Rotor Amps	92	46
No Load Current	4.4	2.2
Usable at 208V		13

BEARING INFORMATION	
DE Bearing	6308 2RS
ODE Bearing	6306 2RS
Grease Type	Mobil Polyrex EM

ADDITIONAL DATA	
F2 Suitable	No
Shaft Material	304 Stainless Steel
Connection Diagram	9 Lead 2Y/Y
Approximate Weight	95 lbs.

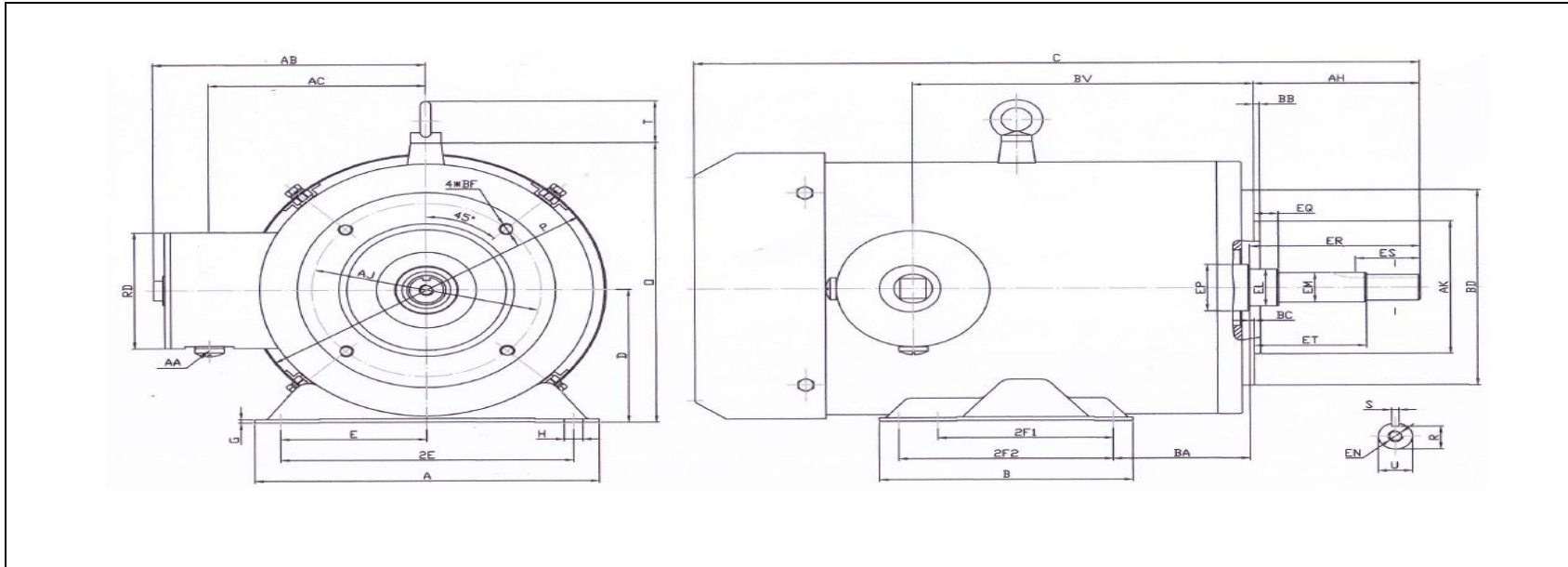
# MOTOR DRAWING

Premium Efficiency Motor: **SSPE5-36-184JM**

WorldWide Electric Corporation

1 (800) 808-2131

Worldwideelectric.net



## DIMENSION - INCHES

MOUNTING					A	B	C	D	G	P	O	T
E	2F1	2F2	H	BA								
3.75	4.5	5.5	0.71*0.47	3.5	8.8	6.5	18.58	4.5	0.118	9.25	9.55	1.45

SHAFT & KEY											
S	ES	R	AH	EQ	ET	EM	EL	EP	ER	EN	U
0.19	1.65	0.771	4.281	0.64	2.89	1	1.25	1.57	4.36	3/8-16	0.8745

FLANGE					
AK	BD	AJ	BF	BB	BC
4.5	6.6	5.875	4*3/8-16	0.156	0.12

TERMINAL BOX				
AA	AB	AC	RD	BV
1/2 NPT	7	5.55	3.95	8.75

# PERFORMANCE CURVES

Premium Efficiency Motor:

**SSPE5-36-184JM**

WorldWide Electric Corporation

1 (800) 808-2131

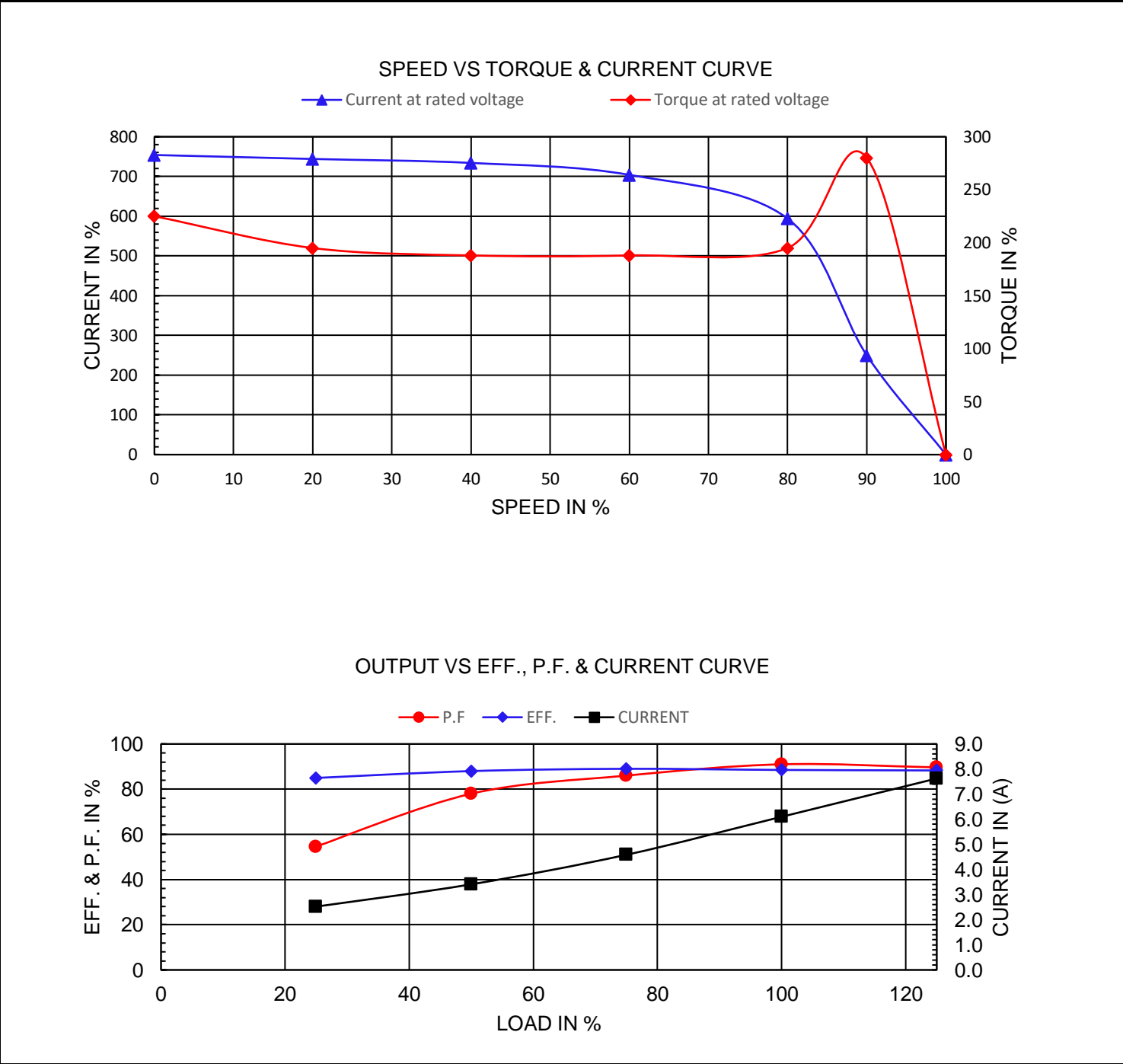
Worldwideelectric.net



Document Generated: 14-Mar-2023  
Document ID:

Customer:

Motor Type	SSPE				
Output Rating (HP)	5		FL Speed	3525	
Full Load Torque	7.3	lb.ft	LRT (%FLT)	225	460 volt FLA 6.1
Rotor Wk <sup>2</sup>	0.26	lb-ft <sup>2</sup>	BDT (%FLT)	280	230 volt FLA 12.2



# NAMEPLATE / WIRING

Premium Efficiency Motor: **SSPE5-36-184JM**

WorldWide Electric Corporation

1 (800) 808-2131

Worldwideelectric.net



Document Generated: 14-Mar-2023	Customer:
Document ID:	

## SAMPLE NAMEPLATE DATA

		<b>THREE PHASE AC INDUCTION MOTOR</b> <b>INVERTER DUTY 20:1 VT 10:1 CT</b>							
Model		FRAME		IP 69K	LB/WT		<b>230V</b> 		
Hz 60	S. F. 1.15	Hz 50	S. F. 1.15	ENCL. TEFC	AMB. 40°C				
HP	RPM	HP	RPM	DUTY CONT	INS. F				
VOLTS 230/460		VOLTS 190/380		NEMA DES. B			<b>460V</b> 		
AMP		AMP		BRG DE					
CODE	P. F.	CODE	P. F.	BRG ODE					
EFF	MIN	IE3 -		NO.					
				 C 502259 US		 E517327		<b>CC082A</b>	

Model	SSPE5-36-184JM			FRAME	184JM	LB/WT	95 lbs.
Hz	60	S.F.	1.15	Hz	50	S.F.	1.15
HP	5	RPM	3525	HP	3	RPM	2930
VOLTS	230/460			VOLTS	190/380		
AMPS	12.2/6.1			AMPS	9/4.5		
CODE	J	P.F.	0.91	CODE	K	P.F.	0.86
EFF	88.5%	MIN	88%	IE3 -	85.9%		
BRG DE	6308 2RS						
BRG ODE	6306 2RS						