

# DATA SHEET

Premium Efficiency Motor: **SSPENV1-18-56C,**

**60 Hz**

WorldWide Electric Corporation

1 (800) 808-2131

Worldwideelectric.net



Document Generated: 22-Feb-2023  
Document ID:

Customer:

| MOTOR INFORMATION       |                                |
|-------------------------|--------------------------------|
| HP                      | 1                              |
| RPM                     | 1800                           |
| Phase                   | 3                              |
| Frequency               | 60                             |
| Voltage                 | 230/460                        |
| Frame Size              | 56C                            |
| Enclosure               | TENV                           |
| Degree of Protection    | IP69K                          |
| Service Factor          | 1.15                           |
| Poles                   | 4                              |
| Full Load Speed         | 1755                           |
| Insulation Class        | F                              |
| Temp Rise               | 80°C                           |
| NEMA Code Letter        | N                              |
| Duty Cycle              | S1                             |
| Slip                    | 2.50%                          |
| NEMA Design             | B                              |
| Moment of Inertia       | 0.138 lb.ft.^2                 |
| Locked Rotor Time (Hot) | 12 seconds                     |
| Sound Pressure Level    | 59 dB(A)                       |
| Number of Starts        | 12                             |
| Max Ambient Temperature | 40° C                          |
| Max Elevation           | 1000 m.a.s.l (3300 f.a.s.l)    |
| Mounting                | F1                             |
| Rotation                | Bidirectional                  |
| Area of Classification  | Div.2 Class I, Gr. A,B,C&D T2B |
| Inverter Rating         | 10:1 CT/20:1 VT                |
| Standard                | NEMA MG1, UL1004               |
| Approvals               | CSA,UL,CE                      |

| EFFICIENCY/POWER FACTOR |        |       |
|-------------------------|--------|-------|
| LOAD                    | EFF    | P. F. |
| 100%                    | 85.5 % | 0.74  |
| 75%                     | 83.0 % | 0.66  |
| 50%                     | 78.0 % | 0.53  |

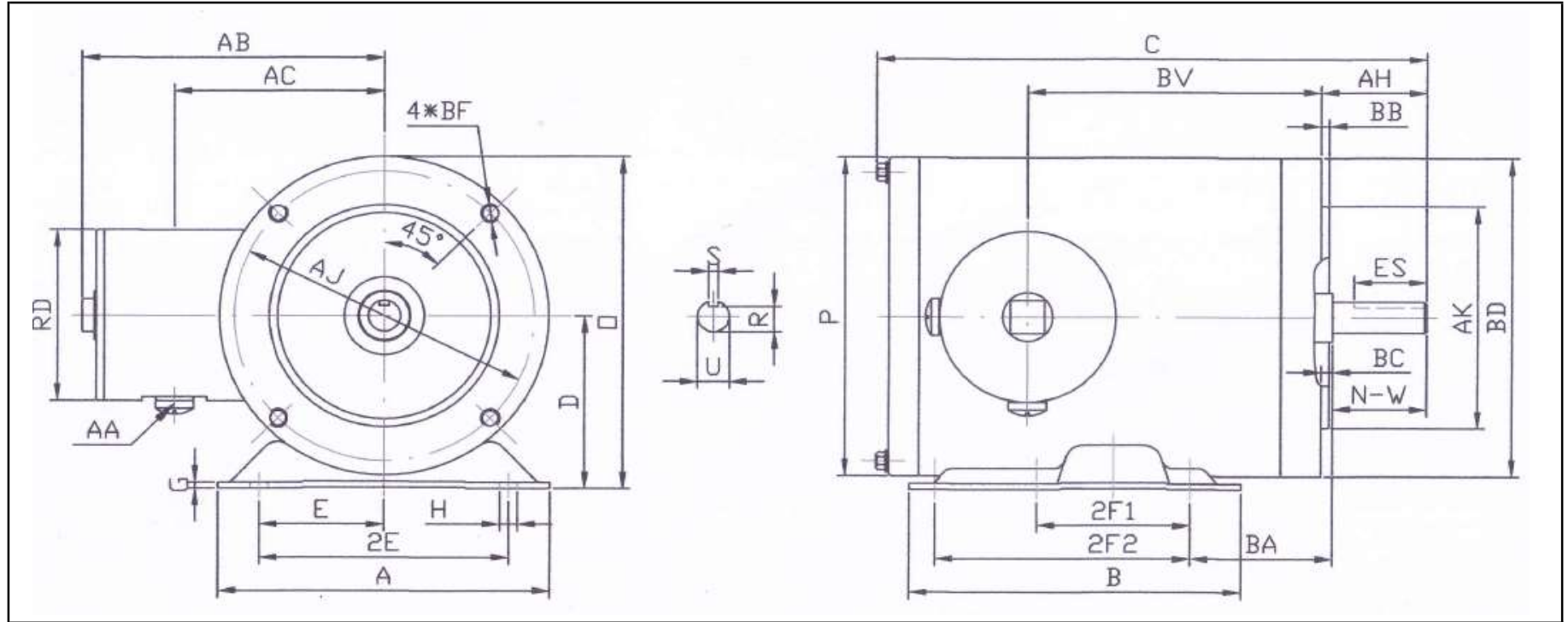
| TORQUE    |       |       |
|-----------|-------|-------|
| FULL LOAD | LRT   | BDT   |
| 3 lb.ft.  | 300 % | 400 % |

| AMPERAGE INFORMATION |      |      |
|----------------------|------|------|
|                      | 230V | 460V |
| Full Load Amps       | 3.1  | 1.55 |
| Locked Rotor Amps    | 30   | 15   |
| No Load Current      | 2    | 1    |
| Usable at 208V       |      | 3    |

| BEARING INFORMATION |                  |
|---------------------|------------------|
| DE Bearing          | 6205 2RS         |
| ODE Bearing         | 6205 2RS         |
| Grease Type         | Mobil Polyrex EM |

| ADDITIONAL DATA    |                     |
|--------------------|---------------------|
| F2 Suitable        | No                  |
| Shaft Material     | 304 Stainless Steel |
| Connection Diagram | 9 Lead 2Y/Y         |
| Approximate Weight | 42 lbs.             |

# SSPENV-56C (1 HP)



**DIMENSIONS - INCHES**

| MOUNTING |     |     |           |      | A   | B | C     | D   | G     | T  | P    | O    | BC    | AB   |
|----------|-----|-----|-----------|------|-----|---|-------|-----|-------|----|------|------|-------|------|
| E        | 2F1 | 2F2 | H         | BA   |     |   |       |     |       |    |      |      |       |      |
| 2.44     | 3   | 5   | 1.22*0.34 | 2.75 | 6.5 | 5 | 10.78 | 3.5 | 0.118 | -- | 6.45 | 6.73 | -0.19 | 5.95 |

| SHAFT & KEY |      |       |      |       |      |
|-------------|------|-------|------|-------|------|
| S           | ES   | R     | N-W  | U     | AH   |
| 0.188       | 1.41 | 0.517 | 1.88 | 0.625 | 2.06 |

| TERMINAL BOX |      |     |      |      |
|--------------|------|-----|------|------|
| AA           | AB   | AC  | RD   | BV   |
| 1/2          | 5.95 | 4.5 | 3.45 | 5.75 |

| FLANGE |      |       |           |      |
|--------|------|-------|-----------|------|
| AK     | BD   | AJ    | BF        | BB   |
| 4.5    | 6.45 | 5.875 | (4)3/8-16 | 0.16 |

# PERFORMANCE CURVES

Premium Efficiency Motor:

**SSPENV1-18-56C**

WorldWide Electric Corporation

1 (800) 808-2131

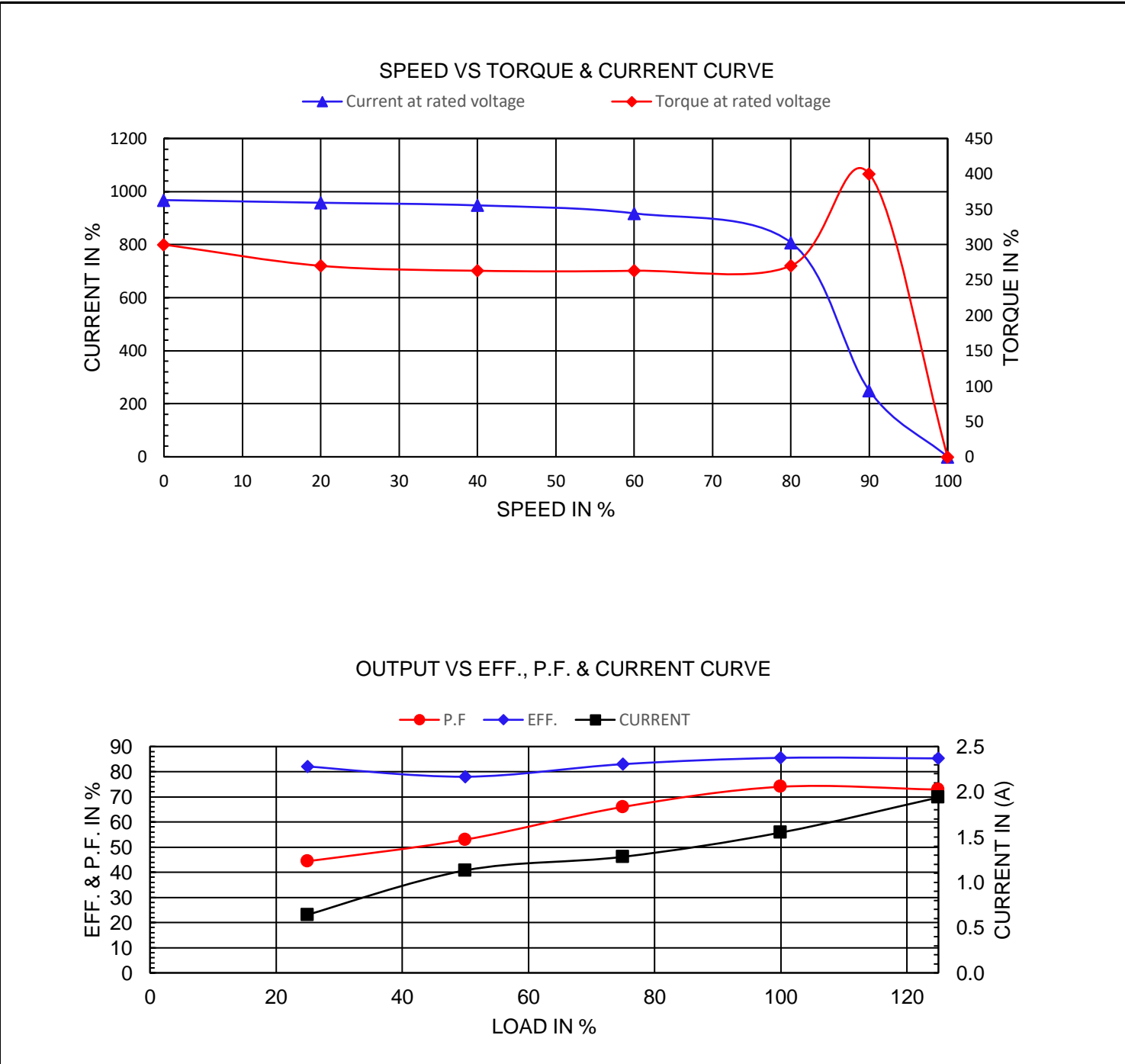
Worldwideelectric.net



Document Generated: 30-Jan-2023  
Document ID:

Customer:

|                    |       |         |            |      |                   |
|--------------------|-------|---------|------------|------|-------------------|
| Motor Type         | SSPE  |         | FL Speed   | 1755 |                   |
| Output Rating (HP) | 1     |         | LRT (%FLT) | 300  | 460 volt FLA 1.55 |
| Full Load Torque   | 3     | lb.ft   | BDT (%FLT) | 400  | 230 volt FLA 3.1  |
| Rotor Wk^2         | 0.138 | lb-ft^2 |            |      |                   |



# NAMEPLATE / WIRING

Premium Efficiency Motor: **SSPENV1-18-56C**

WorldWide Electric Corporation

1 (800) 808-2131

Worldwideelectric.net



|                                 |           |
|---------------------------------|-----------|
| Document Generated: 30-Jan-2023 | Customer: |
| Document ID:                    |           |

## SAMPLE NAMEPLATE DATA

|               |            |   |            |             |       |           |                 |                 |  |  |
|---------------|------------|---|------------|-------------|-------|-----------|-----------------|-----------------|--|--|
|               |            | <b>THREE PHASE AC INDUCTION MOTOR</b><br><b>INVERTER DUTY 20:1 VT 10:1 CT</b> |            |             |       |           |                 |                 |  |  |
| Model         |            | FRAME   |            | IP 69K      | LB/WT |           | <b>230V</b><br> |                 |  |  |
| Hz 60         | S. F. 1.15 | Hz 50   | S. F. 1.15 | ENCL. TEFC  |       | AMB. 40°C |                 |                 |  |  |
| HP            | RPM        | HP  | RPM        | DUTY CONT   |       | INS. F    |                 |                 |  |  |
| VOLTS 230/460 |            | VOLTS 190/380   |            | NEMA DES. B |       |           |                 | <b>460V</b><br> |  |  |
| AMP           |            | AMP   |            | BRG DE      |       |           |                 |                 |  |  |
| CODE          | P. F.      | CODE  | P. F.      | BRG ODE     |       |           |                 |                 |  |  |
| EFF           | MIN        | IE3 -   |            | NO.         |       |           |                 |                 |  |  |
|               |            |   |            |             |       |           |                 |                 |  |  |

|         |                |      |      |       |         |       |         |  |
|---------|----------------|------|------|-------|---------|-------|---------|--|
| Model   | SSPENV1-18-56C |      |      | FRAME | 56C     | LB/WT | 42 lbs. |  |
| Hz      | 60             | S.F. | 1.15 | Hz    | 50      | S.F.  | 1.15    |  |
| HP      | 1              | RPM  | 1755 | HP    | 3/4     | RPM   | 1460    |  |
| VOLTS   | 230/460        |      |      | VOLTS | 190/380 |       |         |  |
| AMPS    | 3.1/1.55       |      |      | AMPS  | 2.8/1.4 |       |         |  |
| CODE    | N              | P.F. | 0.74 | CODE  | N       | P.F.  | 0.74    |  |
| EFF     | 85.5%          | MIN  | 78%  | IE3 - | 80.8%   |       |         |  |
| BRG DE  | 6205 2RS       |      |      |       |         |       |         |  |
| BRG ODE | 6205 2RS       |      |      |       |         |       |         |  |