

DATA SHEET

Premium Efficiency Motor: **SSPENV1-36-56C,**

60 Hz

WorldWide Electric Corporation

1 (800) 808-2131

Worldwideelectric.net



Document Generated: 22-Feb-2023
Document ID:

Customer:

| MOTOR INFORMATION | |
|-------------------------|--------------------------------|
| HP | 1 |
| RPM | 3600 |
| Phase | 3 |
| Frequency | 60 |
| Voltage | 230/460 |
| Frame Size | 56C |
| Enclosure | TENV |
| Degree of Protection | IP69K |
| Service Factor | 1.15 |
| Poles | 2 |
| Full Load Speed | 3530 |
| Insulation Class | F |
| Temp Rise | 80°C |
| NEMA Code Letter | N |
| Duty Cycle | S1 |
| Slip | 1.94% |
| NEMA Design | B |
| Moment of Inertia | 0.072 lb.ft.^2 |
| Locked Rotor Time (Hot) | 12 seconds |
| Sound Pressure Level | 74 dB(A) |
| Number of Starts | 10 |
| Max Ambient Temperature | 40° C |
| Max Elevation | 1000 m.a.s.l (3300 f.a.s.l) |
| Mounting | F1 |
| Rotation | Bidirectional |
| Area of Classification | Div.2 Class I, Gr. A,B,C&D T2B |
| Inverter Rating | 10:1 CT/20:1 VT |
| Standard | NEMA MG1, UL1004 |
| Approvals | CSA,UL,CE |

| EFFICIENCY/POWER FACTOR | | |
|-------------------------|--------|-------|
| LOAD | EFF | P. F. |
| 100% | 80.0 % | 0.83 |
| 75% | 78.5 % | 0.76 |
| 50% | 77.0 % | 0.63 |

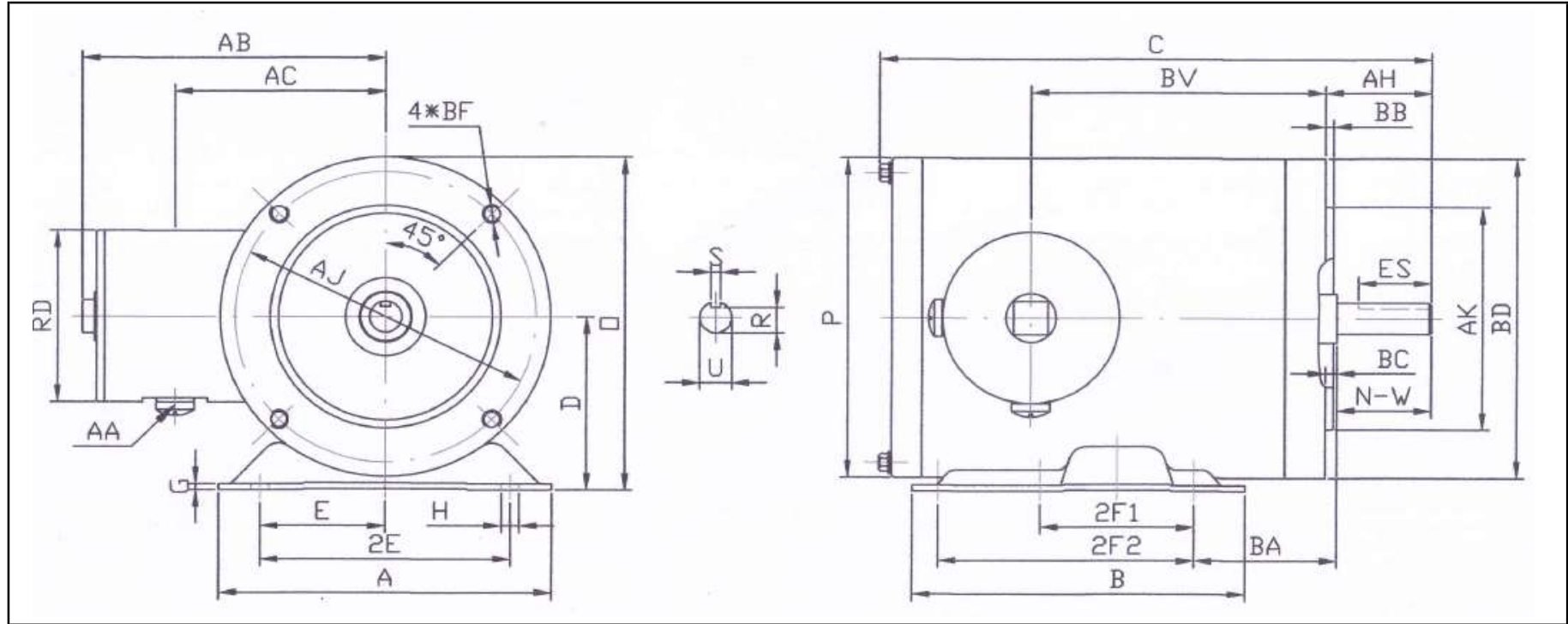
| TORQUE | | |
|------------|-------|-------|
| FULL LOAD | LRT | BDT |
| 1.5 lb.ft. | 320 % | 430 % |

| AMPERAGE INFORMATION | | |
|----------------------|------|------|
| | 230V | 460V |
| Full Load Amps | 2.8 | 1.4 |
| Locked Rotor Amps | 30 | 15 |
| No Load Current | 1.5 | 0.75 |
| Usable at 208V | | 3 |

| BEARING INFORMATION | |
|---------------------|------------------|
| DE Bearing | 6205 2RS |
| ODE Bearing | 6205 2RS |
| Grease Type | Mobil Polyrex EM |

| ADDITIONAL DATA | |
|--------------------|---------------------|
| F2 Suitable | No |
| Shaft Material | 304 Stainless Steel |
| Connection Diagram | 9 Lead 2Y/Y |
| Approximate Weight | 39 lbs. |

SSPENV-56C (1 HP)



DIMENSIONS - INCHES

| MOUNTING | | | | | A | B | C | D | G | T | P | O | BC | AB |
|----------|-----|-----|-----------|------|-----|---|-------|-----|-------|----|------|------|-------|------|
| E | 2F1 | 2F2 | H | BA | | | | | | | | | | |
| 2.44 | 3 | 5 | 1.22*0.34 | 2.75 | 6.5 | 5 | 10.78 | 3.5 | 0.118 | -- | 6.45 | 6.73 | -0.19 | 5.95 |

| SHAFT & KEY | | | | | |
|-------------|------|-------|------|-------|------|
| S | ES | R | N-W | U | AH |
| 0.188 | 1.41 | 0.517 | 1.88 | 0.625 | 2.06 |

| TERMINAL BOX | | | | |
|--------------|------|-----|------|------|
| AA | AB | AC | RD | BV |
| 1/2 | 5.95 | 4.5 | 3.45 | 5.75 |

| FLANGE | | | | |
|--------|------|-------|-----------|------|
| AK | BD | AJ | BF | BB |
| 4.5 | 6.45 | 5.875 | (4)3/8-16 | 0.16 |

PERFORMANCE CURVES

Premium Efficiency Motor:

SSPENV1-36-56C

WorldWide Electric Corporation

1 (800) 808-2131

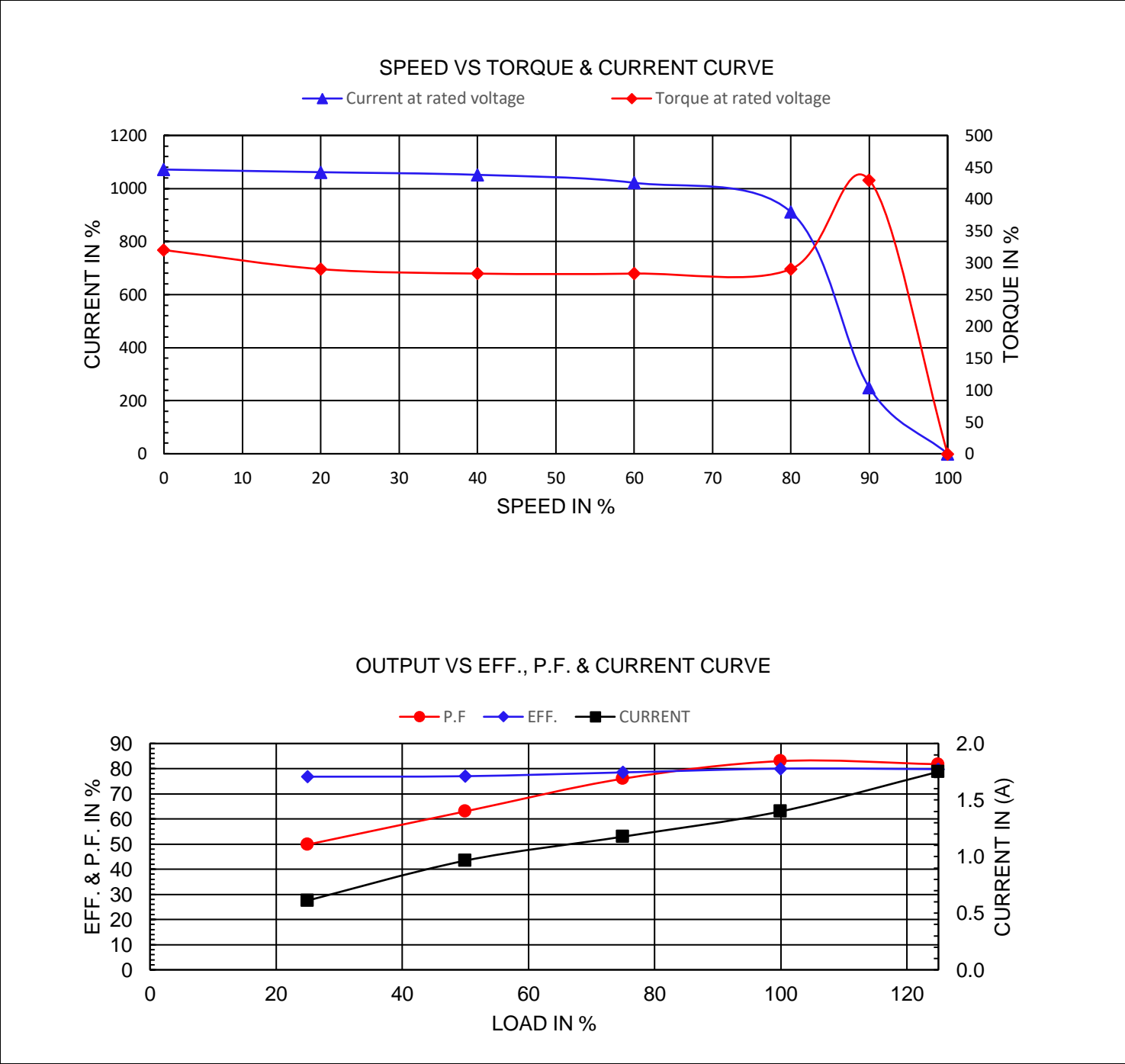
Worldwideelectric.net



Document Generated: 30-Jan-2023
Document ID:

Customer:

| | | | | | |
|-----------------------|--------------------------|------------|------|--------------|-----|
| Motor Type | SSPE | | | | |
| Output Rating (HP) | 1 | FL Speed | 3530 | | |
| Full Load Torque | 1.5 lb.ft | LRT (%FLT) | 320 | 460 volt FLA | 1.4 |
| Rotor Wk ² | 0.072 lb-ft ² | BDT (%FLT) | 430 | 230 volt FLA | 2.8 |



NAMEPLATE / WIRING

Premium Efficiency Motor: **SSPENV1-36-56C**

WorldWide Electric Corporation

1 (800) 808-2131

Worldwideelectric.net



| | |
|---------------------------------|-----------|
| Document Generated: 30-Jan-2023 | Customer: |
| Document ID: | |

SAMPLE NAMEPLATE DATA

| | | | | | | | | | | |
|---------------|------------|---|------------|-------------|-------|-----------|-----------------|--|--|--|
| | | THREE PHASE AC INDUCTION MOTOR INVERTER DUTY 20:1 VT 10:1 CT | | | | | | | | |
| Model | | FRAME | | IP 69K | LB/WT | | 230V | | | |
| Hz 60 | S. F. 1.15 | Hz 50 | S. F. 1.15 | ENCL. TEFC | | AMB. 40°C | | | | |
| HP RPM | | HP RPM | | DUTY CONT | | INS. F | | | | |
| VOLTS 230/460 | | VOLTS 190/380 | | NEMA DES. B | | | | | | |
| AMP | | AMP | | BRG DE | | | | | | |
| CODE | P. F. | CODE | P. F. | BRG ODE | | | | | | |
| EFF | MIN | IE3 - | | NO. | | | | | | |
| | | | | | | | | | | |

| | | | | | | | |
|---------|----------------|------|------|-------|---------|-------|---------|
| Model | SSPENV1-36-56C | | | FRAME | 56C | LB/WT | 39 lbs. |
| Hz | 60 | S.F. | 1.15 | Hz | 50 | S.F. | 1.15 |
| HP | 1 | RPM | 3530 | HP | 3/4 | RPM | 2915 |
| VOLTS | 230/460 | | | VOLTS | 190/380 | | |
| AMPS | 2.8/1.4 | | | AMPS | 2.4/1.2 | | |
| CODE | N | P.F. | 0.83 | CODE | N | P.F. | 0.90 |
| EFF | 80% | MIN | 77% | IE3 - | 77.8% | | |
| BRG DE | 6205 2RS | | | | | | |
| BRG ODE | 6205 2RS | | | | | | |